

(19) World Intellectual Property Organization
International Bureau



(43) International Publication Date
18 September 2008 (18.09.2008)

PCT

(10) International Publication Number
WO 2008/111967 A3

(51) International Patent Classification:
H01J 1/62 (2006.01)

(21) International Application Number:
PCT/US2007/063583

(22) International Filing Date: 8 March 2007 (08.03.2007)

(25) Filing Language: English

(26) Publication Language: English

(71) Applicant (for all designated States except US): **NANOLUMENS ACQUISITION, INC.** [US/US]; 680 Engineering Drive, Suite 180, Norcross, GA 30092 (US).

(72) Inventors; and

(75) Inventors/Applicants (for US only): **KITAI, Adrian, H.** [CA/CA]; 1612 Birchwood Drive, Mississauga, ON L5J 1T6 (CA). **ANTHONY, Deven, J.** [US/US]; 12307 Cloverstone Drive, Tampa, FL 33624 (US).

(74) Agent: **GRIFFIN III, MaIvern,U.**; Sutherland Asbill & Brennan, Llp, 999 Peachtree Street, Ne, Atlanta, GA 30309-3996 (US).

(81) Designated States (unless otherwise indicated, for every kind of national protection available): AE, AG, AL, AM,

AT, AU, AZ, BA, BB, BG, BR, BW, BY, BZ, CA, CH, CN, CO, CR, CU, CZ, DE, DK, DM, DZ, EC, EE, EG, ES, FI, GB, GD, GE, GH, GM, GT, HN, HR, HU, ID, IL, IN, IS, JP, KE, KG, KM, KN, KP, KR, KZ, LA, LC, LK, LR, LS, LT, LU, LY, MA, MD, MG, MK, MN, MW, MX, MY, MZ, NA, NG, NI, NO, NZ, OM, PG, PH, PL, PT, RO, RS, RU, SC, SD, SE, SG, SK, SL, SM, SV, SY, TJ, TM, TN, TR, TT, TZ, UA, UG, US, UZ, VC, VN, ZA, ZM, ZW.

(84) Designated States (unless otherwise indicated, for every kind of regional protection available): ARIPO (BW, GH, GM, KE, LS, MW, MZ, NA, SD, SL, SZ, TZ, UG, ZM, ZW), Eurasian (AM, AZ, BY, KG, KZ, MD, RU, TJ, TM), European (AT, BE, BG, CH, CY, CZ, DE, DK, EE, ES, FI, FR, GB, GR, HU, IE, IS, IT, LT, LU, LV, MC, MT, NL, PL, PT, RO, SE, SI, SK, TR), OAPI (BF, BJ, CF, CG, CI, CM, GA, GN, GQ, GW, ML, MR, NE, SN, TD, TG).

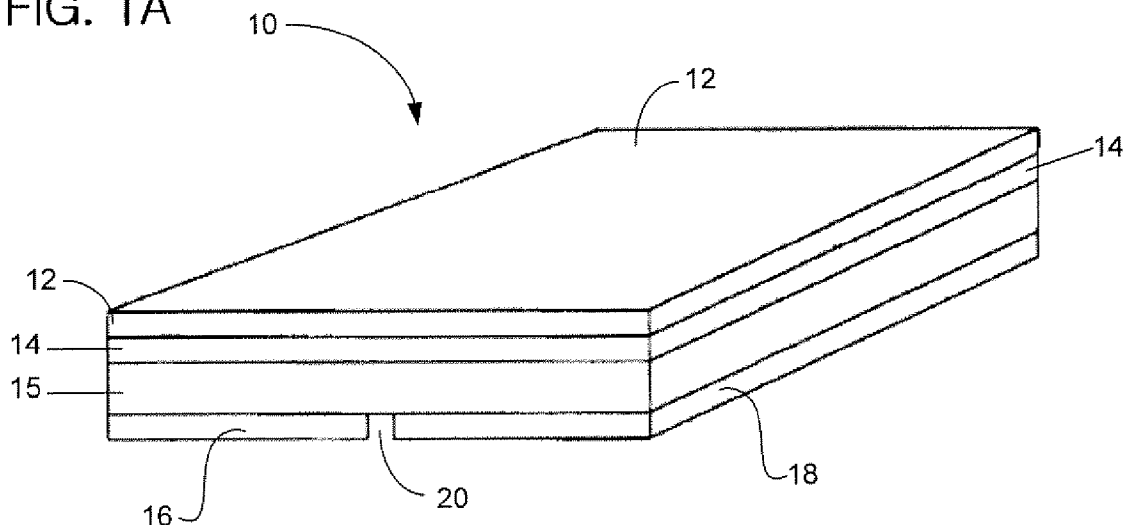
Published:

- with international search report
- before the expiration of the time limit for amending the claims and to be republished in the event of receipt of amendments

(88) Date of publication of the international search report:
6 November 2008

(54) Title: ELECTROLUMINESCENT NIXELS AND ELEMENTS WITH SINGLE-SIDED ELECTRICAL CONTACTS

FIG. 1A



(57) Abstract: Electroluminescent display element including a dielectric layer (15), a top conductive layer (12), a phosphor layer (14), and a bottom conductive layer in forms of a first bottom electrode (16) and a second bottom electrode (18) is disclosed.

WO 2008/111967 A3

INTERNATIONAL SEARCH REPORT

International application No.

PCT/US07/63583

A. CLASSIFICATION OF SUBJECT MATTER

IPC: **H01J 1/62**(2006.01)

USPC: 313/498,506,509

According to International Patent Classification (IPC) or to both national classification and IPC

B. FIELDS SEARCHED

Minimum documentation searched (classification system followed by classification symbols)

U.S. : 313/498, 506, 509

Documentation searched other than minimum documentation to the extent that such documents are included in the fields searched

None

Electronic data base consulted during the international search (name of data base and, where practicable, search terms used)

None

C. DOCUMENTS CONSIDERED TO BE RELEVANT

Category *	Citation of document, with indication, where appropriate, of the relevant passages	Relevant to claim No.
X --- Y	US 5,679,472 (Wu et al) 21 October (21.10.1997), figure 1. Figure 1.	1-2,4-6,14-24 ----- 3, 7-13, 25-41

Further documents are listed in the continuation of Box C.

See patent family annex.

Special categories of cited documents:	Symbol	Description
"A" document defining the general state of the art which is not considered to be of particular relevance	"T"	later document published after the international filing date or priority date and not in conflict with the application but cited to understand the principle or theory underlying the invention
"E" earlier application or patent published on or after the international filing date	"X"	document of particular relevance; the claimed invention cannot be considered novel or cannot be considered to involve an inventive step when the document is taken alone
"L" document which may throw doubts on priority claim(s) or which is cited to establish the publication date of another citation or other special reason (as specified)	"Y"	document of particular relevance; the claimed invention cannot be considered to involve an inventive step when the document is combined with one or more other such documents, such combination being obvious to a person skilled in the art
"O" document referring to an oral disclosure, use, exhibition or other means	"&"	document member of the same patent family
"P" document published prior to the international filing date but later than the priority date claimed		

Date of the actual completion of the international search

10 August 2008 (10.08.2008)

Date of mailing of the international search report

25 AUG 2008

Name and mailing address of the ISA/US

Mail Stop PCT, Attn: ISA/US
Commissioner for Patents
P.O. Box 1450
Alexandria, Virginia 22313-1450

Facsimile No. (571) 273-3201

Authorized officer

Vip Patel

Telephone No. (571) 272-1750

