

United States Patent [19]

Riehm

[11] Patent Number: Des. 293,167

[45] Date of Patent: ** Dec. 15, 1987

[54] INFANT SEAT

[75] Inventor: Merry S. Riehm, E. Aurora, N.Y.

[73] Assignee: The Quaker Oats Company, Chicago, Ill.

[**] Term: 14 Years

[21] Appl. No.: 762,128

[22] Filed: Aug. 2, 1985

[52] U.S. Cl. D6/333; D6/348

[58] Field of Search D6/333, 344, 347, 348;
297/250, 253, 257, 273, 279, 327

[56] References Cited

U.S. PATENT DOCUMENTS

D. 210,276 2/1968 Hamilton et al. D6/333
D. 246,682 12/1977 Nakao D6/333 X

D. 253,204 10/1979 Rymes D6/333
D. 254,699 4/1980 Nakao et al. D6/333 X
D. 289,465 4/1987 Wise D6/333
4,231,612 11/1980 Mecker 297/250

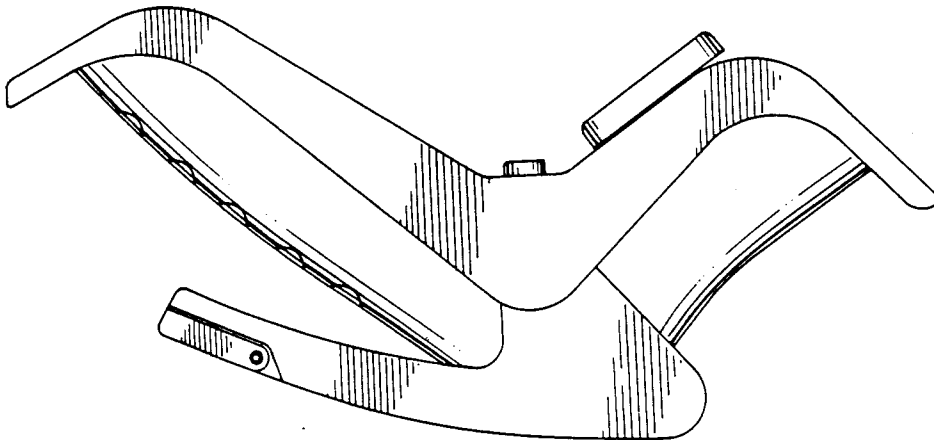
Primary Examiner—Bruce W. Dunkins
Attorney, Agent, or Firm—Cumpston & Shaw

[57] CLAIM

The ornamental design for a infant seat, substantially as shown and described.

DESCRIPTION

FIG. 1 is a front elevational view of an infant seat showing my new design;
FIG. 2 is a rear elevational view thereof;
FIG. 3 is a right side elevational view, the left side being substantially a mirror image thereof; and
FIG. 4 is a top plan view thereof.



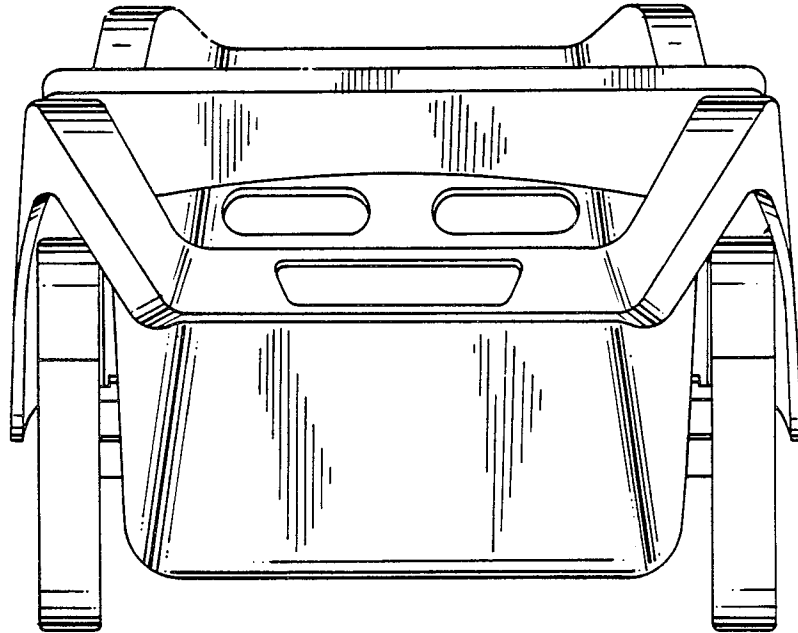


FIG. 1

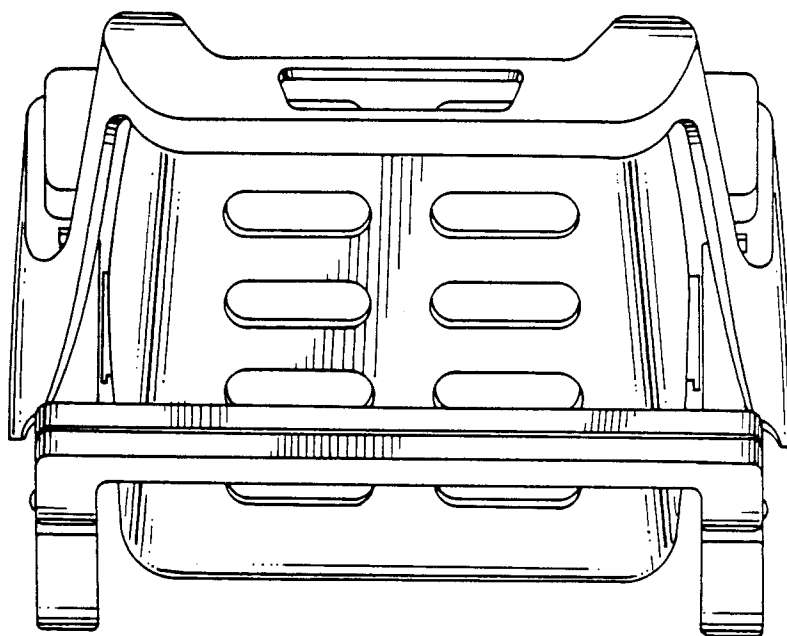


FIG. 2

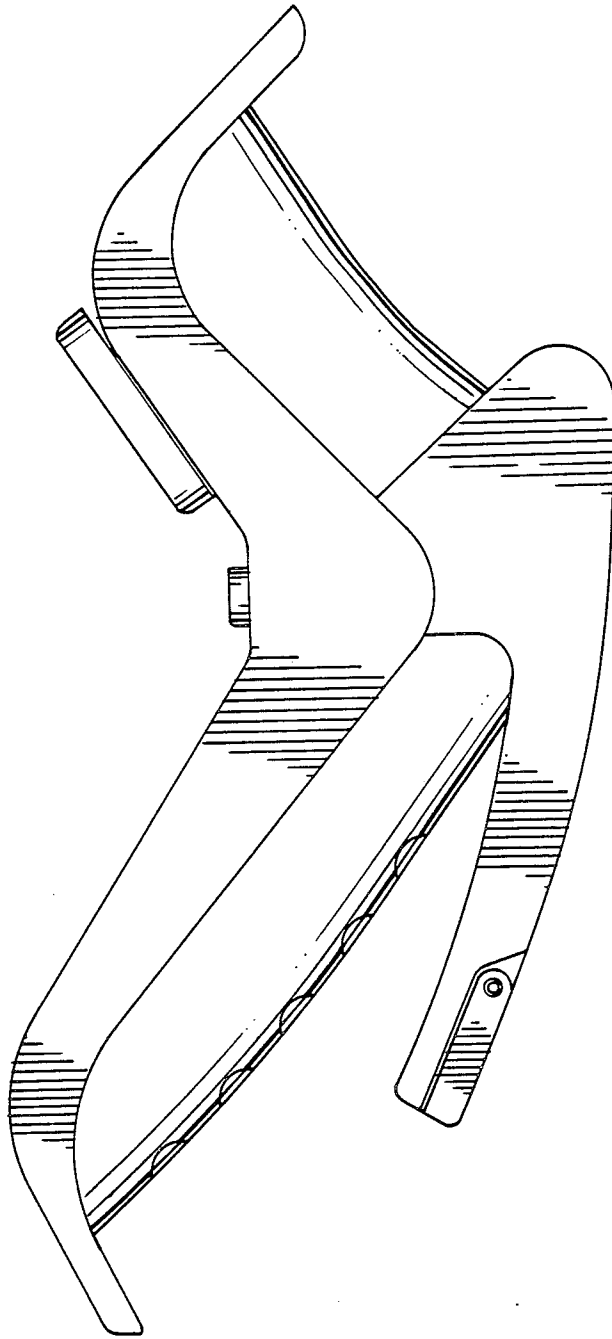


FIG. 3

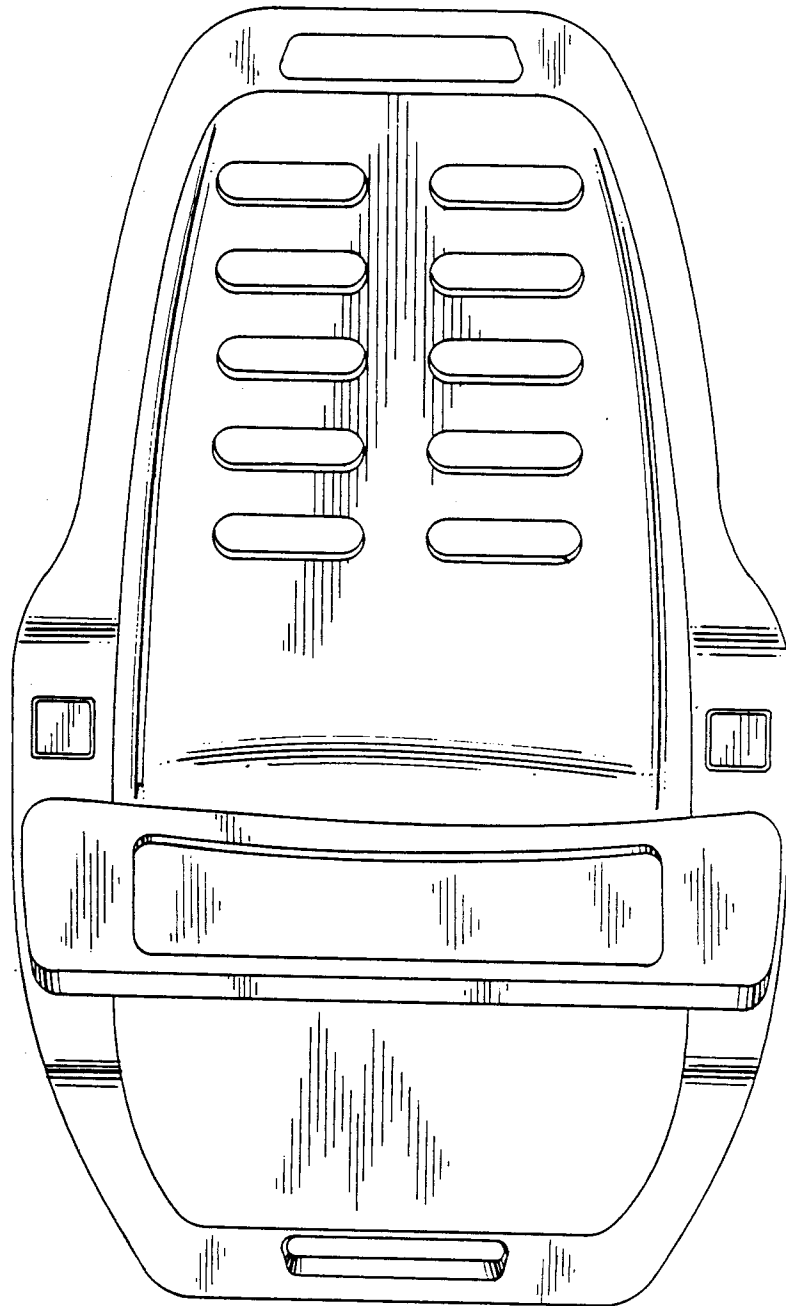


FIG. 4