



US00D528809S

(12) **United States Design Patent**  
**Chen**

(10) **Patent No.:** **US D528,809 S**

(45) **Date of Patent:** **\*\* Sep. 26, 2006**

(54) **CHAIR**

(75) Inventor: **Leo Chen**, Chiayi Hsien (TW)

(73) Assignee: **JRA Century Furniture Industry Co., Ltd.**, Chiayi Hsien (TW)

(\*\*) Term: **14 Years**

(21) Appl. No.: **29/254,499**

(22) Filed: **Feb. 24, 2006**

(51) **LOC (8) Cl.** ..... **06-01**

(52) **U.S. Cl.** ..... **D6/360; D6/375**

(58) **Field of Classification Search** ..... D6/334-335,  
D6/358, 360, 365, 369, 370, 375, 376, 379,  
D6/380, 500-502; 297/445.1, 446.1, 263.1,  
297/264.1, 285

See application file for complete search history.

(56) **References Cited**

**U.S. PATENT DOCUMENTS**

D232,879 S	*	9/1974	Samhammer	.....	D6/360
D407,571 S	*	4/1999	Parmar	.....	D6/376
D429,424 S	*	8/2000	Vanderminden, Sr.	.....	D6/375
D431,728 S	*	10/2000	Bell	.....	D6/375
D438,397 S	*	3/2001	Pluer	.....	D6/375

D482,541 S	*	11/2003	Pluer	.....	D6/375
D482,542 S	*	11/2003	Pluer	.....	D6/375
D482,886 S	*	12/2003	Varshney et al.	.....	D6/375
D489,543 S	*	5/2004	Homestead	.....	D6/375
D496,172 S	*	9/2004	Pluer	.....	D6/376
D497,491 S	*	10/2004	Pluer	.....	D6/376
D517,339 S	*	3/2006	Tseng	.....	D6/376

\* cited by examiner

*Primary Examiner*—Mimosa De

(74) *Attorney, Agent, or Firm*—Fitzpatrick, Cella, Harper & Scinto

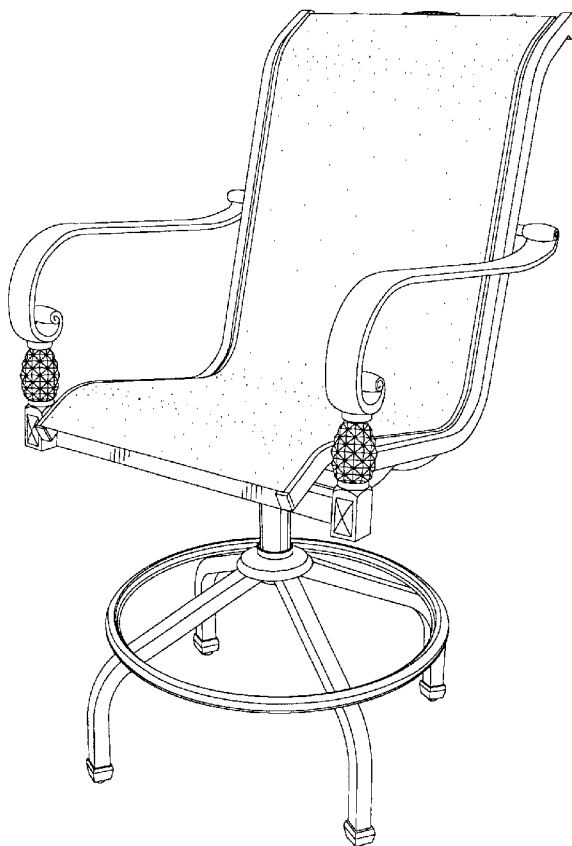
(57) **CLAIM**

The ornamental design for chair, as shown and described.

**DESCRIPTION**

FIG. 1 is a perspective view of chair showing my new design;  
 FIG. 2 is a front elevational view thereof;  
 FIG. 3 is a rear elevational view thereof;  
 FIG. 4 is a left side elevational view thereof;  
 FIG. 5 is a right side elevational view thereof;  
 FIG. 6 is a top plan view thereof; and,  
 FIG. 7 is a bottom plan view thereof.

**1 Claim, 4 Drawing Sheets**



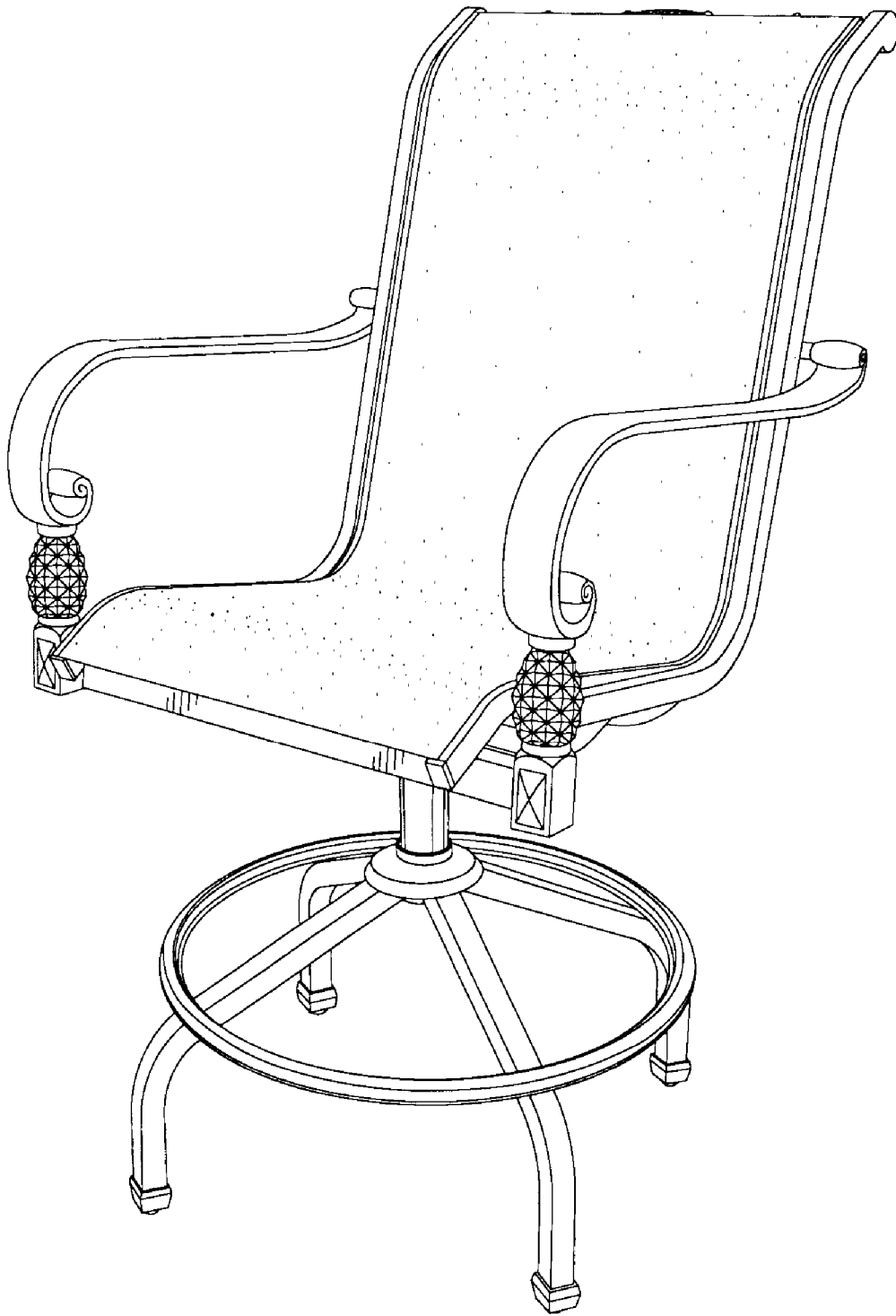


FIG. 1

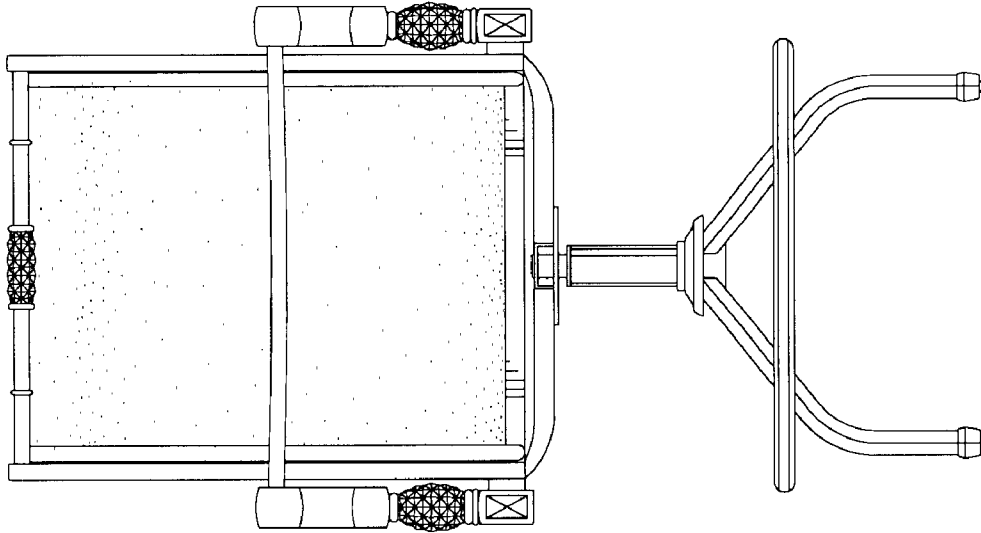


FIG. 3

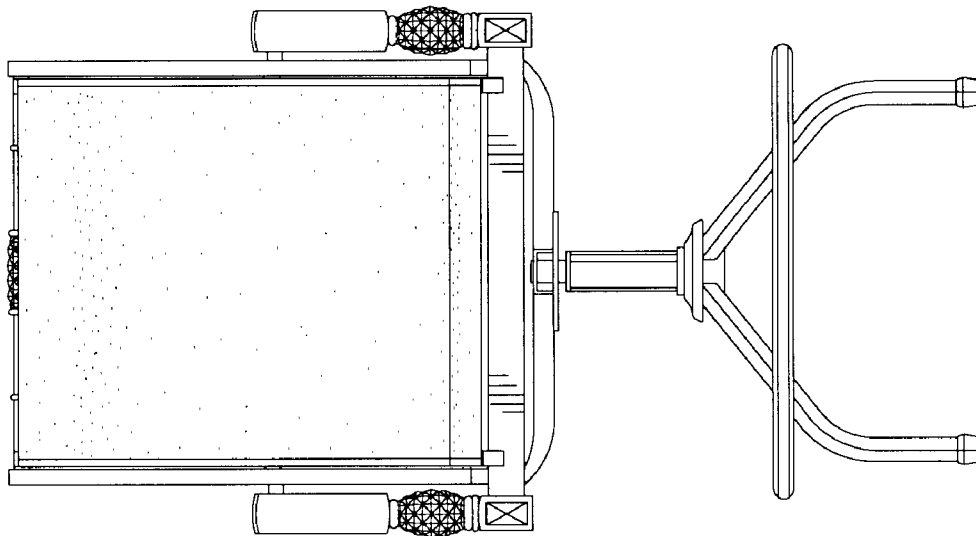


FIG. 2

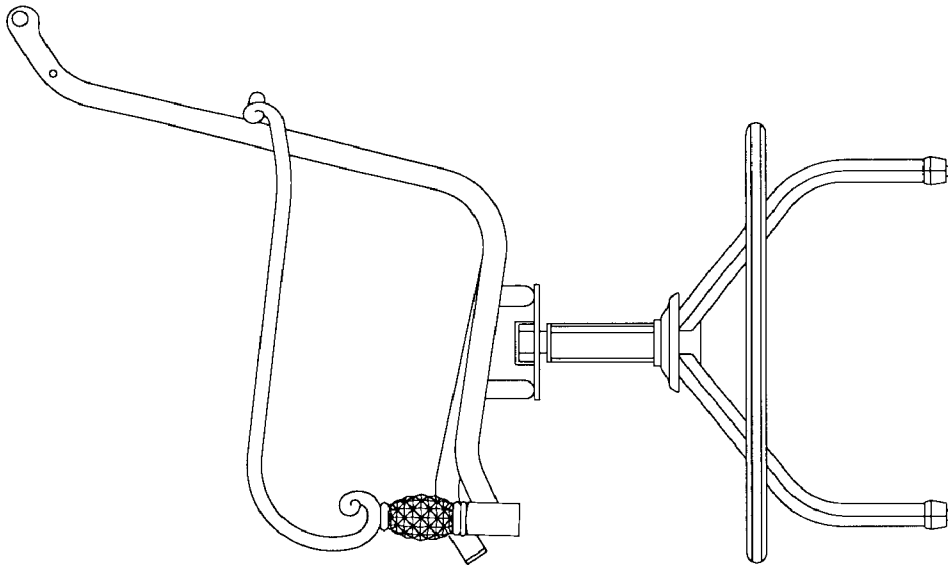


FIG. 5

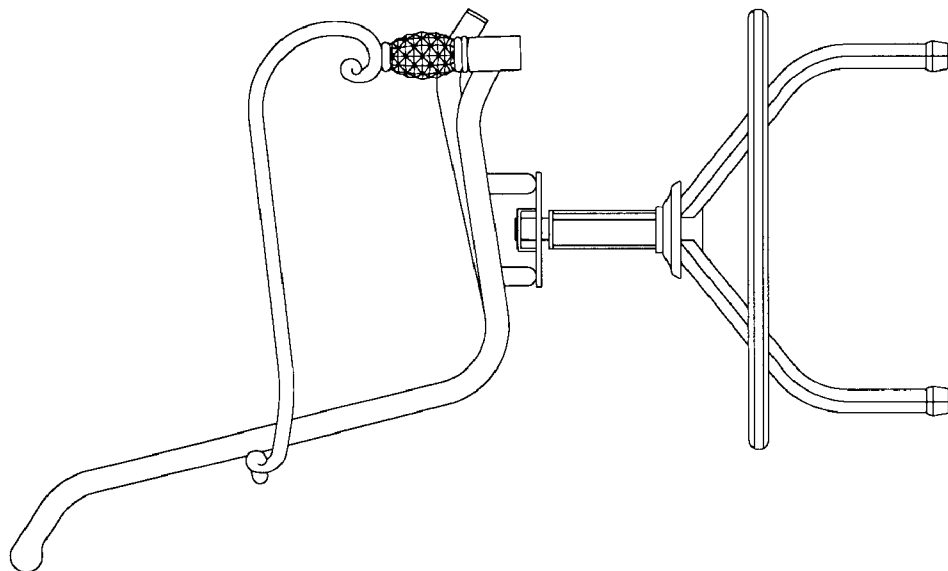


FIG. 4

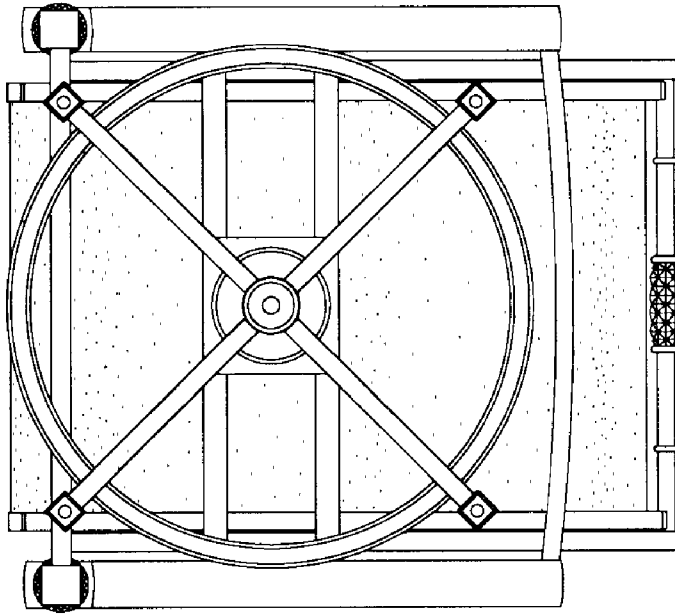


FIG. 7

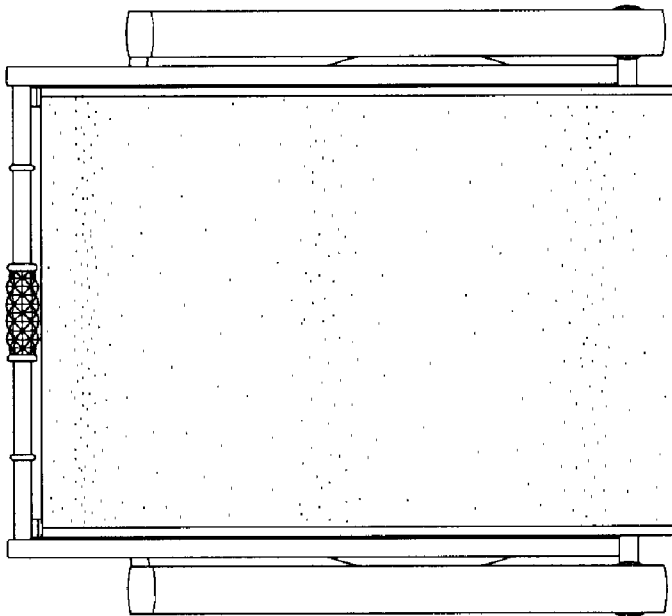


FIG. 6