

(19) World Intellectual Property Organization
International Bureau



(43) International Publication Date
27 December 2007 (27.12.2007)

PCT

(10) International Publication Number
WO 2007/149443 A3

(51) International Patent Classification:
B65G 67/20 (2006.01) B65G 69/00 (2006.01)

(21) International Application Number:
PCT/US2007/014291

(22) International Filing Date: 18 June 2007 (18.06.2007)

(25) Filing Language: English

(26) Publication Language: English

(30) Priority Data:
11/424,846 16 June 2006 (16.06.2006) US

(71) Applicant (for all designated States except US): **FASTEK, INC.** [US/US]; P.O. Box 3793, Rancho Cucamonga, CA 91729 (US).

(72) Inventor; and

(75) Inventor/Applicant (for US only): **FRANKEL, Nathan** [US/US]; P.O. Box 3793, Rancho Cucamonga, CA 91729 (US).

(74) Agent: **BRUEGGEMANN, James, R.**; Sheppard Mullin Richter & Hampton LLP, 333 South Hope Street, 48th Floor, Los Angeles, CA 90071 (US).

(81) Designated States (unless otherwise indicated, for every kind of national protection available): AE, AG, AL, AM, AT, AU, AZ, BA, BB, BG, BH, BR, BW, BY, BZ, CA, CH, CN, CO, CR, CU, CZ, DE, DK, DM, DO, DZ, EC, EE, EG, ES, FI, GB, GD, GE, GH, GM, GT, HN, HR, HU, ID, IL, IN, IS, JP, KE, KG, KM, KN, KP, KR, KZ, LA, LC, LK, LR, LS, LT, LU, LY, MA, MD, ME, MG, MK, MN, MW, MX, MY, MZ, NA, NG, NI, NO, NZ, OM, PG, PH, PL, PT, RO, RS, RU, SC, SD, SE, SG, SK, SL, SM, SV, SY, TJ, TM, TN, TR, TT, TZ, UA, UG, US, UZ, VC, VN, ZA, ZM, ZW.

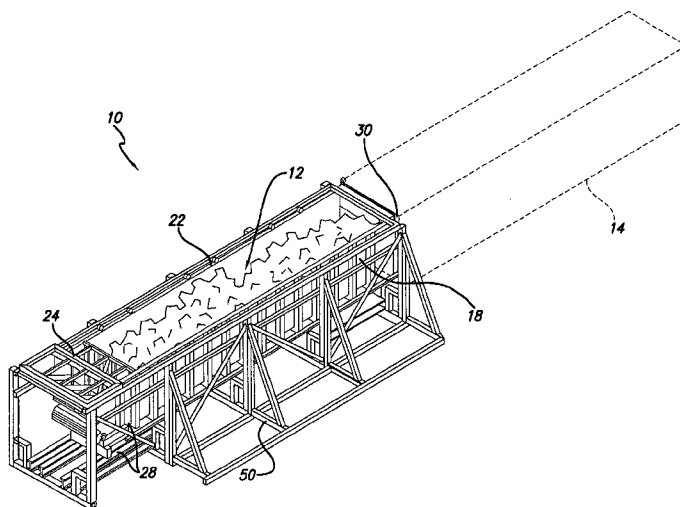
(84) Designated States (unless otherwise indicated, for every kind of regional protection available): ARIPO (BW, GH, GM, KE, LS, MW, MZ, NA, SD, SL, SZ, TZ, UG, ZM, ZW), Eurasian (AM, AZ, BY, KG, KZ, MD, RU, TJ, TM), European (AT, BE, BG, CH, CY, CZ, DE, DK, EE, ES, FI, FR, GB, GR, HU, IE, IS, IT, LT, LU, LV, MC, MT, NL, PL, PT, RO, SE, SI, SK, TR), OAPI (BF, BJ, CF, CG, CI, CM, GA, GN, GQ, GW, ML, MR, NE, SN, TD, TG).

Published:

- with international search report
- before the expiration of the time limit for amending the claims and to be republished in the event of receipt of amendments

(88) Date of publication of the international search report:
6 March 2008

(54) Title: **LOADING ASSEMBLY FOR TRANSPORT CONTAINERS AND RELATED METHOD OF USE**



(57) **Abstract:** A container support assembly is also provided that facilitate alignments and stable support of the container throughout loading. In use, a load bin of the loading assembly is inserted and retracted relative to the container by a drive mechanism. The barrier assembly confines the contents of the load bin in the container while the bin is retracted, allowing the contents of the bin to remain within the container upon removal of the bin. The container support assembly includes left and right ramps (112) disposed along side the container. The ramps (112) each include a support surface (124, 125) having an increasing height differential with reference to the ground from the distal end to the proximal end. The support assembly further includes an interface assembly configured to attach to the container and to engage the support surfaces of the left and the right ramps (112) to distribute load onto the ramps. Thus, with the container properly positioned, a substantial portion of the container's load is borne by the ramps (112).



WO 2007/149443 A3

INTERNATIONAL SEARCH REPORT

International application No
PCT/US2007/014291A. CLASSIFICATION OF SUBJECT MATTER
INV. B65G67/20 B65G69/00

According to International Patent Classification (IPC) or to both national classification and IPC

B. FIELDS SEARCHED

Minimum documentation searched (classification system followed by classification symbols)
B65G

Documentation searched other than minimum documentation to the extent that such documents are included in the fields searched

Electronic data base consulted during the international search (name of data base and, where practical, search terms used)

EPO-Internal

C. DOCUMENTS CONSIDERED TO BE RELEVANT

Category*	Citation of document, with indication, where appropriate, of the relevant passages	Relevant to claim No.
A	US 2006/078410 A1 (FRANKEL NATHAN [US]) 13 April 2006 (2006-04-13) cited in the application the whole document	1
X	DE 26 35 268 A1 (HANNAN & SONS NOMINEES PTY) 9 February 1978 (1978-02-09) claims 1,3; figures	6-10
X	DE 19 27 654 A1 (BHS BAYERISCHE BERG) 10 December 1970 (1970-12-10) page 6, paragraph 2; figures	6-10
X	DE 35 30 321 A1 (TALBOT WAGGONFAB [DE]) 5 March 1987 (1987-03-05) column 5, line 6 - line 12; figures	6-10
	----- -/--	

 Further documents are listed in the continuation of Box C. See patent family annex.

* Special categories of cited documents :

- *A* document defining the general state of the art which is not considered to be of particular relevance
- *E* earlier document but published on or after the international filing date
- *L* document which may throw doubts on priority claim(s) or which is cited to establish the publication date of another citation or other special reason (as specified)
- *O* document referring to an oral disclosure, use, exhibition or other means
- *P* document published prior to the international filing date but later than the priority date claimed

- *T* later document published after the international filing date or priority date and not in conflict with the application but cited to understand the principle or theory underlying the invention
- *X* document of particular relevance; the claimed invention cannot be considered novel or cannot be considered to involve an inventive step when the document is taken alone
- *Y* document of particular relevance; the claimed invention cannot be considered to involve an inventive step when the document is combined with one or more other such documents, such combination being obvious to a person skilled in the art.
- * & * document member of the same patent family

Date of the actual completion of the international search

9 January 2008

Date of mailing of the international search report

18/01/2008

Name and mailing address of the ISA/

European Patent Office, P.B. 5818 Patentlaan 2
NL - 2280 HV Rijswijk
Tel. (+31-70) 340-2040, Tx. 31 651 epo nl,
Fax: (+31-70) 340-3016

Authorized officer

Schneider, Marc

INTERNATIONAL SEARCH REPORT

International application No
PCT/US2007/014291

C(Continuation). DOCUMENTS CONSIDERED TO BE RELEVANT		
Category*	Citation of document, with indication, where appropriate, of the relevant passages	Relevant to claim No.
X	WO 83/00320 A (COMBA PTY LTD [AU]) 3 February 1983 (1983-02-03) page 4, paragraph 3 - page 5, paragraph 1; figures -----	6
A	US 2 711 835 A (KAPPEN JOHN W) 28 June 1955 (1955-06-28) column 5, line 46 - line 72; figures -----	6
A	EP 1 321 398 A (ALFRED ARNOLD VERLADESYSTEME [DE]) 25 June 2003 (2003-06-25) abstract; figures 1-3 -----	6

FURTHER INFORMATION CONTINUED FROM PCT/ISA/ 210

Continuation of Box II.2

Claims Nos.: 11-41

The present application contains 41 claims, of which 7 are independent. There is no clear distinction between the independent claims because of overlapping scope. There are so many claims, and they are drafted in such a way that the claims as a whole are not in compliance with the provisions of clarity and conciseness of Article 6 PCT, as it is particularly burdensome for a skilled person to establish the subject-matter for which protection is sought. The non-compliance with the substantive provisions is to such an extent, that the search was performed taking into consideration the non-compliance in determining the extent of the search (PCT Guidelines 9.19 and 9.25).

The search was based on the subject-matter that, as far as can be understood, could reasonably be expected to be claimed later in the procedure, namely the subject-matter of claims 1-10. Based on the US patent application US 2006/0078410, which has been cited in the present application and discloses a loading assembly, the container support of claims 6-10 and the subject-matter of claims 1-5 representing the combination of such a container support and the loading assembly of US 2006/0078410, seem to cover reasonably the expected subject-matter.

The applicant's attention is drawn to the fact that claims relating to inventions in respect of which no international search report has been established need not be the subject of an international preliminary examination (Rule 66.1(e) PCT). The applicant is advised that the EPO policy when acting as an International Preliminary Examining Authority is normally not to carry out a preliminary examination on matter which has not been searched. This is the case irrespective of whether or not the claims are amended following receipt of the search report or during any Chapter II procedure. If the application proceeds into the regional phase before the EPO, the applicant is reminded that a search may be carried out during examination before the EPO (see EPO Guideline C-VI, 8.2), should the problems which led to the Article 17(2)PCT declaration be overcome.

INTERNATIONAL SEARCH REPORT

International application No.
PCT/US2007/014291

Box No. II Observations where certain claims were found unsearchable (Continuation of item 2 of first sheet)

This international search report has not been established in respect of certain claims under Article 17(2)(a) for the following reasons:

1. Claims Nos.:
because they relate to subject matter not required to be searched by this Authority, namely:

2. Claims Nos.: 11-41
because they relate to parts of the international application that do not comply with the prescribed requirements to such an extent that no meaningful international search can be carried out, specifically:
see FURTHER INFORMATION sheet PCT/ISA/210

3. Claims Nos.:
because they are dependent claims and are not drafted in accordance with the second and third sentences of Rule 6.4(a).

Box No. III Observations where unity of invention is lacking (Continuation of item 3 of first sheet)

This International Searching Authority found multiple inventions in this international application, as follows:

1. As all required additional search fees were timely paid by the applicant, this international search report covers allsearchable claims.

2. As all searchable claims could be searched without effort justifying an additional fees, this Authority did not invite payment of additional fees.

3. As only some of the required additional search fees were timely paid by the applicant, this international search report covers only those claims for which fees were paid, specifically claims Nos.:

4. No required additional search fees were timely paid by the applicant. Consequently, this international search report is restricted to the invention first mentioned in the claims; it is covered by claims Nos.:

Remark on Protest

- The additional search fees were accompanied by the applicant's protest and, where applicable, the payment of a protest fee.
- The additional search fees were accompanied by the applicant's protest but the applicable protest fee was not paid within the time limit specified in the invitation.
- No protest accompanied the payment of additional search fees.

INTERNATIONAL SEARCH REPORT

Information on patent family members

International application No
PCT/US2007/014291

Patent document cited in search report	Publication date	Patent family member(s)	Publication date
US 2006078410	A1	13-04-2006	
		AU 2005295868 A1	27-04-2006
		CA 2590327 A1	27-04-2006
		EP 1799599 A1	27-06-2007
		KR 20070085302 A	27-08-2007
		WO 2006044371 A1	27-04-2006

DE 2635268	A1	09-02-1978	NONE

DE 1927654	A1	10-12-1970	NONE

DE 3530321	A1	05-03-1987	NONE

WO 8300320	A	03-02-1983	
		EP 0083608 A1	20-07-1983
		ZA 8204989 A	25-05-1983

US 2711835	A	28-06-1955	NONE

EP 1321398	A	25-06-2003	
		DE 10164052 A1	03-07-2003
