



US00D446540B1

(12) **United States Design Patent** (10) **Patent No.:** **US D446,540 S**  
**Elliott** (45) **Date of Patent:** **\*\* Aug. 14, 2001**

(54) **CAPO** 4,793,234 \* 12/1988 Geis ..... 84/318

(76) Inventor: **Phill Elliott**, 7110 Alissa, Rowlett, TX  
(US) 75089

\* cited by examiner

(\*\*) Term: **14 Years**

*Primary Examiner*—Adir Aronovich  
(74) *Attorney, Agent, or Firm*—Christopher A. Holland;  
Robert J. Veal; Burr & Forman LLP

(21) Appl. No.: **29/130,418**

(57) **CLAIM**

(22) Filed: **Oct. 2, 2000**

The ornamental design for a capo, as shown and described.

(51) **LOC (7) Cl.** ..... **17-03**

**DESCRIPTION**

(52) **U.S. Cl.** ..... **D17/20; 84/318**

FIG. 1 is a front view of the capo showing my new design;

(58) **Field of Search** ..... D17/20, 21, 99;

FIG. 2 is an isometric view with closed arm;

84/317-319

FIG. 3 is an isometric view with opened arm;

(56) **References Cited**

FIG. 4 is a top view;

**U.S. PATENT DOCUMENTS**

FIG. 5 is a bottom view;

D. 257,988 \* 1/1981 Nakamoto ..... D17/20

FIG. 6 is a left side view; and,

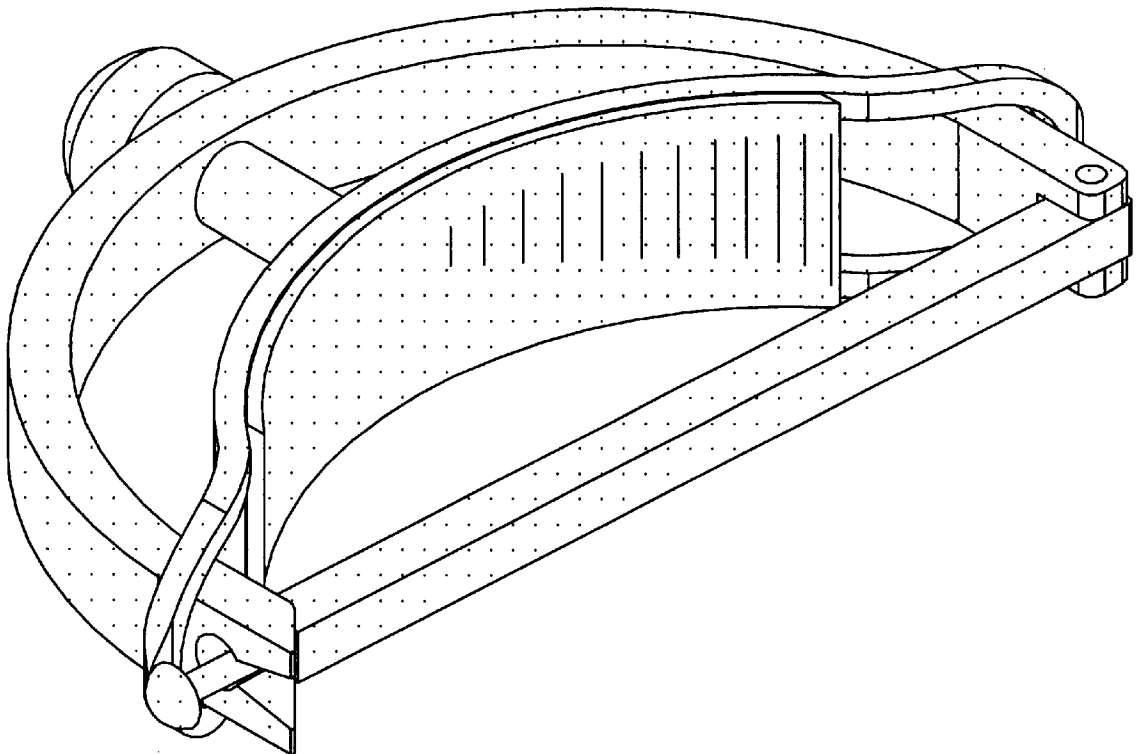
3,823,247 \* 7/1974 Bauerfeind ..... 84/318

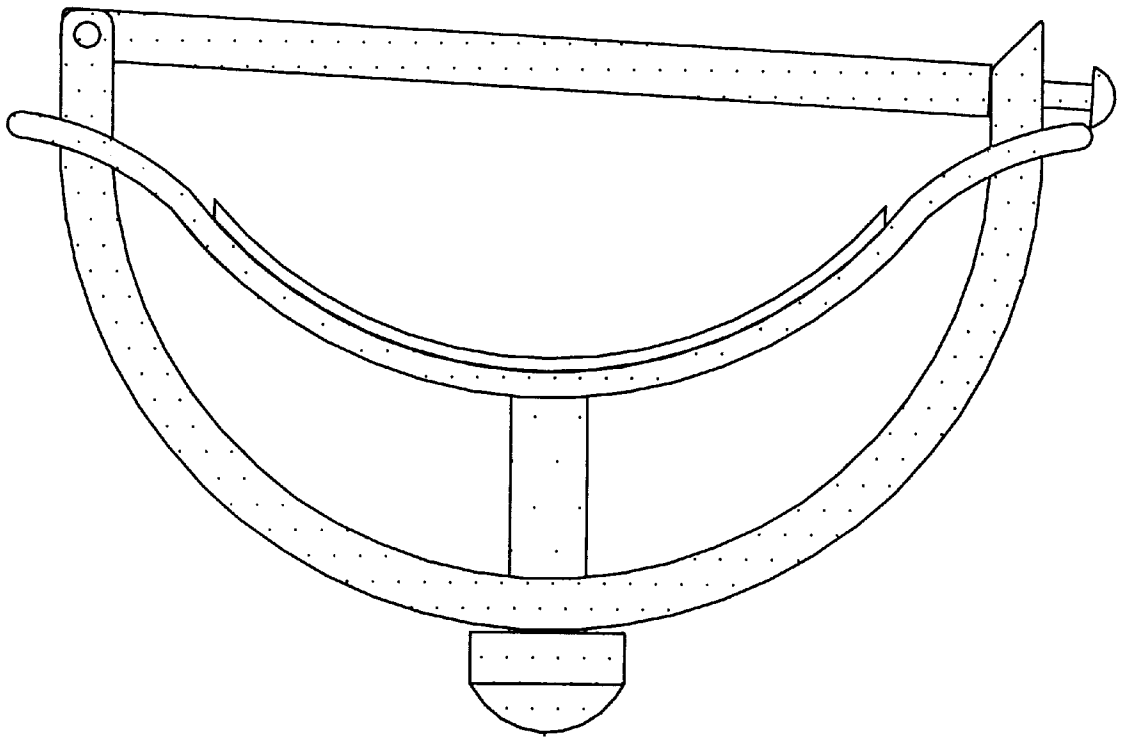
FIG. 7 is a right side view.

4,048,894 \* 9/1977 Myerson et al. .... 84/318

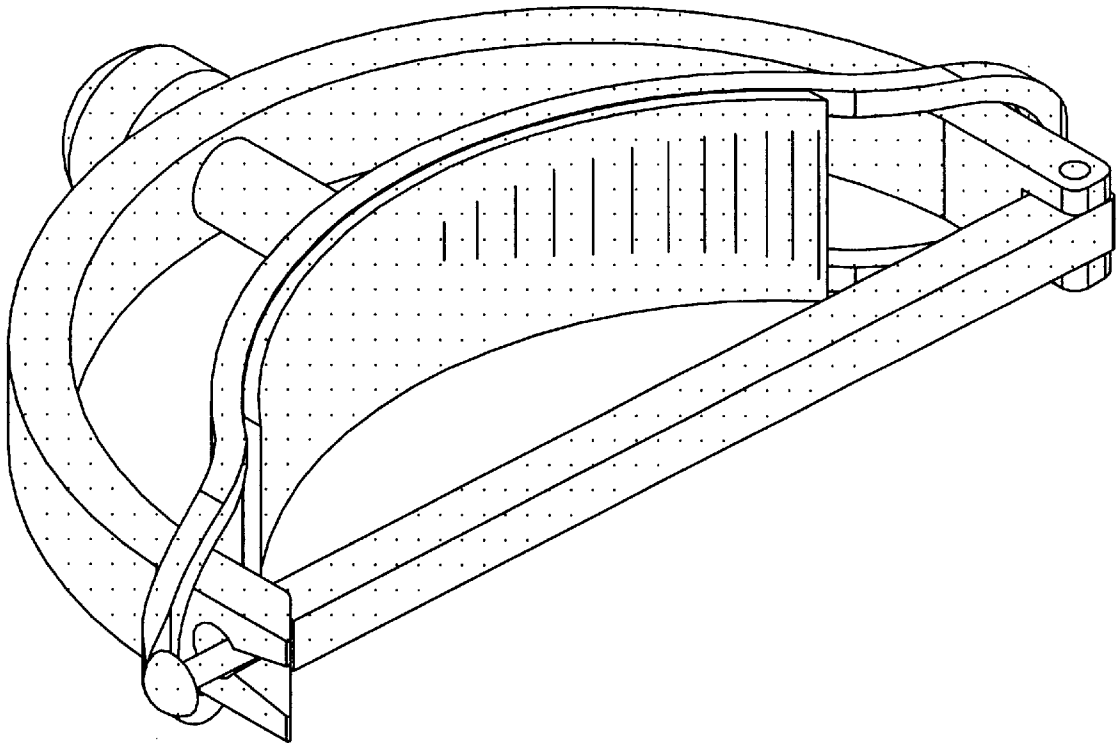
**1 Claim, 7 Drawing Sheets**

4,149,443 \* 4/1979 Bringe ..... 84/318

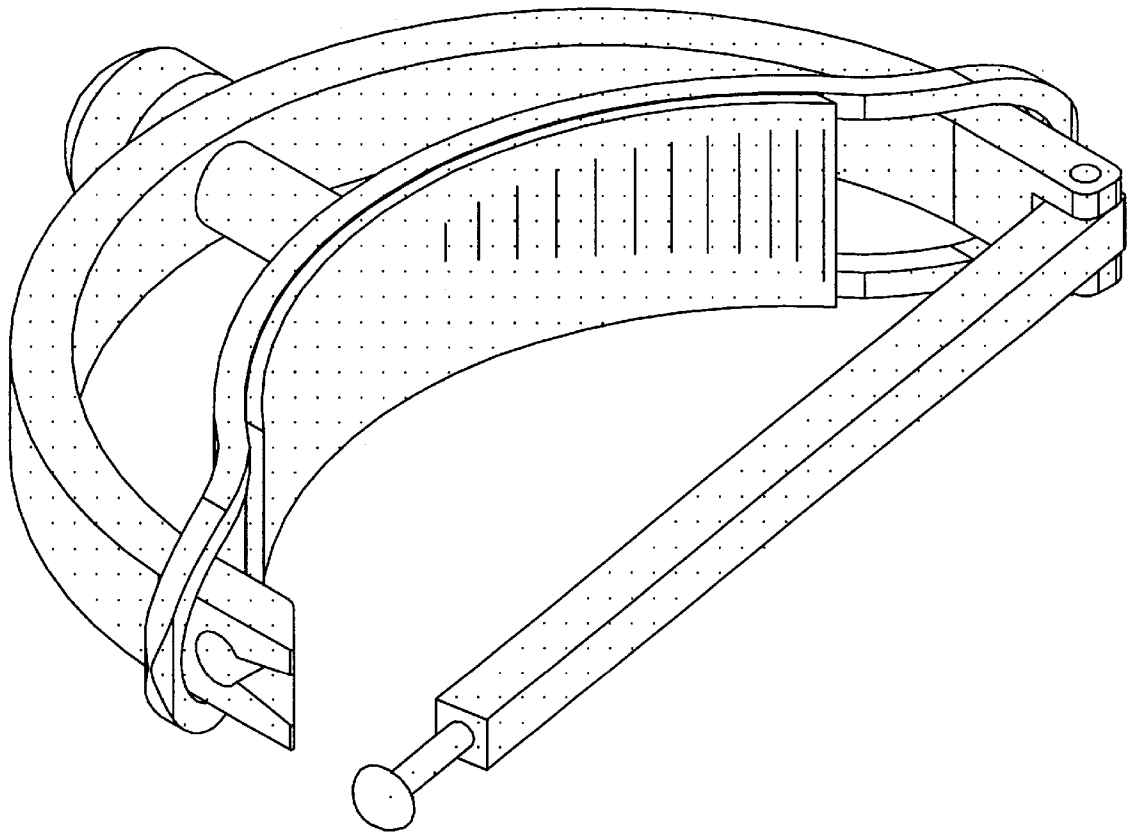




**FIG. 1**



**FIG. 2**



**FIG. 3**

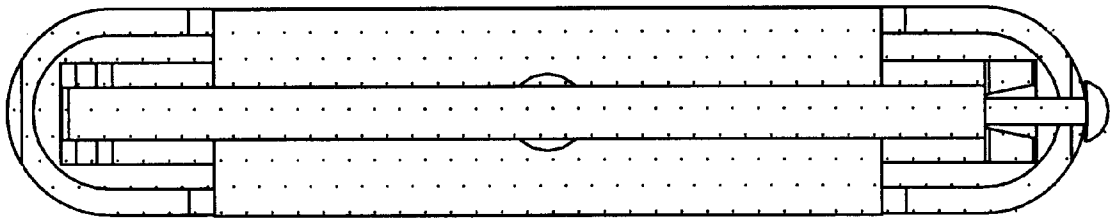


FIG. 4

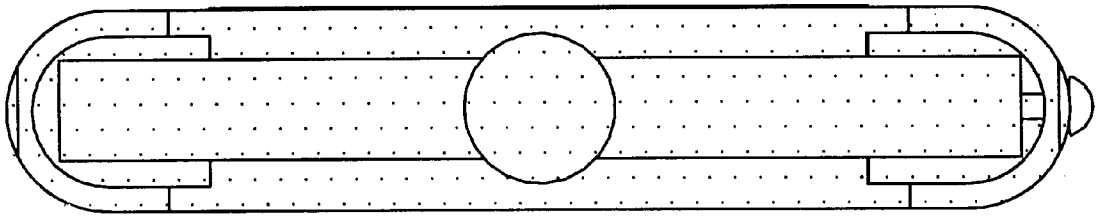
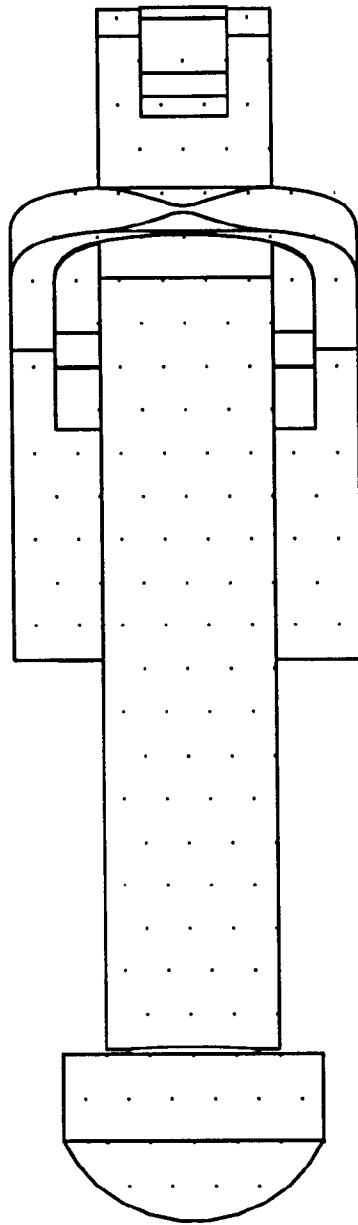
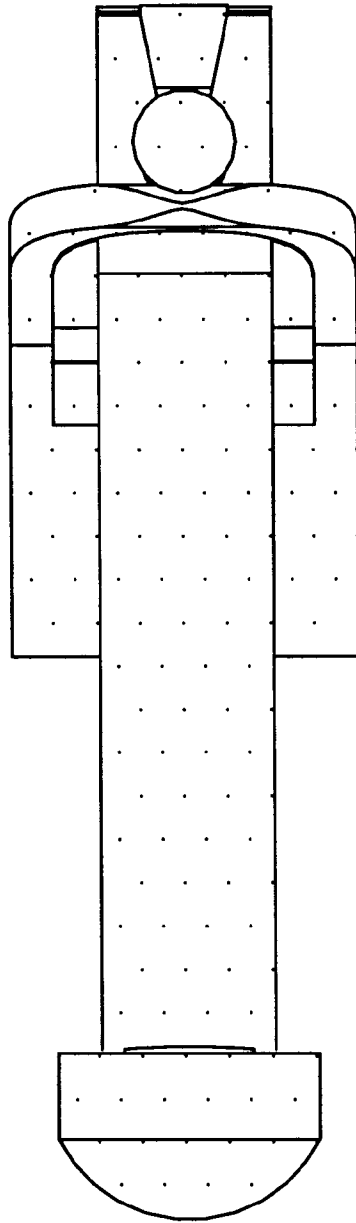


FIG. 5



**FIG. 6**



**FIG. 7**