

(19) World Intellectual Property Organization
International Bureau



(43) International Publication Date
2 November 2006 (02.11.2006)

PCT

(10) International Publication Number
WO 2006/116332 A3

(51) International Patent Classification:
B28B 3/02 (2006.01) **B28B 13/02** (2006.01)

(21) International Application Number:
PCT/US2006/015508

(22) International Filing Date: 21 April 2006 (21.04.2006)

(25) Filing Language: English

(26) Publication Language: English

(30) Priority Data:
11/111,656 21 April 2005 (21.04.2005) US

(71) Applicants (for all designated States except US): **CALSTONE** [US/US]; 1155 Aster Avenue, Sunnyvale, CA 94086 (US). **REKERS GMBH MASCHINEN-UND ANLAGENBAU** [DE/DE]; Postfach 1165, 48478 Spelle (DE).

(72) Inventors; and

(75) Inventors/Applicants (for US only): **MOREY, Matthew, K.** [US/US]; 5 Helen Place, Menlo Park, CA 94025 (US). **GROSSI, James** [US/US]; 10902 South Hiway 33, Gustine, CA 95322 (US). **VAN BAARSEL, Robert** [NL/NL]; Verlegde Kerkeboslaan 32, NL-2244 BW Wassenaar (NL). **KEMP, Arjan** [NL/NL]; Oldenzaalsestraat 549, NL-7558 PW Hengelo (NL). **VEERKAMP, Bernhard** [DE/DE]; Neuer Ring 16, 48480 Spelle (DE).

(74) Agent: **MARCUS, Brian, I.**; VIERRA MAGEN MARCUS & DENIRO LLP, 575 Market Street, Suite 2500, San Francisco, CA 94105 (US).

(81) Designated States (unless otherwise indicated, for every kind of national protection available): AE, AG, AL, AM, AT, AU, AZ, BA, BB, BG, BR, BW, BY, BZ, CA, CH, CN, CO, CR, CU, CZ, DE, DK, DM, DZ, EC, EE, EG, ES, FI, GB, GD, GE, GH, GM, HR, HU, ID, IL, IN, IS, JP, KE, KG, KM, KN, KP, KR, KZ, LC, LK, LR, LS, LT, LU, LV, LY, MA, MD, MG, MK, MN, MW, MX, MZ, NA, NG, NI, NO, NZ, OM, PG, PH, PL, PT, RO, RU, SC, SD, SE, SG, SK, SL, SM, SY, TJ, TM, TN, TR, TT, TZ, UA, UG, US, UZ, VC, VN, YU, ZA, ZM, ZW.

(84) Designated States (unless otherwise indicated, for every kind of regional protection available): ARIPO (BW, GH, GM, KE, LS, MW, MZ, NA, SD, SL, SZ, TZ, UG, ZM, ZW), Eurasian (AM, AZ, BY, KG, KZ, MD, RU, TJ, TM), European (AT, BE, BG, CH, CY, CZ, DE, DK, EE, ES, FI, FR, GB, GR, HU, IE, IS, IT, LT, LU, LV, MC, NL, PL, PT, RO, SE, SI, SK, TR), OAPI (BF, BJ, CF, CG, CI, CM, GA, GN, GQ, GW, ML, MR, NE, SN, TD, TG).

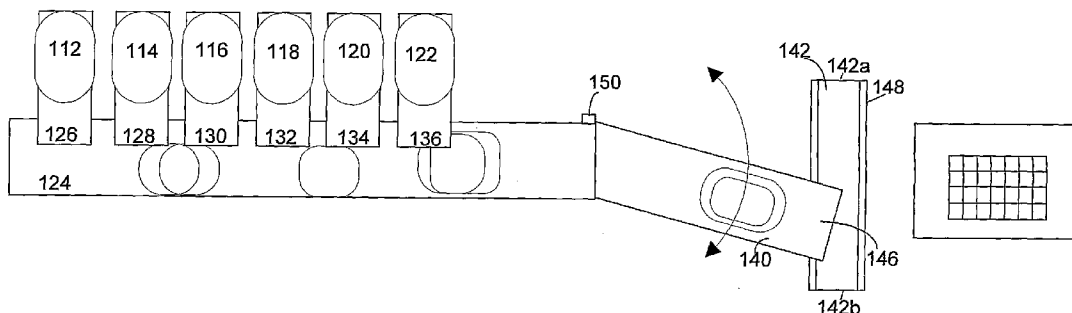
Published:

- with international search report
- before the expiration of the time limit for amending the claims and to be republished in the event of receipt of amendments

(88) Date of publication of the international search report:
16 August 2007

For two-letter codes and other abbreviations, refer to the "Guidance Notes on Codes and Abbreviations" appearing at the beginning of each regular issue of the PCT Gazette.

(54) Title: METHOD AND APPARATUS FOR HIGHLY CONTROLLED COLOR DISTRIBUTION IN MASS PRODUCED CONCRETE PRODUCTS



(57) Abstract: A method and apparatus for highly controlled color composition and distribution within the face mix of semi-dry concrete mix paving stones.

WO 2006/116332 A3

INTERNATIONAL SEARCH REPORT

International application No.
PCT/US06/15508

A. CLASSIFICATION OF SUBJECT MATTER
IPC: B28B 3/02(2006.01),13/02(2006.01)

USPC: 366/8,16,41,152.1,153.2;425/130,260,448
According to International Patent Classification (IPC) or to both national classification and IPC

B. FIELDS SEARCHED

Minimum documentation searched (classification system followed by classification symbols)
U.S. : 366/8,16,41,152.1,153.2;425/130,260,448

Documentation searched other than minimum documentation to the extent that such documents are included in the fields searched

Electronic data base consulted during the international search (name of data base and, where practicable, search terms used)

C. DOCUMENTS CONSIDERED TO BE RELEVANT

Category *	Citation of document, with indication, where appropriate, of the relevant passages	Relevant to claim No.
X --- Y	US 2003/0198122 A1 (JOHNSON) 23 October 2003 (23.10.2003), figs. 2-4, paragraphs [0028] to [0052].	1-7,26-28 ----- 16-25
Y	US 4,265,609 A (KITAHARA) 5 May 1981 (05.05.1981), figs. 1-6; cols. 2-4.	16-21
Y	US 3,216,464 A (HORST) 9 November 1965 (09.11.1965), fig. 1A, col. 6.	22-25

Further documents are listed in the continuation of Box C.

See patent family annex.

* Special categories of cited documents:	
"A" document defining the general state of the art which is not considered to be of particular relevance	"T" later document published after the international filing date or priority date and not in conflict with the application but cited to understand the principle or theory underlying the invention
"E" earlier application or patent published on or after the international filing date	"X" document of particular relevance; the claimed invention cannot be considered novel or cannot be considered to involve an inventive step when the document is taken alone
"L" document which may throw doubts on priority claim(s) or which is cited to establish the publication date of another citation or other special reason (as specified)	"Y" document of particular relevance; the claimed invention cannot be considered to involve an inventive step when the document is combined with one or more other such documents, such combination being obvious to a person skilled in the art
"O" document referring to an oral disclosure, use, exhibition or other means	
"P" document published prior to the international filing date but later than the priority date claimed	"&" document member of the same patent family

Date of the actual completion of the international search
11 June 2007 (11.06.2007)

Date of mailing of the international search report
18 JUN 2007

Name and mailing address of the ISA/US
Mail Stop PCT, Attn: ISA/US
Commissioner for Patents
P.O. Box 1450
Alexandria, Virginia 22313-1450
Facsimile No. (571) 273-3201

Authorized officer
Gupta Yogendra
Telephone No. (571) 272-0987
DEBORAH A. THOMAS
PARALEGAL SPECIALIST
DET