



US00D992071S

(12) **United States Design Patent**
Chen

(10) **Patent No.:** **US D992,071 S**

(45) **Date of Patent:** **** Jul. 11, 2023**

- (54) **LIGHTED SWING SEAT**
- (71) Applicant: **Sportspower Limited**, Causeway Bay (HK)
- (72) Inventor: **Jimmy Chen**, Sierra Madre, CA (US)
- (73) Assignee: **Sportspower Limited**, Causeway Bay (HK)
- (**) Term: **15 Years**
- (21) Appl. No.: **29/813,659**

D350,381 S *	9/1994	Coddington, Jr.	D21/823
5,393,268 A *	2/1995	Cunard	A63G 9/20 472/120
D367,099 S *	2/1996	Coddington, Jr.	D21/823
D410,722 S *	6/1999	Davignon, II	D21/823
D411,279 S *	6/1999	Hoffman	D21/823
D412,939 S *	8/1999	Davignon, II	D21/823
5,984,792 A *	11/1999	Clark	A63G 9/14 472/120
D520,591 S *	5/2006	Popp	D21/823
D885,069 S *	5/2020	McNeill	D6/344
2007/0062126 A1 *	3/2007	Zeilinger	A63H 33/008 52/36.1
2020/0094152 A1 *	3/2020	Renner, Jr.	A63G 9/00

- (22) Filed: **Oct. 29, 2021**
- (51) **LOC (14) Cl.** **21-03**
- (52) **U.S. Cl.**
USPC **D21/823**
- (58) **Field of Classification Search**
USPC D21/811, 814, 822-825
CPC A63G 9/00-9/22
See application file for complete search history.

OTHER PUBLICATIONS

Swing seat google search; google.com; Apr. 3, 2023.*
Lighted swing seat google search; google.com; Apr. 3, 2023.*

* cited by examiner

Primary Examiner — Mitchell I. Siegel
(74) *Attorney, Agent, or Firm* — Clement Cheng

(56) **References Cited**

U.S. PATENT DOCUMENTS

D200,542 S *	3/1965	Scanlon	D21/823
D221,877 S *	9/1971	Richardson	D21/823
3,712,614 A *	1/1973	Sherman	A63G 9/00 297/452.65
D244,627 S *	6/1977	Ryan	D6/354
D254,144 S *	2/1980	Hock	D21/797
4,478,410 A *	10/1984	Ziegler, Jr.	A63G 9/00 472/118
4,575,073 A *	3/1986	Thacker	A63G 9/00 297/DIG. 2
D339,623 S *	9/1993	Nolan	D21/823
D339,624 S *	9/1993	Nolan	D21/823
D343,671 S *	1/1994	Smith	D21/823
5,338,260 A *	8/1994	Smith	A63G 9/00 297/452.1

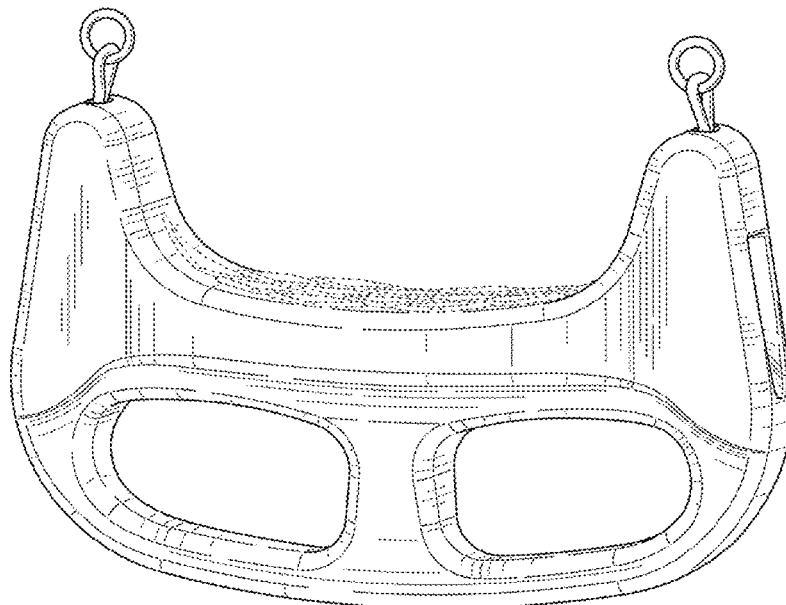
(57) **CLAIM**

The ornamental design for a lighted swing seat, as shown and described.

DESCRIPTION

FIG. 1 is a perspective view.
FIG. 2 is a front elevational view.
FIG. 3 is a back elevational view.
FIG. 4 is a left side elevational view.
FIG. 5 is a right side elevational view.
FIG. 6 is a top plan view; and,
FIG. 7 is a bottom plan view.
The dotted line disclosure forms no part of the claimed invention.

1 Claim, 5 Drawing Sheets



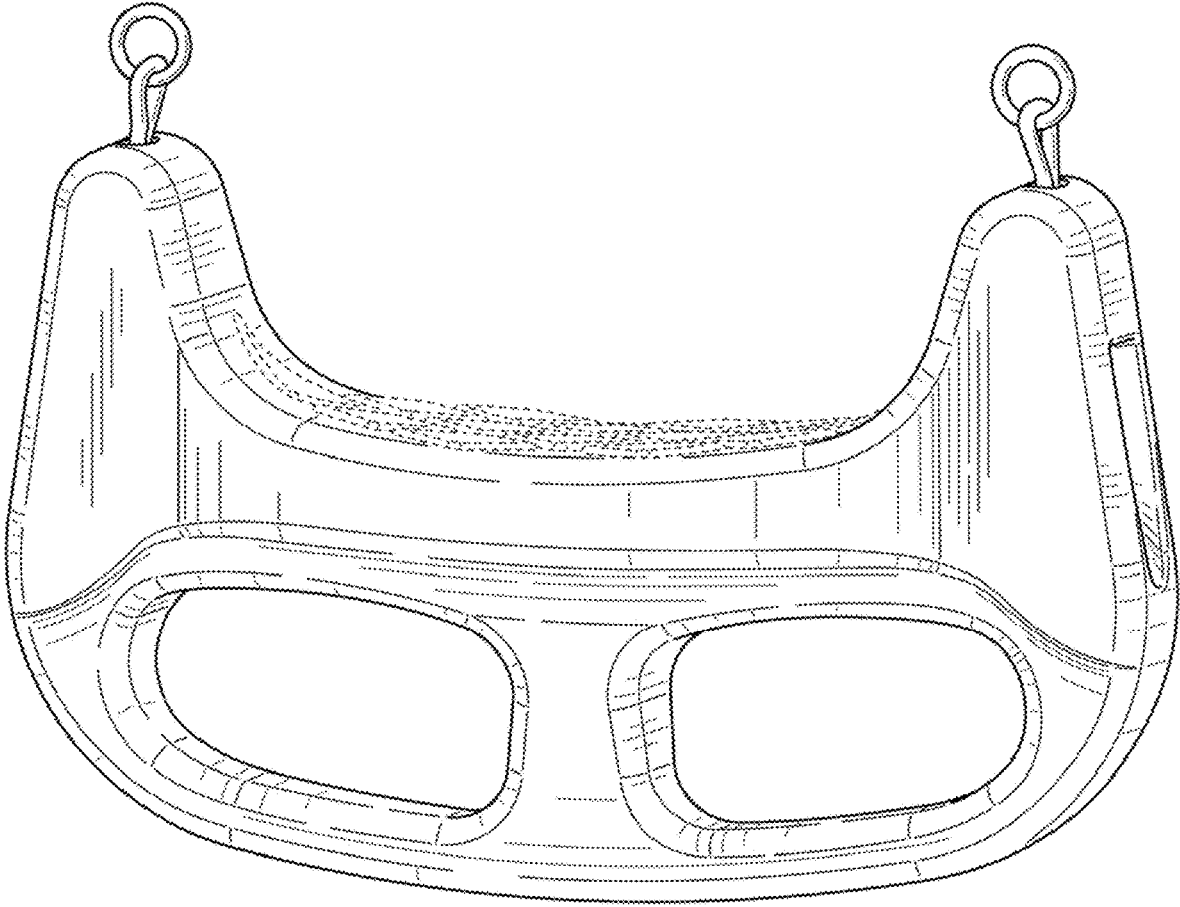


FIG. 1

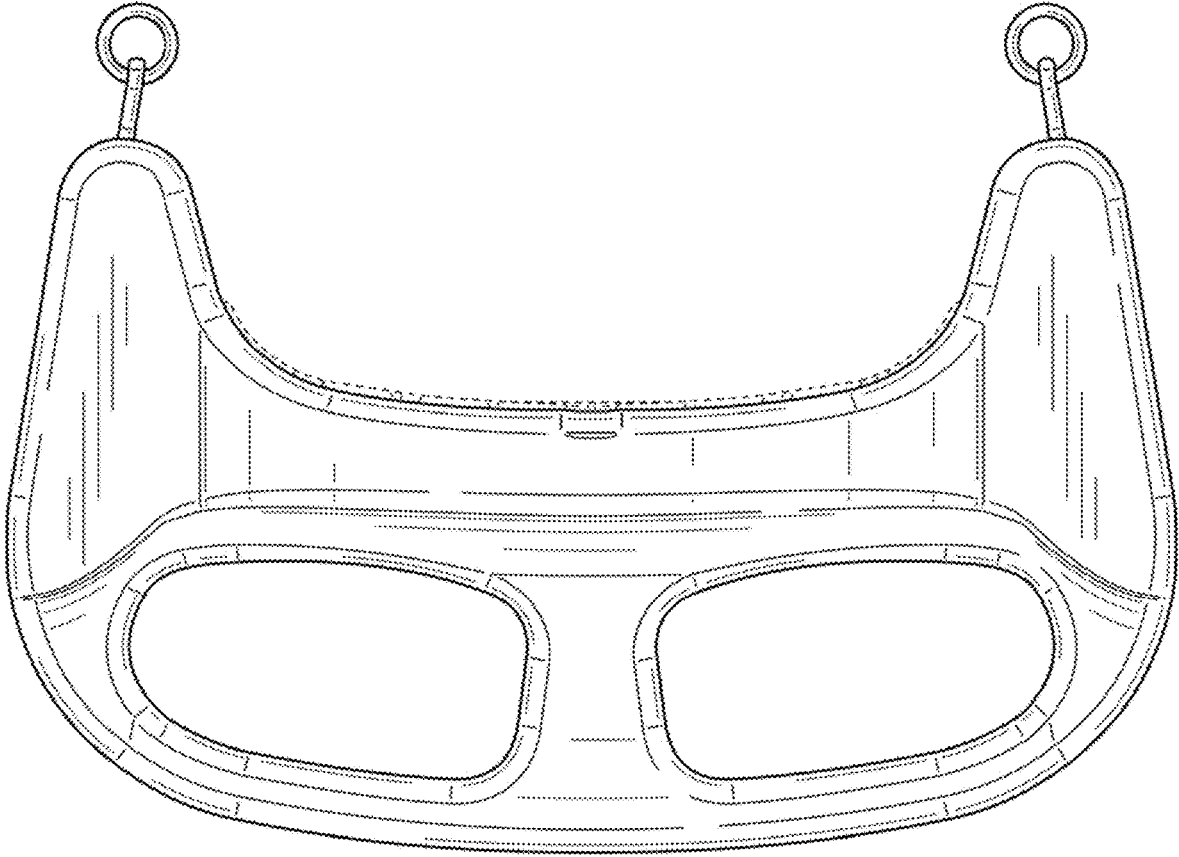


FIG. 2

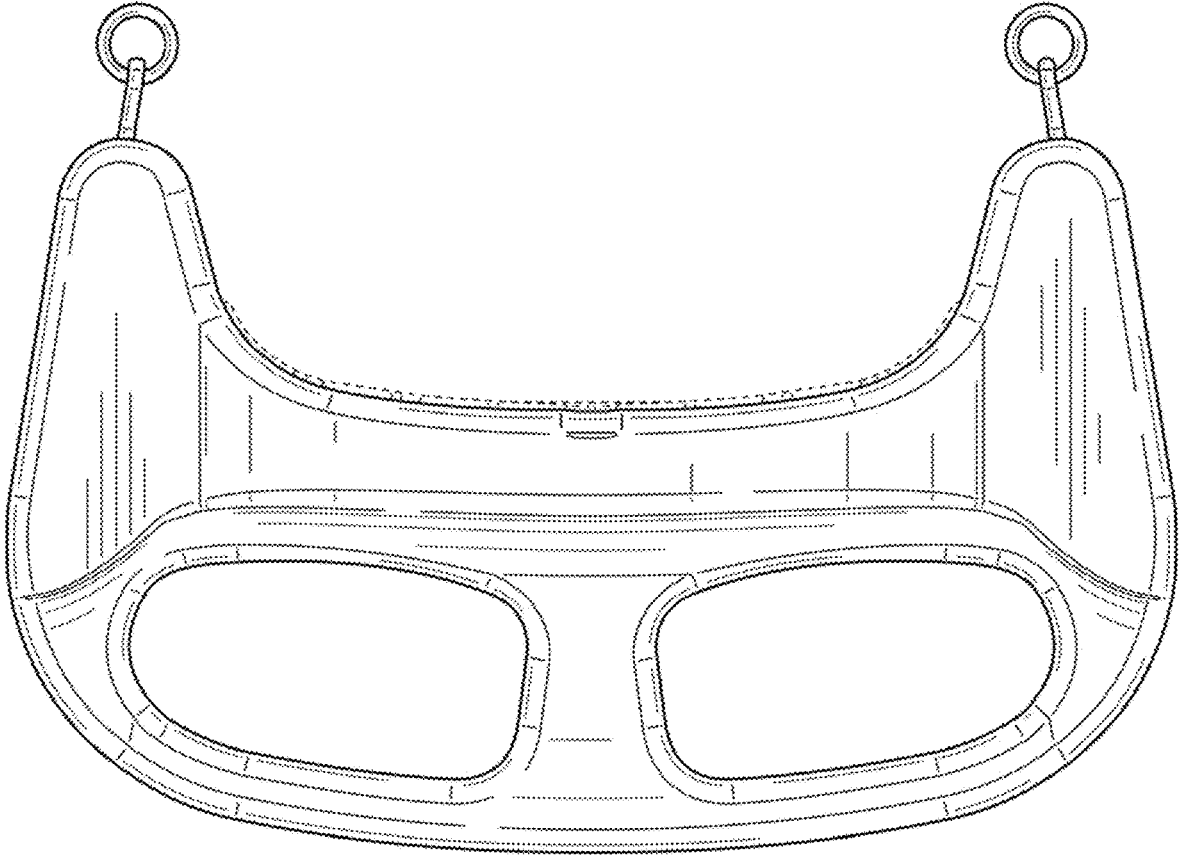


FIG. 3

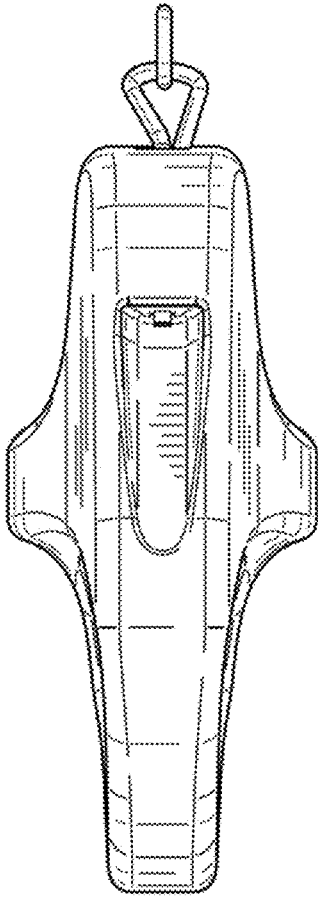


FIG. 4

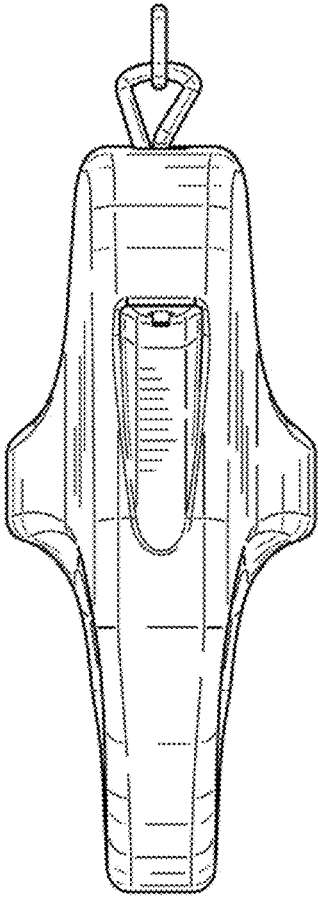


FIG. 5

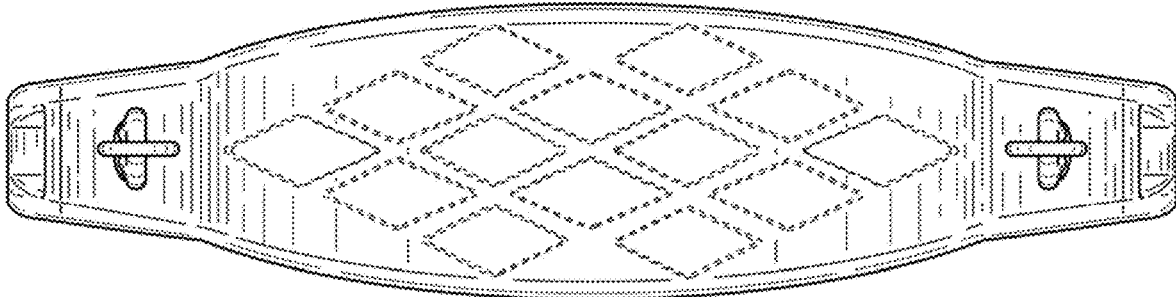


FIG. 6

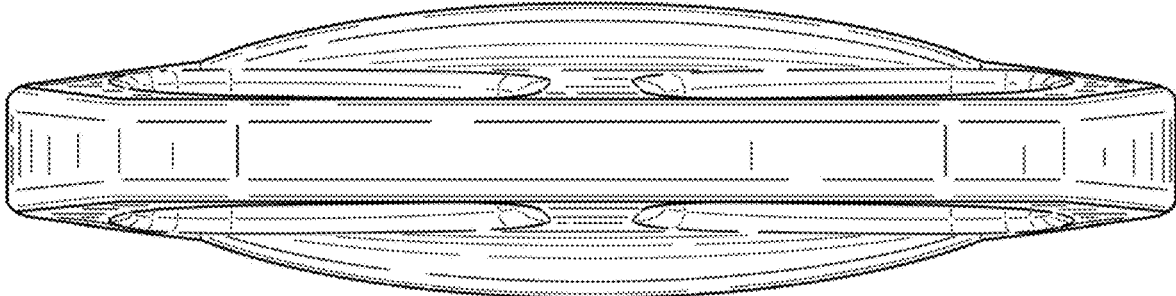


FIG. 7