



US00D714988S

(12) **United States Design Patent**  
**Park et al.**

(10) **Patent No.:** **US D714,988 S**

(45) **Date of Patent:** **\*\* Oct. 7, 2014**

(54) **CEILING-BURIED TYPE LUMINAIRE**

(71) Applicant: **Posco LED Company Ltd.,**  
Seongnam-si (KR)

(72) Inventors: **Hyun-Ku Park, Seongnam-si (KR);**  
**Jaе-Young Choi, Seongnam-si (KR)**

(73) Assignee: **Posco LED Company Ltd.,**  
Seongnam-si (KR)

(\*\*) Term: **14 Years**

(21) Appl. No.: **29/457,219**

(22) Filed: **Jun. 7, 2013**

(30) **Foreign Application Priority Data**

Apr. 9, 2013 (KR) ..... 30-2013-0018192

(51) **LOC (10) Cl.** ..... **26-05**

(52) **U.S. Cl.**  
USPC ..... **D26/74**

(58) **Field of Classification Search**

USPC ..... D26/51, 56, 57, 61, 72-91, 92-102,  
D26/108, 109, 113, 118; 362/3, 11, 12, 16,  
362/145, 147-150, 217.01-217.12, 257,  
362/291, 296.01, 317, 362-368, 558, 563,  
362/564, 576, 805-809, 811; D14/172,  
D14/184, 195, 204

See application file for complete search history.

(56) **References Cited**

**U.S. PATENT DOCUMENTS**

2,961,530 A \* 11/1960 Garnett et al. .... 362/364  
D349,357 S \* 8/1994 Herst et al. .... D26/85  
D516,236 S \* 2/2006 Yeh ..... D26/89

D533,956 S \* 12/2006 Vladika ..... D26/118  
D567,989 S \* 4/2008 Goetz-Schaefer ..... D26/89  
D595,447 S \* 6/2009 Purcell ..... D26/85  
D602,187 S \* 10/2009 Fabbri et al. .... D26/74  
D602,188 S \* 10/2009 Fabbri et al. .... D26/74  
7,775,694 B2 \* 8/2010 Nagai et al. .... 362/365  
D631,595 S \* 1/2011 Carroll ..... D26/89  
D675,363 S \* 1/2013 Apetauer et al. .... D26/74  
D682,455 S \* 5/2013 Apetauer et al. .... D26/74  
D699,386 S \* 2/2014 Park et al. .... D26/118  
D705,974 S \* 5/2014 Blessitt et al. .... D26/74

\* cited by examiner

*Primary Examiner* — Garth Rademaker

*Assistant Examiner* — Llorelys Martinez-Rivera

(74) *Attorney, Agent, or Firm* — H.C. Park & Associates, PLC

(57) **CLAIM**

The ornamental design for a ceiling-buried type luminaire, as shown and described.

**DESCRIPTION**

FIG. 1 is a Perspective View of the ceiling-buried type luminaire of the claimed design.

FIG. 2 is a Front View of the ceiling-buried type luminaire.

FIG. 3 is a Rear View of the ceiling-buried type luminaire.

FIG. 4 is a Left Side View of the ceiling-buried type luminaire.

FIG. 5 is a Right Side View of the ceiling-buried type luminaire.

FIG. 6 is a Top Plan View of the ceiling-buried type luminaire.

FIG. 7 is a Bottom Plan View of the ceiling-buried type luminaire; and,

FIG. 8 is a Bottom Perspective View of the ceiling-buried type luminaire.

**1 Claim, 5 Drawing Sheets**

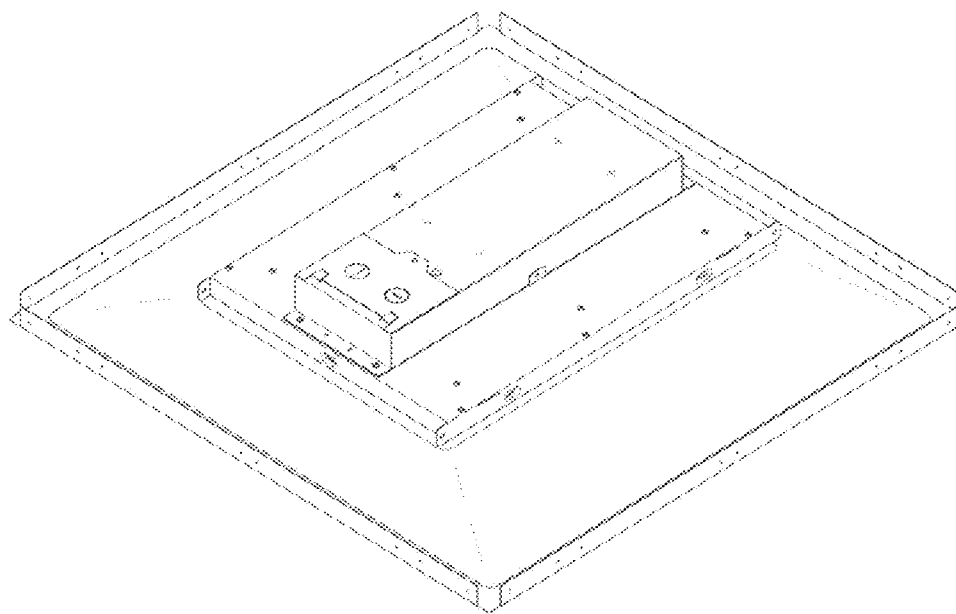


Figure 1

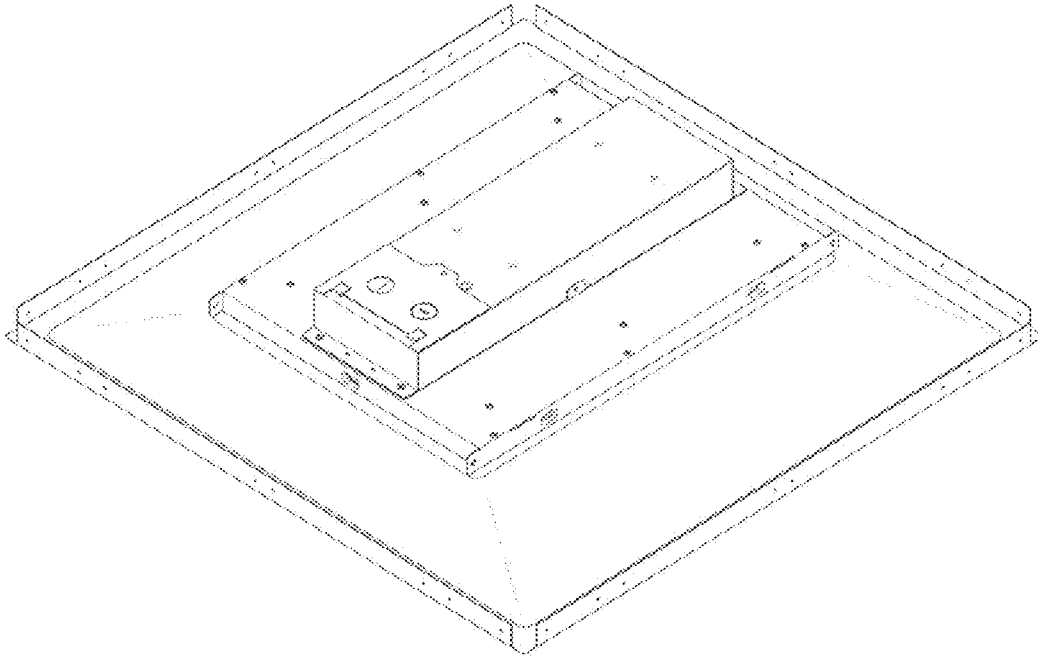


Figure 2

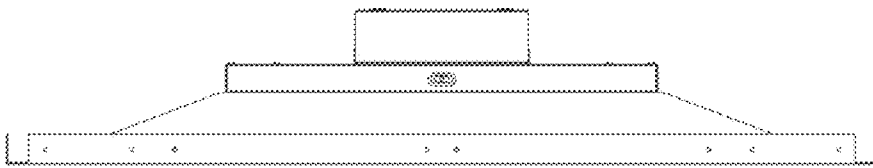


Figure 3

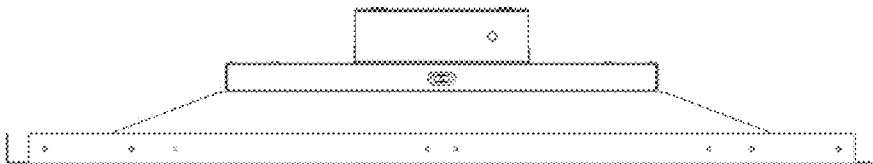


Figure 4

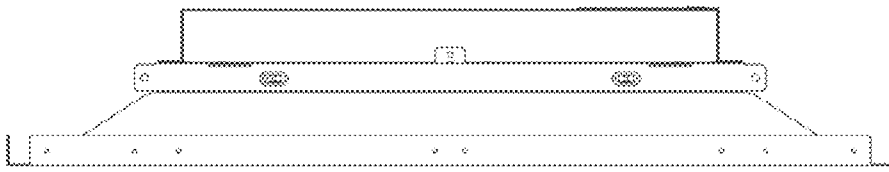


Figure 5

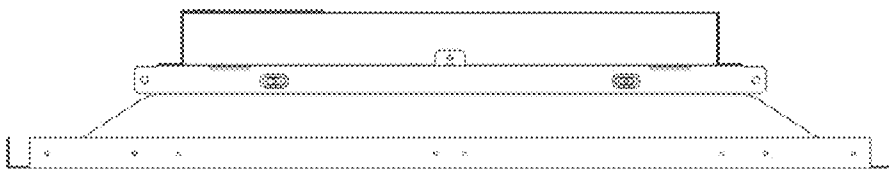


Figure 6

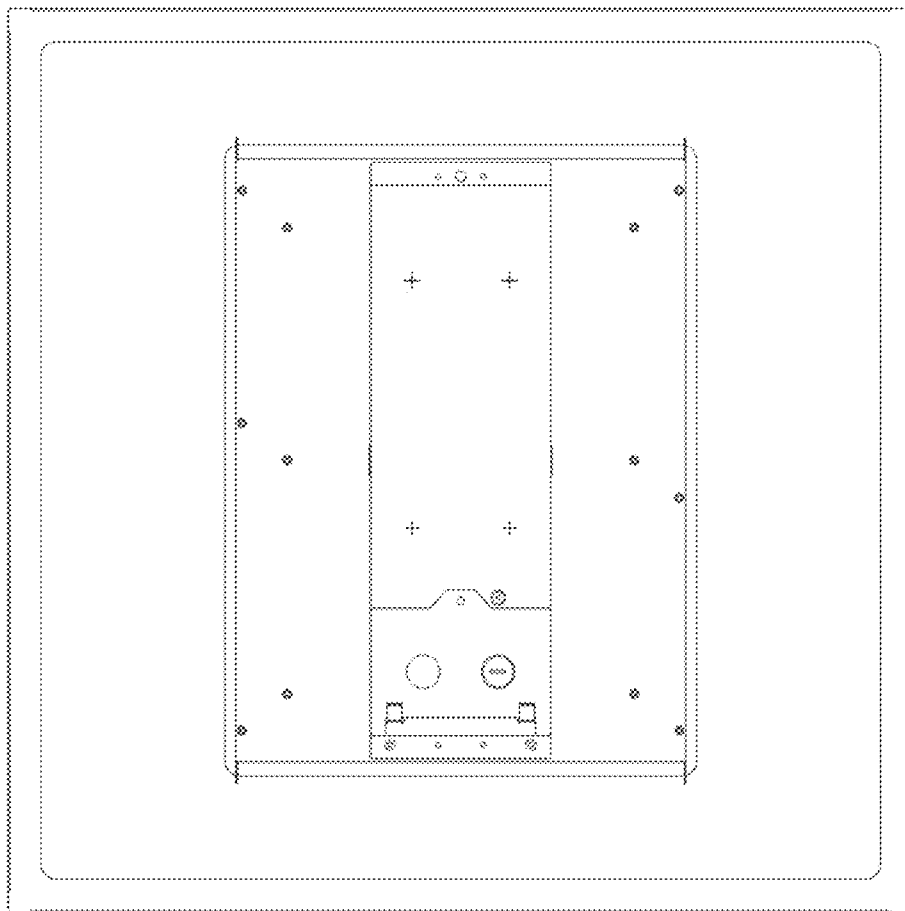


Figure 7

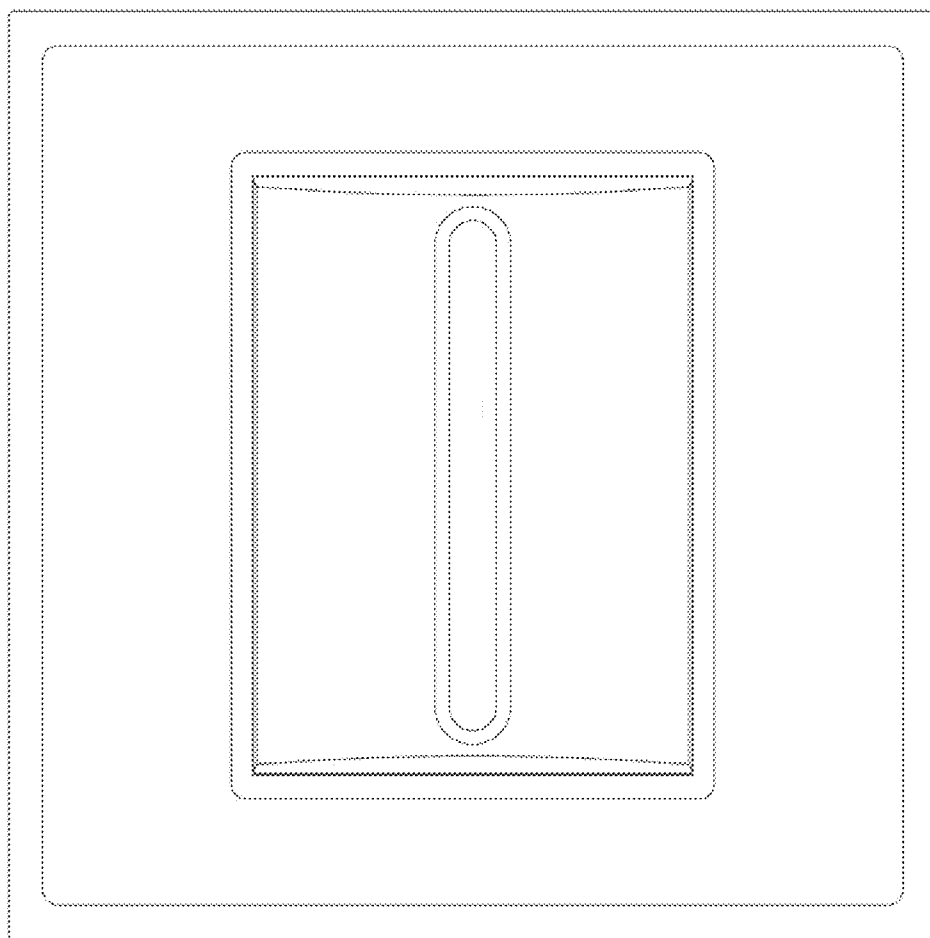


Figure 8

