

(19) World Intellectual Property Organization
International Bureau



(43) International Publication Date
27 December 2007 (27.12.2007)

PCT

(10) International Publication Number
WO 2007/148199 A3

(51) International Patent Classification:
G01S 13/90 (2006.01)

(21) International Application Number:
PCT/IB2007/001638

(22) International Filing Date: 19 June 2007 (19.06.2007)

(25) Filing Language: Italian

(26) Publication Language: English

(30) Priority Data:
TO2006A000453 20 June 2006 (20.06.2006) IT

(71) Applicant (for all designated States except US):
TELESPAZIO S.P.A. [IT/IT]; Via Tiburtina, 965,
I-00156 Roma (IT).

(72) Inventors; and

(75) Inventors/Applicants (for US only): **SAITTO, Antonio** [IT/IT]; Via Spalato, 11, I-00156 Roma (IT). **MAZZENGA, Franco** [IT/IT]; Via Costantino, 116/B, I-00145 Roma (IT). **RONZITTI, Lorenzo** [IT/IT]; Via Monte Bianco, 62, I-00012 Guidonia (IT).

(74) Agents: **JORIO, Paolo** et al.; Studio Torta S.r.l., Via Viotti, 9, I-10121 Torino (IT).

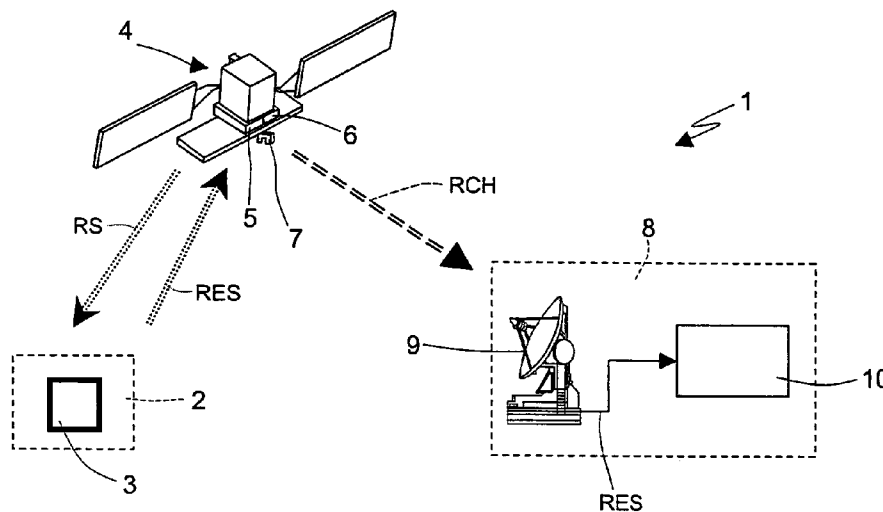
(81) Designated States (unless otherwise indicated, for every kind of national protection available): AE, AG, AL, AM, AT, AU, AZ, BA, BB, BG, BH, BR, BW, BY, BZ, CA, CH, CN, CO, CR, CU, CZ, DE, DK, DM, DO, DZ, EC, EE, EG, ES, FI, GB, GD, GE, GH, GM, GT, HN, HR, HU, ID, IL, IN, IS, JP, KE, KG, KM, KN, KP, KR, KZ, LA, LC, LK, LR, LS, LT, LU, LY, MA, MD, ME, MG, MK, MN, MW, MX, MY, MZ, NA, NG, NI, NO, NZ, OM, PG, PH, PL, PT, RO, RS, RU, SC, SD, SE, SG, SK, SL, SM, SV, SY, TJ, TM, TN, TR, TT, TZ, UA, UG, US, UZ, VC, VN, ZA, ZM, ZW.

(84) Designated States (unless otherwise indicated, for every kind of regional protection available): ARIPO (BW, GH, GM, KE, LS, MW, MZ, NA, SD, SL, SZ, TZ, UG, ZM, ZW), Eurasian (AM, AZ, BY, KG, KZ, MD, RU, TJ, TM), European (AT, BE, BG, CH, CY, CZ, DE, DK, EE, ES, FI, FR, GB, GR, HU, IE, IS, IT, LT, LU, LV, MC, MT, NL, PL, PT, RO, SE, SI, SK, TR), OAPI (BF, BJ, CF, CG, CI, CM, GA, GN, GQ, GW, ML, MR, NE, SN, TD, TG).

Published:
— with international search report
— before the expiration of the time limit for amending the claims and to be republished in the event of receipt of amendments

(88) Date of publication of the international search report:
8 May 2008

(54) Title: TARGET IDENTIFICATION METHOD FOR A SYNTHETIC APERTURE RADAR SYSTEM



(57) Abstract: In a synthetic aperture radar system (1) monitoring an area containing at least one moving target (2) for identification, the target (2) is equipped with an identification device (3), which receives the radar signal (RS) transmitted by the radar system (1), and transmits a processed radar signal (ES) obtained by modulating the incoming radar signal (RS) with a modulating signal (MODS) containing target (2) information (ID, MSG), such as identification (ID) and status (MSG) information, and by amplifying the modulated radar signal (RS); the radar echo signal (RES) reflected by the monitored area and containing the processed radar signal (ES) is received and processed by a control station (8) of the radar system (1) to locate the target (2) on a map of the monitored area, and to extract the target (2) information (ID, MSG) to identify the target (2).

WO 2007/148199 A3

INTERNATIONAL SEARCH REPORT

International application No
PCT/IB2007/001638

A. CLASSIFICATION OF SUBJECT MATTER
INV. G01S13/90

According to International Patent Classification (IPC) or to both national classification and IPC

B. FIELDS SEARCHED
Minimum documentation searched (classification system followed by classification symbols)
G01S

Documentation searched other than minimum documentation to the extent that such documents are included in the fields searched

Electronic data base consulted during the international search (name of data base and, where practical, search terms used)
EPO-Internal

C. DOCUMENTS CONSIDERED TO BE RELEVANT		
Category*	Citation of document, with indication, where appropriate, of the relevant passages	Relevant to claim No.
X	US 5 767 802 A (KOSOWSKY LESTER [US] ET AL) 16 June 1998 (1998-06-16)	1-5, 10-13, 19-21, 24-27
Y	abstract	6-9, 14-18, 22, 23, 28-31
	figures 1-12 column 2, lines 20-64 columns 4-7 column 8, lines 1-16 claims 1,10	
Y	US 2004/212494 A1 (STILP LOUIS A [US]) 28 October 2004 (2004-10-28) figures 1-3 paragraphs [0216] - [0261]	6-9, 22, 23, 28, 29
	----- -/-- -----	

Further documents are listed in the continuation of Box C. See patent family annex.

- * Special categories of cited documents :
- | | |
|--|--|
| <p>*A* document defining the general state of the art which is not considered to be of particular relevance</p> <p>*E* earlier document but published on or after the international filing date</p> <p>*L* document which may throw doubts on priority claim(s) or which is cited to establish the publication date of another citation or other special reason (as specified)</p> <p>*O* document referring to an oral disclosure, use, exhibition or other means</p> <p>*P* document published prior to the international filing date but later than the priority date claimed</p> | <p>*T* later document published after the international filing date or priority date and not in conflict with the application but cited to understand the principle or theory underlying the invention</p> <p>*X* document of particular relevance; the claimed invention cannot be considered novel or cannot be considered to involve an inventive step when the document is taken alone</p> <p>*Y* document of particular relevance; the claimed invention cannot be considered to involve an inventive step when the document is combined with one or more other such documents, such combination being obvious to a person skilled in the art.</p> <p>* & * document member of the same patent family</p> |
|--|--|

Date of the actual completion of the international search 20 February 2008	Date of mailing of the international search report 28/02/2008
---	--

Name and mailing address of the ISA/ European Patent Office, P.B. 5818 Patentlaan 2 NL - 2280 HV Rijswijk Tel. (+31-70) 340-2040, Tx. 31 651 epo nl, Fax: (+31-70) 340-3016	Authorized officer Esbrí, Oriol
---	--

INTERNATIONAL SEARCH REPORT

International application No
PCT/IB2007/001638

C(Continuation). DOCUMENTS CONSIDERED TO BE RELEVANT		
Category*	Citation of document, with indication, where appropriate, of the relevant passages	Relevant to claim No.
Y	US 4 291 409 A (WEINBERG AARON ET AL) 22 September 1981 (1981-09-22) abstract figures 2-12 columns 5-10 claims 1-5 -----	14-18, 30,31

INTERNATIONAL SEARCH REPORT

International application No.
PCT/IB2007/001638

Box No. II Observations where certain claims were found unsearchable (Continuation of item 2 of first sheet)

This international search report has not been established in respect of certain claims under Article 17(2)(a) for the following reasons:

1. Claims Nos.:
because they relate to subject matter not required to be searched by this Authority, namely:

2. Claims Nos.:
because they relate to parts of the international application that do not comply with the prescribed requirements to such an extent that no meaningful international search can be carried out, specifically:

3. Claims Nos.:
because they are dependent claims and are not drafted in accordance with the second and third sentences of Rule 6.4(a).

Box No. III Observations where unity of invention is lacking (Continuation of item 3 of first sheet)

This International Searching Authority found multiple inventions in this international application, as follows:

see additional sheet

1. As all required additional search fees were timely paid by the applicant, this international search report covers allsearchable claims.
2. As all searchable claims could be searched without effort justifying an additional fees, this Authority did not invite payment of additional fees.
3. As only some of the required additional search fees were timely paid by the applicant, this international search report covers only those claims for which fees were paid, specifically claims Nos.:
4. No required additional search fees were timely paid by the applicant. Consequently, this international search report is restricted to the invention first mentioned in the claims; it is covered by claims Nos.:

Remark on Protest

- The additional search fees were accompanied by the applicant's protest and, where applicable, the payment of a protest fee.
- The additional search fees were accompanied by the applicant's protest but the applicable protest fee was not paid within the time limit specified in the invitation.
- No protest accompanied the payment of additional search fees.

FURTHER INFORMATION CONTINUED FROM PCT/ISA/ 210

This International Searching Authority found multiple (groups of) inventions in this international application, as follows:

1. claims: 1-13,19-29

Encryption

2. claims: 14-18,30,31

Sequence of binary digits

INTERNATIONAL SEARCH REPORT

Information on patent family members

International application No

PCT/IB2007/001638

Patent document cited in search report		Publication date	Patent family member(s)	Publication date
US 5767802	A	16-06-1998	NONE	
US 2004212494	A1	28-10-2004	US 2004212503 A1	28-10-2004
US 4291409	A	22-09-1981	NONE	