

(19) World Intellectual Property Organization  
International Bureau



(43) International Publication Date  
9 December 2010 (09.12.2010)

PCT

(10) International Publication Number  
**WO 2010/141231 A3**

(51) International Patent Classification:

E21B 19/14 (2006.01) E21B 19/06 (2006.01)  
E21B 19/20 (2006.01)

(21) International Application Number:

PCT/US2010/035581

(22) International Filing Date:

20 May 2010 (20.05.2010)

(25) Filing Language:

English

(26) Publication Language:

English

(30) Priority Data:

12/475,808 1 June 2009 (01.06.2009) US

(71) Applicant (for all designated States except US): NATIONAL OILWELL VARCO, L.P. [US/US]; 7909 Parkwood Circle Drive, Houston, TX 77036 (US).

(72) Inventors; and

(75) Inventors/Applicants (for US only): HANKINS, John, Benjamin [US/US]; 10350 Fm 1725, Cleveland, TX 77328 (US). WINTER, Brian, Daniel [US/US]; 8515 Calverton Pines Lane, Houston, TX 77095 (US). GROSZ, Gregory, Christopher [US/US]; 2014 Stanford Park Court, Katy, TX 77450 (US).

(74) Agent: SMITH, Carol, E.; P.O. Box 3267, Houston, TX 77253-3267 (US).

(81) Designated States (unless otherwise indicated, for every kind of national protection available): AE, AG, AL, AM,

AO, AT, AU, AZ, BA, BB, BG, BH, BR, BW, BY, BZ, CA, CH, CL, CN, CO, CR, CU, CZ, DE, DK, DM, DO, DZ, EC, EE, EG, ES, FI, GB, GD, GE, GH, GM, GT, HN, HR, HU, ID, IL, IN, IS, JP, KE, KG, KM, KN, KP, KR, KZ, LA, LC, LK, LR, LS, LT, LU, LY, MA, MD, ME, MG, MK, MN, MW, MX, MY, MZ, NA, NG, NI, NO, NZ, OM, PE, PG, PH, PL, PT, RO, RS, RU, SC, SD, SE, SG, SK, SL, SM, ST, SV, SY, TH, TJ, TM, TN, TR, TT, TZ, UA, UG, US, UZ, VC, VN, ZA, ZM, ZW.

(84) Designated States (unless otherwise indicated, for every kind of regional protection available): ARIPO (BW, GH, GM, KE, LR, LS, MW, MZ, NA, SD, SL, SZ, TZ, UG, ZM, ZW), Eurasian (AM, AZ, BY, KG, KZ, MD, RU, TJ, TM), European (AL, AT, BE, BG, CH, CY, CZ, DE, DK, EE, ES, FI, FR, GB, GR, HR, HU, IE, IS, IT, LT, LU, LV, MC, MK, MT, NL, NO, PL, PT, RO, SE, SI, SK, SM, TR), OAPI (BF, BJ, CF, CG, CI, CM, GA, GN, GQ, GW, ML, MR, NE, SN, TD, TG).

Published:

- with international search report (Art. 21(3))
- before the expiration of the time limit for amending the claims and to be republished in the event of receipt of amendments (Rule 48.2(h))

(88) Date of publication of the international search report: 3 March 2011

(54) Title: PIPE STAND TRANSFER SYSTEMS AND METHODS

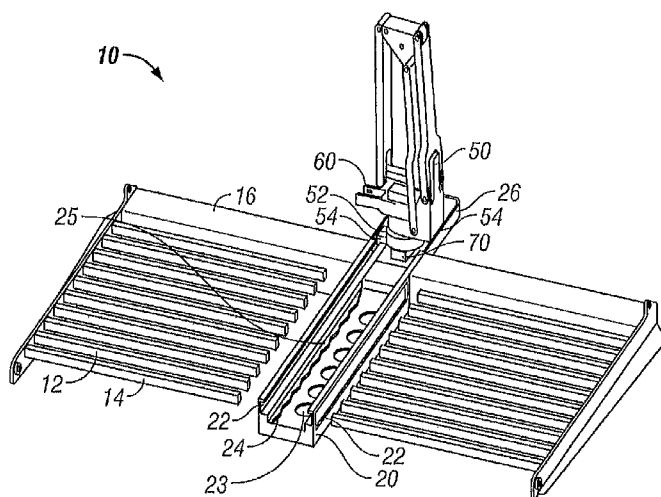


FIG. 1A

(57) Abstract: Methods and systems for transferring pipe (including tubulars such as casing, tubing, drill pipe, etc.) or stands of pipe from one location to another in a wellbore derrick, e.g. from a fingerboard to a well center.



WO 2010/141231 A3

**A. CLASSIFICATION OF SUBJECT MATTER***E21B 19/14(2006.01)i, E21B 19/20(2006.01)i, E21B 19/06(2006.01)i*

According to International Patent Classification (IPC) or to both national classification and IPC

**B. FIELDS SEARCHED**

Minimum documentation searched (classification system followed by classification symbols)

E21B 19/14; E21B 19/14; E21B 19/15

Documentation searched other than minimum documentation to the extent that such documents are included in the fields searched

Korean utility models and applications for utility models

Japanese utility models and applications for utility models

Electronic data base consulted during the international search (name of data base and, where practicable, search terms used)

eKOMPASS(KIPO internal) &amp; Keywords: pipe, handler, track, finger

**C. DOCUMENTS CONSIDERED TO BE RELEVANT**

Category*	Citation of document, with indication, where appropriate, of the relevant passages	Relevant to claim No.
X	US 4345864 A1 ( SMITH, JR.; ROGER et al. ) 24 August 1982 See the abstract; figures 1, 9; columns 3-5; claims 1-4.	1-3,5,6,10,11,18
A	US 4345864 A1 ( SMITH, JR.; ROGER et al. ) 24 August 1982 See the abstract; figures 1, 9; columns 3-5; claims 1-4.	4,7-9,12-17
A	US 4738321 A1 ( OLIVIER; DANTAN ) 19 April 1988 See the abstract; figures 3, 4; columns 4, 5; claims 1-5.	1-18
A	US 4274778 A1 ( PUTNAM; PAUL S. et al. ) 23 June 1981 See abstract; figures 1-3, 12; columns 4, 5, 7, 9; claims 1-22.	1-18
A	US 6821071 B2 ( WOOLSLAYER JOSEPH R. et al. ) 23 November 2004 See the abstract; figures 1-3, 5, 8; columns 3, 4; claims 1-11.	1-18

 Further documents are listed in the continuation of Box C. See patent family annex.

\* Special categories of cited documents:

"A" document defining the general state of the art which is not considered to be of particular relevance

"E" earlier application or patent but published on or after the international filing date

"L" document which may throw doubts on priority claim(s) or which is cited to establish the publication date of citation or other special reason (as specified)

"O" document referring to an oral disclosure, use, exhibition or other means

"P" document published prior to the international filing date but later than the priority date claimed

"T" later document published after the international filing date or priority date and not in conflict with the application but cited to understand the principle or theory underlying the invention

"X" document of particular relevance; the claimed invention cannot be considered novel or cannot be considered to involve an inventive step when the document is taken alone

"Y" document of particular relevance; the claimed invention cannot be considered to involve an inventive step when the document is combined with one or more other such documents, such combination being obvious to a person skilled in the art

"&amp;" document member of the same patent family

Date of the actual completion of the international search

04 JANUARY 2011 (04.01.2011)

Date of mailing of the international search report

**04 JANUARY 2011 (04.01.2011)**

Name and mailing address of the ISA/KR

Korean Intellectual Property Office  
Government Complex-Daejeon, 139 Seonsa-ro, Seo-gu, Daejeon 302-701, Republic of Korea

Facsimile No. 82-42-472-7140

Authorized officer

CHUNG, SANG IK

Telephone No. 82-42-481-5530



**INTERNATIONAL SEARCH REPORT**

Information on patent family members

International application No.

**PCT/US2010/035581**

Patent document cited in search report	Publication date	Patent family member(s)	Publication date
US 4345864 A1	24.08.1982	None	
US 4738321 A1	19.04.1988	JP 62-146387 A	30.06.1987
US 4274778 A1	23.06.1981	US 4397605 A1	09.08.1983
US 6821071 B2	23.11.2004	CA 2442379-A1 US 2004-0057815 A1	25.03.2004 25.03.2004