

(12) **United States Design Patent**  
**Chun**

(10) **Patent No.:** **US D783,013 S**  
(45) **Date of Patent:** **\*\* Apr. 4, 2017**

- (54) **ADJUSTABLE VENT CLAMP**
- (71) Applicant: **James Chun**, Fremont, CA (US)
- (72) Inventor: **James Chun**, Fremont, CA (US)
- (\*\*) Term: **15 Years**
- (21) Appl. No.: **29/558,826**
- (22) Filed: **Mar. 22, 2016**
- (51) **LOC (10) Cl.** ..... **14-03**
- (52) **U.S. Cl.**  
USPC ..... **D14/253; D14/447**
- (58) **Field of Classification Search**  
USPC ..... D14/253, 432, 434, 440, 447, 439, 451,  
D14/452, 457, 250, 251; D12/415, 114,  
D12/420, 417, 223; D6/406.3, 406.4,  
D6/406.5, 406.6; D3/218  
CPC ..... H04M 1/04; H04M 1/06; H04M 1/11;  
H04M 1/12; F16M 13/00; B60R 11/00;  
B60R 11/02  
See application file for complete search history.

- (56) **References Cited**  
U.S. PATENT DOCUMENTS
- |              |         |          |       |         |
|--------------|---------|----------|-------|---------|
| D708,603 S * | 7/2014  | Kim      | ..... | D14/253 |
| D717,307 S * | 11/2014 | Chun     | ..... | D14/447 |
| D718,297 S * | 11/2014 | Aspinall | ..... | D14/253 |
| D718,298 S * | 11/2014 | Aspinall | ..... | D14/253 |
| D732,519 S * | 6/2015  | Aspinall | ..... | D14/253 |
| D733,116 S * | 6/2015  | Aspinall | ..... | D14/253 |
| D750,612 S * | 3/2016  | Chen     | ..... | D14/253 |
| D750,633 S * | 3/2016  | Minn     | ..... | D14/447 |
| D756,987 S * | 5/2016  | Taing    | ..... | D14/253 |
| D765,651 S * | 9/2016  | Liu      | ..... | D14/253 |

- |                  |         |          |       |                         |
|------------------|---------|----------|-------|-------------------------|
| D767,555 S *     | 9/2016  | Lee      | ..... | D14/253                 |
| D768,125 S *     | 10/2016 | Kim      | ..... | D14/253                 |
| D769,860 S *     | 10/2016 | Xiao     | ..... | D14/253                 |
| D774,382 S *     | 12/2016 | Richter  | ..... | D8/355                  |
| D775,115 S *     | 12/2016 | Ormsbee  | ..... | D14/253                 |
| D775,116 S *     | 12/2016 | Abrahams | ..... | D14/253                 |
| 2014/0138419 A1* | 5/2014  | Minn     | ..... | B60R 11/0241<br>224/567 |
| 2014/0176062 A1* | 6/2014  | Jung     | ..... | B60R 11/02<br>320/108   |
| 2016/0082893 A1* | 3/2016  | Ormsbee  | ..... | B60R 11/0241<br>224/558 |

\* cited by examiner

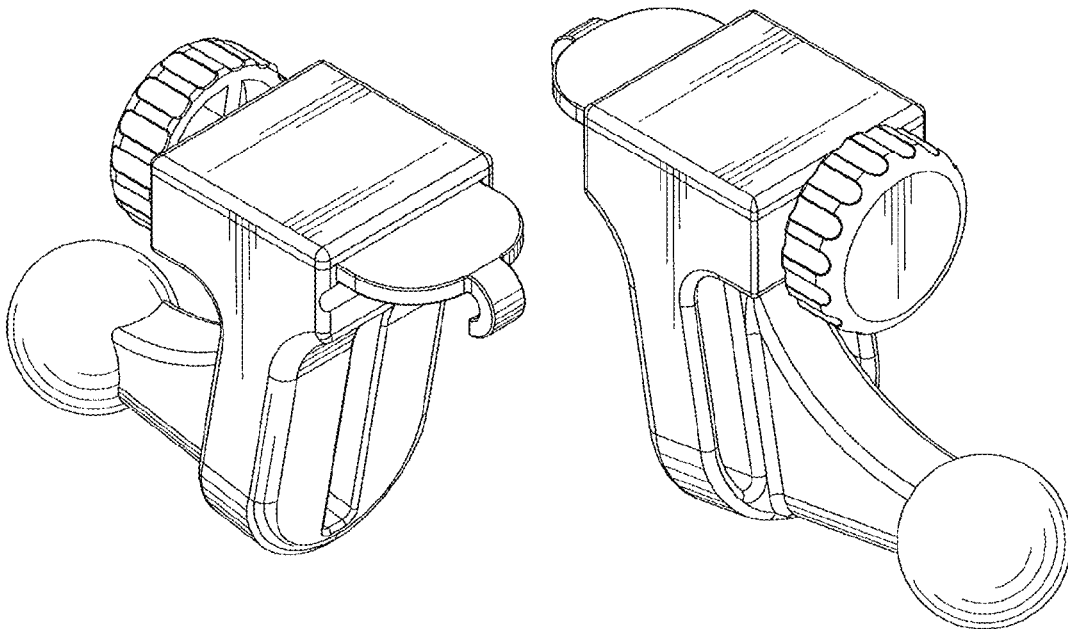
*Primary Examiner* — Susan Bennett Hattan  
*Assistant Examiner* — Janice Hallmark  
(74) *Attorney, Agent, or Firm* — Dean Craine; Marisa Whitaker

(57) **CLAIM**  
The ornamental design for an adjustable vent clamp, as shown and described.

**DESCRIPTION**

FIG. 1 is a rear perspective view of an adjustable vent clamp showing the slide plate expanded.  
FIG. 2 is a left side elevational view of the invention.  
FIG. 3 is a right side elevation view of the invention.  
FIG. 4 is a top plan view of the invention.  
FIG. 5 is a bottom plan view of the invention.  
FIG. 6 is a rear elevational view of the invention.  
FIG. 7 is a front elevational view of the invention.  
FIG. 8 is a rear perspective view of an adjustable vent clamp showing the slide plate retracted; and,  
FIG. 9 is a front perspective view of an adjustable vent clamp showing the slide plate retracted.

**1 Claim, 3 Drawing Sheets**



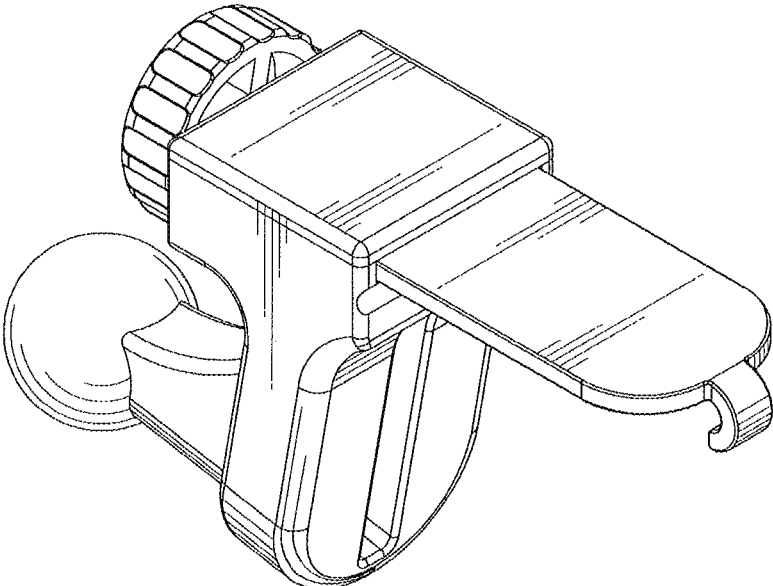


Fig. 1

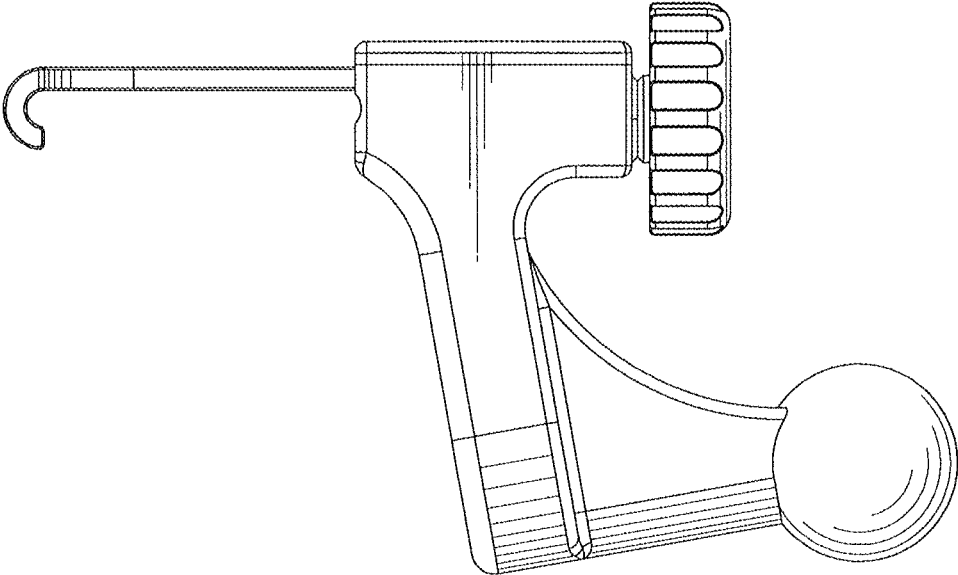


Fig. 2

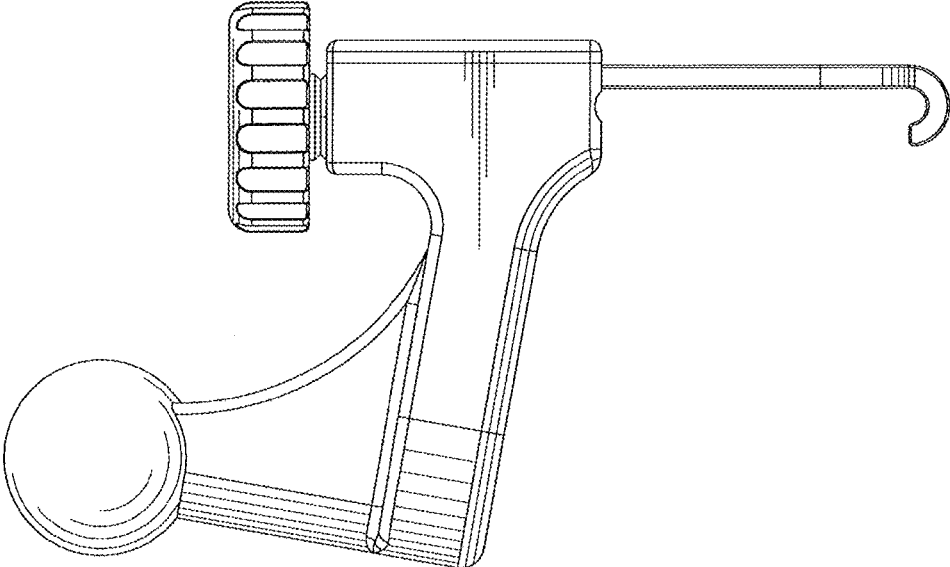


Fig. 3

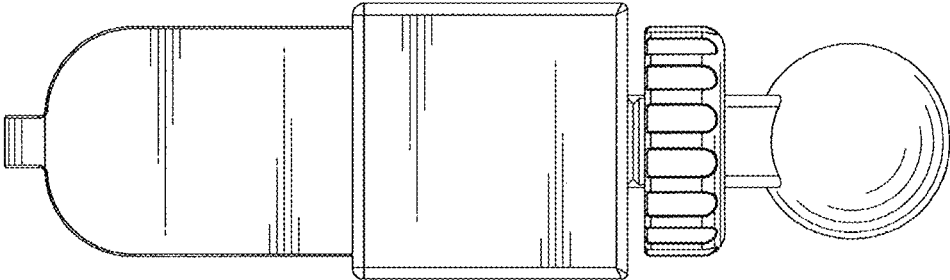


Fig. 4

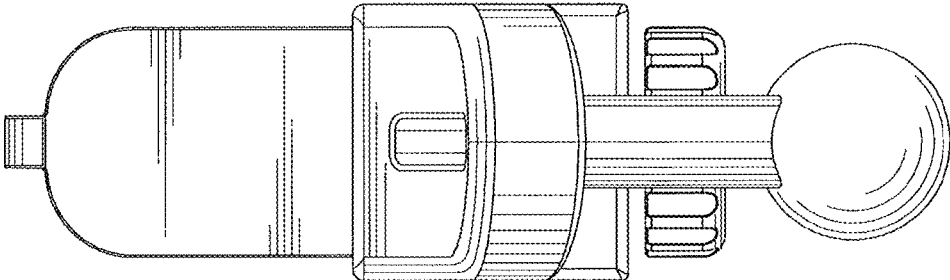
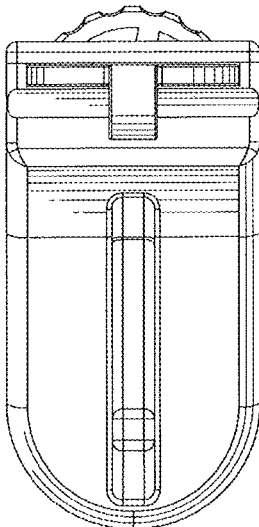
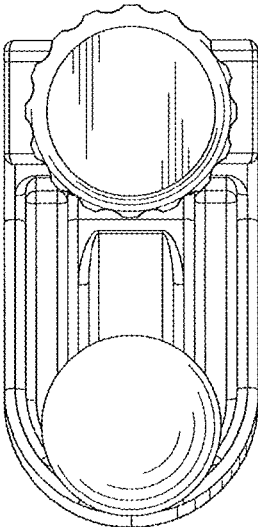


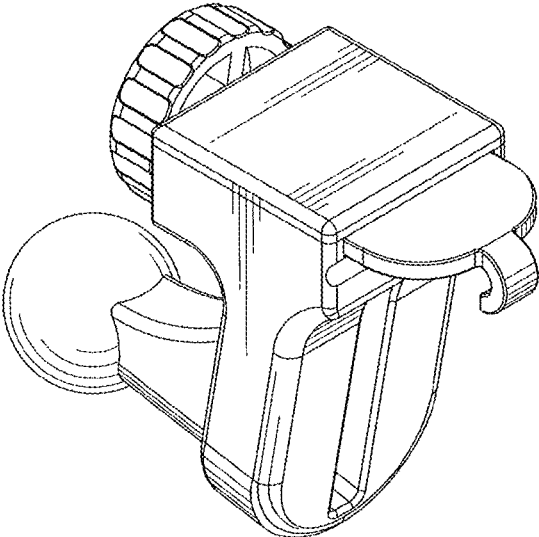
Fig. 5



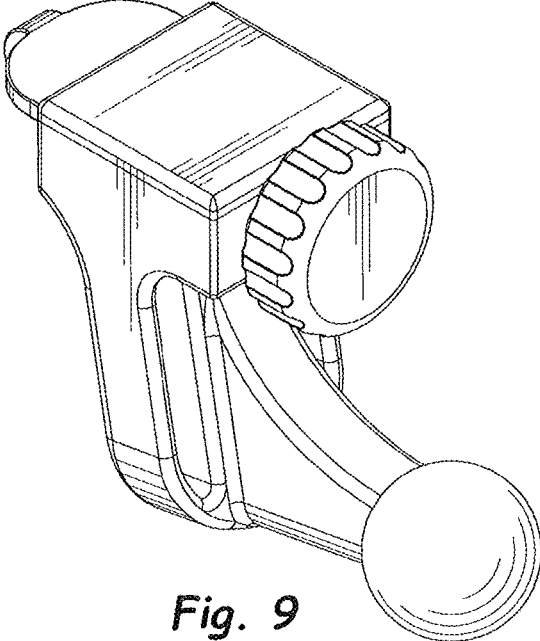
*Fig. 6*



*Fig. 7*



*Fig. 8*



*Fig. 9*