

(19) World Intellectual Property Organization  
International Bureau



(43) International Publication Date  
12 August 2010 (12.08.2010)

(10) International Publication Number  
**WO 2010/089286 A3**

- (51) International Patent Classification:  
*H02G 3/22* (2006.01) *F16L 5/00* (2006.01)
- (21) International Application Number:  
PCT/EP2010/051230
- (22) International Filing Date:  
2 February 2010 (02.02.2010)
- (25) Filing Language: English
- (26) Publication Language: English
- (30) Priority Data:  
0950037-2 4 February 2009 (04.02.2009) SE
- (71) Applicant (for all designated States except US): **ROX-TEC AB**; P.O. Box 540, S-371 23 Karlskrona (SE).
- (72) Inventors; and
- (75) Inventors/Applicants (for US only): **ANDERSSON, Jens** [SE/SE]; Enbärsvägen 7, S-370 23 Hasslö (SE). **FILIPSEN, Jenny** [SE/SE]; Fortifikationsgatan 5, S-371 31 Karlskrona (SE). **HILDINGSSON, Ulf** [SE/SE]; Mjövikstrandsvägen 12, S-370 24 Nätraby (SE). **LUNDBORG, Christer** [SE/SE]; Bastionsgatan 6, S-371 32 Karlskrona (SE). **MILTON, Stefan** [SE/SE]; Torstävavägen 13, S-373 02 Ramdala (SE). **PETTERSSON, Ronnie** [SE/SE]; Rörläggarevägen 10, S-373 00 Jämjö (SE). **ÅKESSON, Jörgen** [SE/SE]; Ölgersjövägen 25, S-371 94 Lyckeby (SE).
- (74) Agent: **STRÖM & GULLIKSSON AB**; Box 4188, S-203 13 Malmö (SE).

(81) Designated States (unless otherwise indicated, for every kind of national protection available): AE, AG, AL, AM, AO, AT, AU, AZ, BA, BB, BG, BH, BR, BW, BY, BZ, CA, CH, CL, CN, CO, CR, CU, CZ, DE, DK, DM, DO, DZ, EC, EE, EG, ES, FI, GB, GD, GE, GH, GM, GT, HN, HR, HU, ID, IL, IN, IS, JP, KE, KG, KM, KN, KP, KR, KZ, LA, LC, LK, LR, LS, LT, LU, LY, MA, MD, ME, MG, MK, MN, MW, MX, MY, MZ, NA, NG, NI, NO, NZ, OM, PE, PG, PH, PL, PT, RO, RS, RU, SC, SD, SE, SG, SK, SL, SM, ST, SV, SY, TH, TJ, TM, TN, TR, TT, TZ, UA, UG, US, UZ, VC, VN, ZA, ZM, ZW.

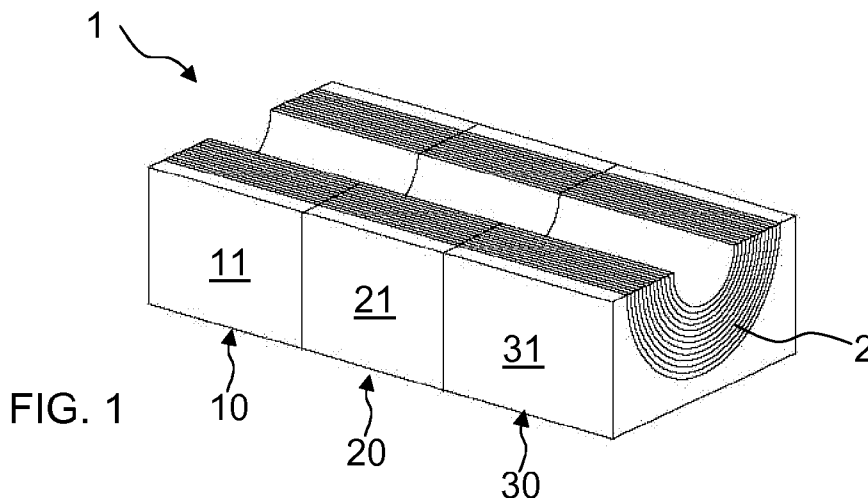
(84) Designated States (unless otherwise indicated, for every kind of regional protection available): ARIPO (BW, GH, GM, KE, LS, MW, MZ, NA, SD, SL, SZ, TZ, UG, ZM, ZW), Eurasian (AM, AZ, BY, KG, KZ, MD, RU, TJ, TM), European (AT, BE, BG, CH, CY, CZ, DE, DK, EE, ES, FI, FR, GB, GR, HR, HU, IE, IS, IT, LT, LU, LV, MC, MK, MT, NL, NO, PL, PT, RO, SE, SI, SK, SM, TR), OAPI (BF, BJ, CF, CG, CI, CM, GA, GN, GQ, GW, ML, MR, NE, SN, TD, TG).

**Published:**

- with international search report (Art. 21(3))
- before the expiration of the time limit for amending the claims and to be republished in the event of receipt of amendments (Rule 48.2(h))

(88) Date of publication of the international search report:  
10 March 2011

(54) Title: A PIPE OR CABLE LEAD-THROUGH HAVING MODULARIZED MODULES



(57) Abstract: A compressible module having an axial groove for localisation of the cable or pipe is characterized in that said compressible module in the direction of the cable or pipe, comprises at least two module sections or submodules (10, 20, 30, 310, 320, 330) having differing physical properties.



WO 2010/089286 A3

**INTERNATIONAL SEARCH REPORT**

International application No  
PCT/EP2010/051230

<b>A. CLASSIFICATION OF SUBJECT MATTER</b> INV. H02G3/22 F16L5/00 ADD.		
According to International Patent Classification (IPC) or to both national classification and IPC		
<b>B. FIELDS SEARCHED</b> Minimum documentation searched (classification system followed by classification symbols) H02G F16L H01B		
Documentation searched other than minimum documentation to the extent that such documents are included in the fields searched		
Electronic data base consulted during the international search (name of data base and, where practical, search terms used) EPO-Internal, WPI Data		
<b>C. DOCUMENTS CONSIDERED TO BE RELEVANT</b>		
Category*	Citation of document, with indication, where appropriate, of the relevant passages	Relevant to claim No.
X	WO 2008/140399 A1 (ROXTEC AB; AAKESSON NIKLAS [SE]) 20 November 2008 (2008-11-20)	1-10,13, 14
Y	page 2, line 23 - page 3, line 2 page 3, line 17 - page 7, line 2; figures 1-2	11,12
Y	DE 87 07 566 U1 (POLOPLAST KUNSTSTOFFWERK DER ETERNIT-WERKE LUDWIG HATSCHKE ---) 16 July 1987 (1987-07-16) page 3, paragraph 2 page 4, last paragraph; figures 2,2a page 5, paragraph 3	11
Y	WO 2008/069716 A1 (MCT BRATTBERG AB [SE]; JOHANSSON BENGT [SE]) 12 June 2008 (2008-06-12)	12
A	page 7, line 8 - page 9, line 13; figures 2-4	1-11,13, 14
	----- -/--	
<input checked="" type="checkbox"/> Further documents are listed in the continuation of Box C. <input checked="" type="checkbox"/> See patent family annex.		
* Special categories of cited documents :		
*A* document defining the general state of the art which is not considered to be of particular relevance *E* earlier document but published on or after the international filing date *L* document which may throw doubts on priority claim(s) or which is cited to establish the publication date of another citation or other special reason (as specified) *O* document referring to an oral disclosure, use, exhibition or other means *P* document published prior to the international filing date but later than the priority date claimed		*T* later document published after the international filing date or priority date and not in conflict with the application but cited to understand the principle or theory underlying the invention *X* document of particular relevance; the claimed invention cannot be considered novel or cannot be considered to involve an inventive step when the document is taken alone *Y* document of particular relevance; the claimed invention cannot be considered to involve an inventive step when the document is combined with one or more other such documents, such combination being obvious to a person skilled in the art. *&* document member of the same patent family
Date of the actual completion of the international search  <p align="center">19 January 2011</p>		Date of mailing of the international search report  <p align="center">25/01/2011</p>
Name and mailing address of the ISA/ European Patent Office, P.B. 5818 Patentlaan 2 NL - 2280 HV Rijswijk Tel. (+31-70) 340-2040, Fax: (+31-70) 340-3016		Authorized officer  <p align="center">Hermann, Robert</p>

## INTERNATIONAL SEARCH REPORT

International application No

PCT/EP2010/051230

C(Continuation). DOCUMENTS CONSIDERED TO BE RELEVANT

Category*	Citation of document, with indication, where appropriate, of the relevant passages	Relevant to claim No.
A	WO 2006/130104 A1 (ROXTEC AB [SE]; LUNDBORG CHRISTER [SE]) 7 December 2006 (2006-12-07) the whole document -----	1-14
A	EP 0 429 916 A2 (ROXTEC AB [SE]) 5 June 1991 (1991-06-05) the whole document -----	1-14

# INTERNATIONAL SEARCH REPORT

Information on patent family members

International application No PCT/EP2010/051230
---

Patent document cited in search report	Publication date	Patent family member(s)	Publication date
WO 2008140399	A1	20-11-2008	EP 2145126 A1 20-01-2010
			JP 2010527649 T 19-08-2010
			KR 20100024415 A 05-03-2010
			SE 0701182 A 17-06-2008
			US 2010219589 A1 02-09-2010
DE 8707566	U1	16-07-1987	FR 2615925 A1 02-12-1988
			IT 214407 Z2 03-05-1990
WO 2008069716	A1	12-06-2008	NONE
WO 2006130104	A1	07-12-2006	BR PI0609264 A2 09-03-2010
			CN 101185219 A 21-05-2008
			EP 1886390 A1 13-02-2008
			JP 2008533748 T 21-08-2008
			KR 20080009145 A 24-01-2008
			SE 528689 C2 23-01-2007
			SE 0501233 A 01-12-2006
			US 2009194644 A1 06-08-2009
EP 0429916	A2	05-06-1991	AT 120050 T 15-04-1995
			DE 8913702 U1 08-02-1990
			JP 3076364 B2 14-08-2000
			JP 3177680 A 01-08-1991