



US00D994477S

(12) **United States Design Patent**  
**Wu et al.**

(10) **Patent No.:** **US D994,477 S**  
(45) **Date of Patent:** **\*\* Aug. 8, 2023**

(54) **BRACKET APPLIED TO A WINDOW TREATMENT**

FOREIGN PATENT DOCUMENTS

(71) Applicant: **Lutron Technology Company LLC**,  
Coopersburg, PA (US)

BE 200900404 9/2011  
CN 302935425 9/2014

(Continued)

(72) Inventors: **Mailing Ren Wu**, Lansdale, PA (US);  
**Margaret A. Block**, Allentown, PA (US);  
**David A. Kirby**, Zionsville, PA (US);  
**Vladislav Pejic**, Allentown, PA (US)

OTHER PUBLICATIONS

Coulisse, Absolute Roller Blind 2.0 Brochure, Aug. 2015, 124 pages.

(Continued)

(73) Assignee: **Lutron Technology Company LLC**,  
Coopersburg, PA (US)

*Primary Examiner* — Keli L Hill

*Assistant Examiner* — Harold E Blackwell, II

(74) *Attorney, Agent, or Firm* — Saidman DesignLaw Group, LLC

(\*\*) Term: **15 Years**

(57) **CLAIM**

(21) Appl. No.: **29/847,596**

The ornamental design for a bracket applied to a window treatment, as shown and described.

(22) Filed: **Jul. 26, 2022**

**DESCRIPTION**

**Related U.S. Application Data**

(63) Continuation of application No. 29/772,085, filed on Feb. 26, 2021, now Pat. No. Des. 962,043.

FIG. 1 is a perspective view of a bracket applied to a window treatment showing our design;

FIG. 2 is another perspective view thereof;

FIG. 3 is a front view thereof;

FIG. 4 is a rear view thereof;

FIG. 5 is a left side view thereof;

FIG. 6 is a right side view thereof;

FIG. 7 is a top view thereof;

FIG. 8 is a bottom view thereof;

FIG. 9 is a perspective view thereof in an alternate position;

FIG. 10 is another perspective view thereof;

FIG. 11 is a front view thereof;

FIG. 12 is a rear view thereof;

FIG. 13 is a left side view thereof;

FIG. 14 is a right side view thereof;

FIG. 15 is a top view thereof; and,

FIG. 16 is a bottom view thereof.

The broken lines illustrate structure or features which form no part of the claimed design.

(51) **LOC (14) Cl.** ..... **08-05**

(52) **U.S. Cl.**

USPC ..... **D8/381**; D8/356; D8/376

(58) **Field of Classification Search**

USPC ..... D8/376, 355, 363, 349, 356, 377, 382,  
D8/383, 381; D6/576, 580, 579

(Continued)

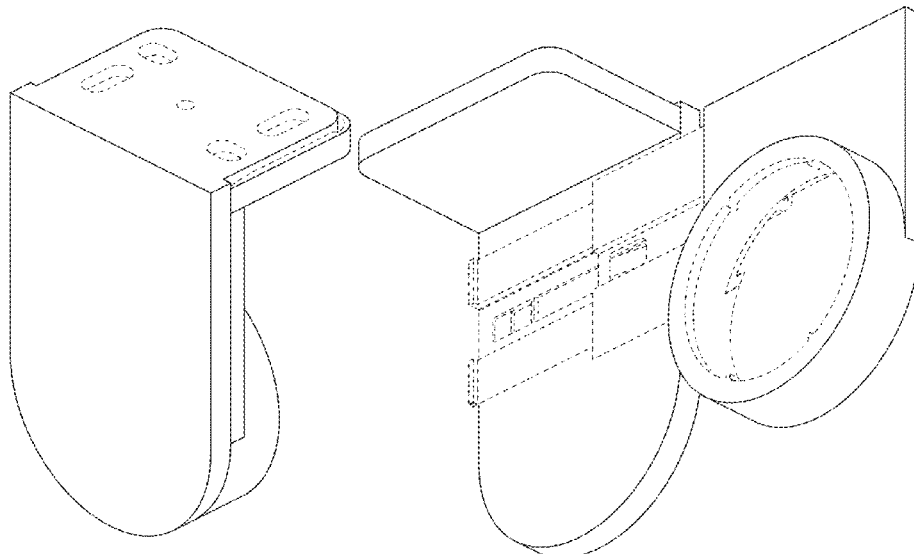
(56) **References Cited**

**U.S. PATENT DOCUMENTS**

846,089 A 3/1907 Cannon  
1,557,419 A 10/1925 Clarke

(Continued)

**1 Claim, 8 Drawing Sheets**



(58) **Field of Classification Search**  
 CPC ..... Y10S 160/901; B60J 1/205; B60J 1/2069;  
 B66D 1/39; A47H 5/06  
 See application file for complete search history.

(56) **References Cited**

U.S. PATENT DOCUMENTS

2,031,698	A	2/1936	Fanzoi	
2,108,939	A	2/1938	Lewis	
D161,199	S	12/1950	Perelman	
D182,161	S	2/1958	Bulman	
4,368,771	A	1/1983	Hopper	
4,771,966	A	9/1988	Anderson	
D322,211	S	12/1991	Gary	
D327,192	S	6/1992	Geuvjehizian	
D336,580	S	6/1993	White et al.	
D355,094	S	2/1995	Josephson	
5,651,487	A	7/1997	Hansen	
D422,886	S	4/2000	Shea	
D534,059	S	12/2006	Goldenberg et al.	
7,207,371	B2	4/2007	Hsu	
D547,985	S	8/2007	Kubota	
7,267,311	B2	9/2007	Jung	
D594,312	S	6/2009	Clarke	
7,740,047	B2	6/2010	Koop et al.	
D622,993	S	9/2010	Park et al.	
7,849,907	B2	12/2010	Jang	
D632,118	S	2/2011	Clarke	
7,931,069	B2	4/2011	Cannaverde et al.	
D669,771	S	10/2012	Geiger	
8,307,879	B2	11/2012	Lin	
D694,039	S	11/2013	Licciardi Di Stefano	
D695,042	S	12/2013	Licciardi Di Stefano	
D705,040	S	5/2014	Konrad et al.	
D712,727	S	9/2014	Geiger	
8,967,568	B2	3/2015	Wills et al.	
D731,876	S *	6/2015	Di Stefano	D8/363
9,045,939	B2	6/2015	Blair et al.	
D733,536	S	7/2015	Di Stefano	
D733,537	S *	7/2015	Di Stefano	D8/363
D740,108	S *	10/2015	Di Stefano	D6/580
D741,697	S *	10/2015	McGrath	D8/382
9,237,821	B2	1/2016	Geiger	
D758,827	S	6/2016	Grasselli et al.	
D780,481	S *	3/2017	Clymer	D6/580
9,587,429	B2	3/2017	Cheng	
D791,581	S *	7/2017	Lin	D8/356
D798,133	S *	9/2017	Ng	D8/380
9,840,870	B2	12/2017	Lu et al.	
D817,660	S	5/2018	Raiti	
9,988,839	B2	6/2018	Geiger	
D822,473	S *	7/2018	Ng	D8/383
10,309,461	B2	6/2019	Ng	
D871,105	S	12/2019	Pejic et al.	
D871,795	S	1/2020	Pejic	
D874,183	S *	2/2020	Pejic	D6/580
D877,536	S	3/2020	Jones	
10,590,699	B2	3/2020	Chen	
D883,776	S *	5/2020	Pejic	D8/381
10,808,455	B2 *	10/2020	Hebeisen	G09F 11/18
D911,743	S *	3/2021	Pejic	D6/580
D916,583	S *	4/2021	Pejic	D8/356
D941,053	S *	1/2022	Pejic	D6/580
11,230,882	B2 *	1/2022	Blair	E06B 9/72
D943,401	S *	2/2022	Pejic	D8/363
11,280,131	B2 *	3/2022	Adams	E06B 9/32
D947,659	S *	4/2022	Pejic	D8/356
D953,148	S *	5/2022	Wu	D6/580
D953,847	S *	6/2022	Blair	D6/580
D962,043	S *	8/2022	Wu	D8/356
D962,044	S *	8/2022	Blair	D8/356
D976,089	S *	1/2023	Pejic	D8/356
D976,685	S *	1/2023	Pejic	D8/356
2006/0118248	A1	6/2006	Anderson et al.	
2007/0175004	A1	8/2007	Chien	
2008/0053625	A1	3/2008	Anthony	

2009/0250177	A1	10/2009	Byeon	
2009/0283226	A1	11/2009	Cheng	
2010/0269983	A1	10/2010	Kirby	
2011/0067820	A1	3/2011	Hsu et al.	
2011/0139382	A1	6/2011	Daniels	
2011/0186240	A1	8/2011	Lin	
2011/0186246	A1	8/2011	Lin	
2011/0259533	A1	10/2011	Lin	
2012/0043027	A1	2/2012	Chen	
2012/0043029	A1	2/2012	Gaskill et al.	
2012/0255686	A1	10/2012	Huang	
2013/0037646	A1	2/2013	Ohl et al.	
2013/0255894	A1	10/2013	Kim	
2014/0069595	A1	3/2014	Chen	
2014/0182793	A1	7/2014	Byun	
2014/0231032	A1	8/2014	Blair	
2014/0251558	A1	9/2014	Chou	
2014/0262068	A1	9/2014	Buccola, Jr. et al.	
2014/0305602	A1	10/2014	Kirby et al.	
2014/0374036	A1	12/2014	Chen	
2015/0184454	A1	7/2015	Strand	
2016/0083999	A1	3/2016	Chen et al.	
2016/0123076	A1	5/2016	Kirby	
2016/0130863	A1	5/2016	Cheng	
2016/0130869	A1	5/2016	Cheng	
2016/0348428	A1	12/2016	Cheng	
2016/0369558	A1	12/2016	Kirby	
2017/0096855	A1	4/2017	Chen	
2017/0183908	A1	6/2017	Lu et al.	
2017/0284153	A1	10/2017	Reiner et al.	
2018/0023340	A1	1/2018	Goldberg et al.	
2018/0112462	A1	4/2018	Chen et al.	
2018/0171710	A1 *	6/2018	Kirby	E06B 9/72
2018/0179812	A1	6/2018	Dubina et al.	
2019/0017321	A1	1/2019	Chen	
2019/0100960	A1	4/2019	Chen	
2019/0345761	A1	11/2019	Hsu et al.	
2019/0345762	A1	11/2019	Cheng	
2019/0383094	A1	12/2019	Kwon	
2020/0071994	A1	3/2020	Lin	
2020/0080372	A1	3/2020	Hsu et al.	

FOREIGN PATENT DOCUMENTS

CN	304833145	9/2018
CN	304966457	12/2018
CN	305021077	2/2019
CN	305026565	2/2019
CN	305026566	2/2019
CN	305565812	1/2020
DE	G 89 14 725.1	8/1990
DE	20 2012 007 904 U1	1/2014
EM	002210195-0002	10/2013
EP	2 354 430 A2	8/2011
JP	2013-14931 A	1/2013
JP	D1498668	6/2014
WO	D063559-023	5/2003
WO	D063559-024	5/2003

OTHER PUBLICATIONS

Lovable Products From Coolaroo for Shade Sails or Exterior Blinds or Umbrellas or Pet Beds Ideas, posted Jul. 27, 2017, [retrieved Mar. 27, 2018]. Retrieved from Internet, <URL: <http://www.marcharlessteakhouse.com/lovable-products-from-coolaroo-for-shade-sails-or-exterior-blinds-or-umbrellas-or-pet-beds-ideas/coolaroo-material-coolaroo-sun-shades-coolaroo/>>.

How to Remove Coolaroo Exterior Sun Shades, posted Aug. 30, 2013, [retrieved Mar. 27, 2018]. Retrieved from Internet, <URL: <https://www.youtube.com/watch?v=8GFJ2UY3fVI>>.

Roller Shade & Blackouts Installation, posted unknown, [retrieved Mar. 27, 2018]. Retrieved from Internet, <URL: <http://www.theshadedesigners.com/how-to-install/installation-rollershadesblackouts/>>.

(56)

**References Cited**

## OTHER PUBLICATIONS

Coolaroo Exterior Sun Shade Idle End Unit, posted unknown, [retrieved Mar. 27, 2018]. Retrieved from Internet, <URL: <https://wholesaleblindparts.com/products/copy-of-coolaroo-exterior-sun-shade-cordless-crank-kit>>.

Coolaroo, Exterior Roller Sun Shade Installation Instructions, Apr. 2012, 12 pages.

Coolaroo, Cordless Sun Shade Installation Instructions, Jun. 2013, 12 pages.

Somfy Systems, Inc., Motor Catalog, Dec. 2003 (78 pages).

Lutron Electronics Co., Inc., Sivoia QS Roller 64 Shades Specification Submittal, 2007 (16 pages).

Lutron Electronics Co., Inc., Sivoia QED Roller 20 Shades Product Specification, 2008 (14 pages).

The Shade Store Blog, "Go for the Gold, Silver, or Bronze Window Treatment Hardware", posted Aug. 1, 2012 [retrieved Aug. 21, 2019]. Retrieved from Internet, <URL: <https://www.theshadestore.com/blog/go-for-the-gold-silver-or-bronze-window-treatment-hardware/>>.

The Shade Store Blog, "How to Hang Roller Shades: Regular or Reverse Roll", posted Sep. 19, 2016 [retrieved Aug. 21, 2019].

Retrieved from Internet, <URL: <https://www.theshadestore.com/blog/how-to-hang-roller-shades/>>.

*Geigtech East Bay LLC v. Lutron Electronics Co., Inc.*, U.S. District Court for the Southern District of New York, Complaint (including Exhibits A & B), Case No. 1:18-cv-05290-CM, filed Jun. 12, 2018, 97 pages.

Spectrum White Plastic Wall Mount Folding Paper Towel Holder, Amazon.com. Oct. 2, 2001. Accessed on Jun. 16, 2019. (Year: 2001). Retrieved from Internet, <URL: <https://www.amazon.com/Spectrum-White-Plastic-Folding-Holder/dp/B001DXG21E>>.

Aura Shading by Tillys Interiors Ltd. Accessed on Jun. 16, 2019. (Year: 2019). Retrieved from Internet, <URL: <https://www.aurashading.com/finesse-roller-blinds>>.

Ambio Roller Shades by Altex Window Fashions. Accessed on Jun. 14, 2019. (Year: 2019). Retrieved from Internet, <URL: <http://altexdepot.com/products/ambio-roller-shades/>>.

U.S. Appl. No. 29/772,092, filed Feb. 26, 2021 (unpublished).

U.S. Appl. No. 29/776,225, filed Mar. 29, 2021 (unpublished).

U.S. Appl. No. 29/776,596, filed Mar. 31, 2021 (unpublished).

U.S. Appl. No. 29/776,598, filed Mar. 31, 2021 (unpublished).

\* cited by examiner

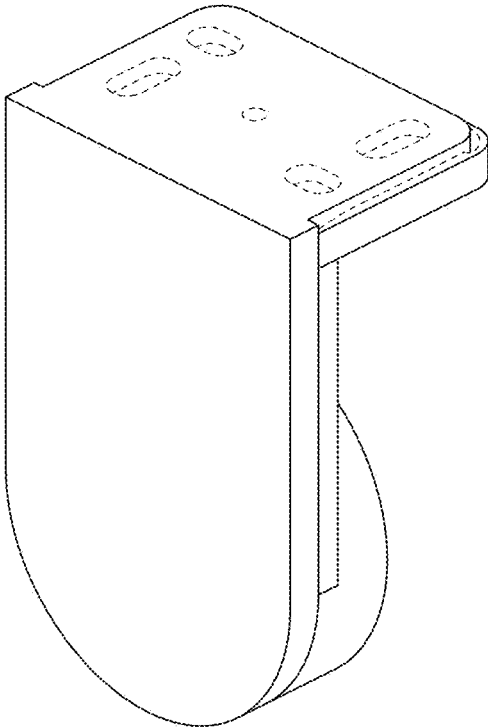


FIG. 1

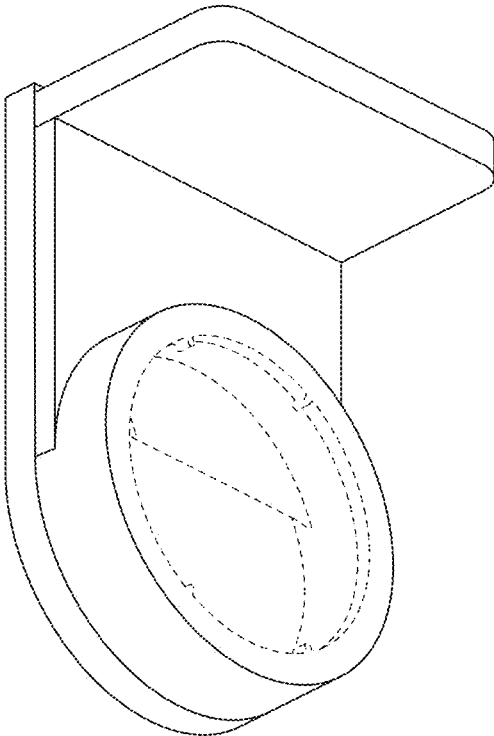


FIG. 2

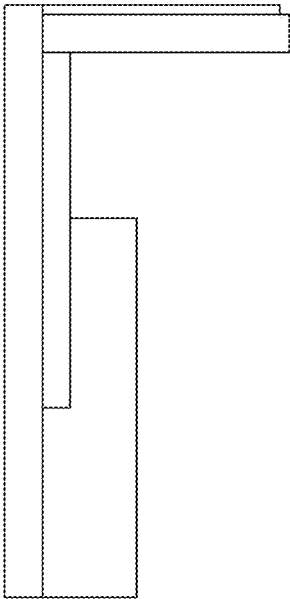


FIG. 3

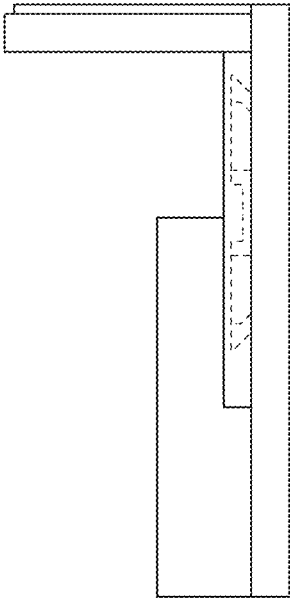


FIG. 4

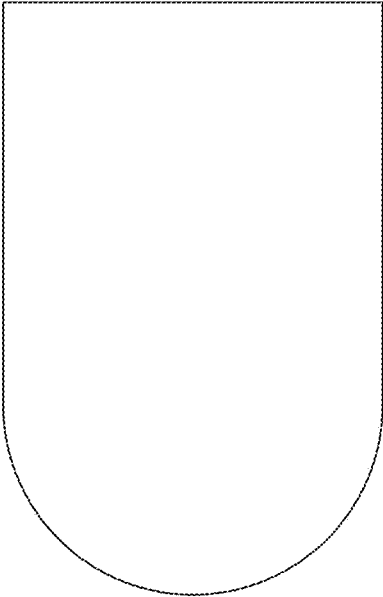


FIG. 5

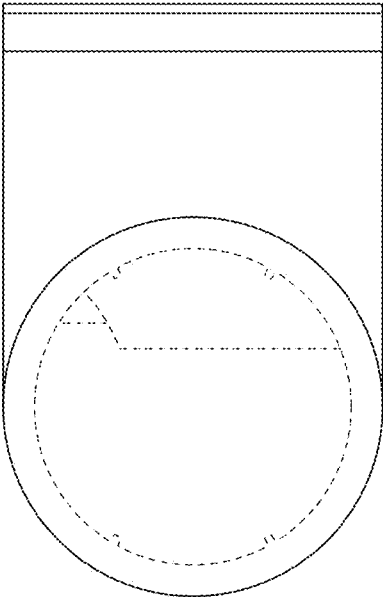


FIG. 6

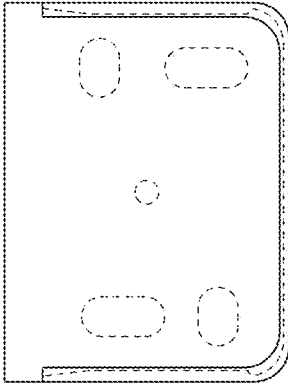


FIG. 7

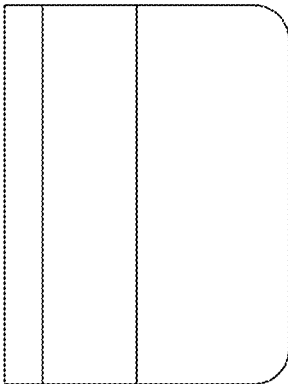


FIG. 8

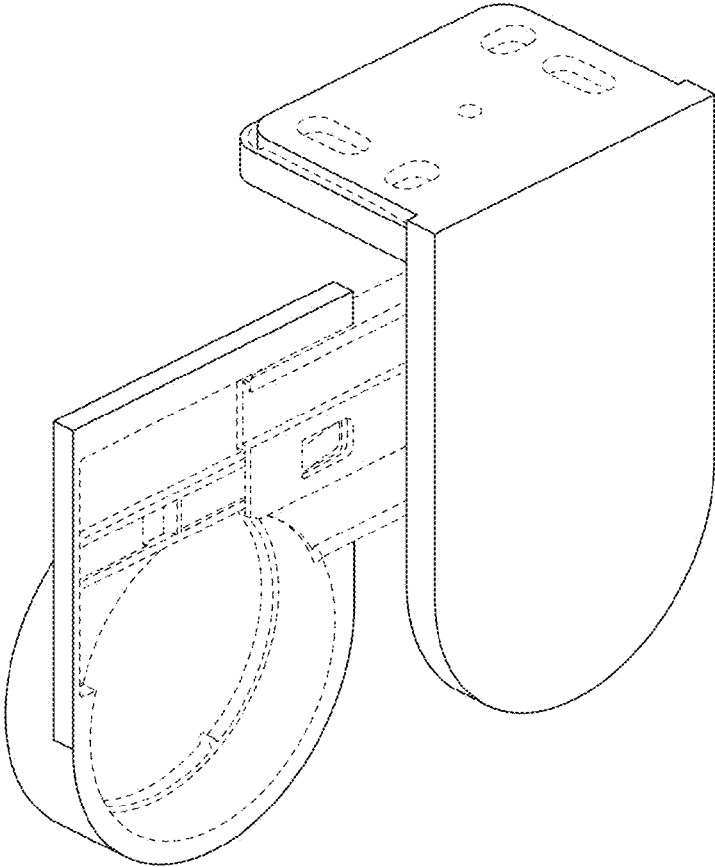


FIG. 9

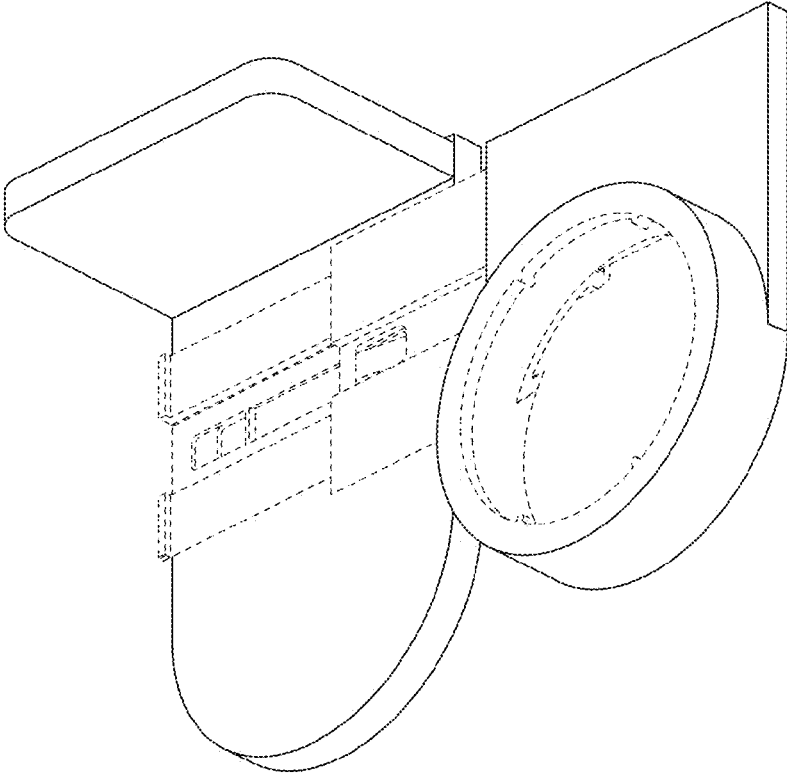


FIG. 10

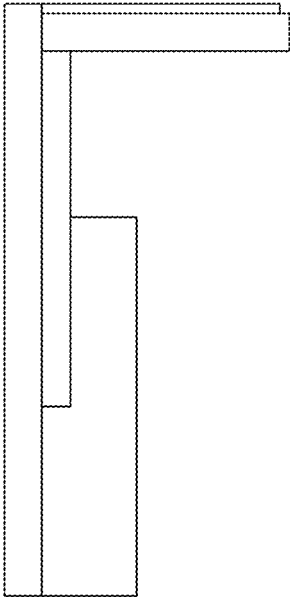


FIG. 11

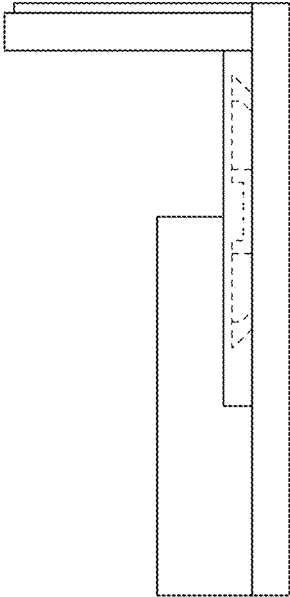


FIG. 12

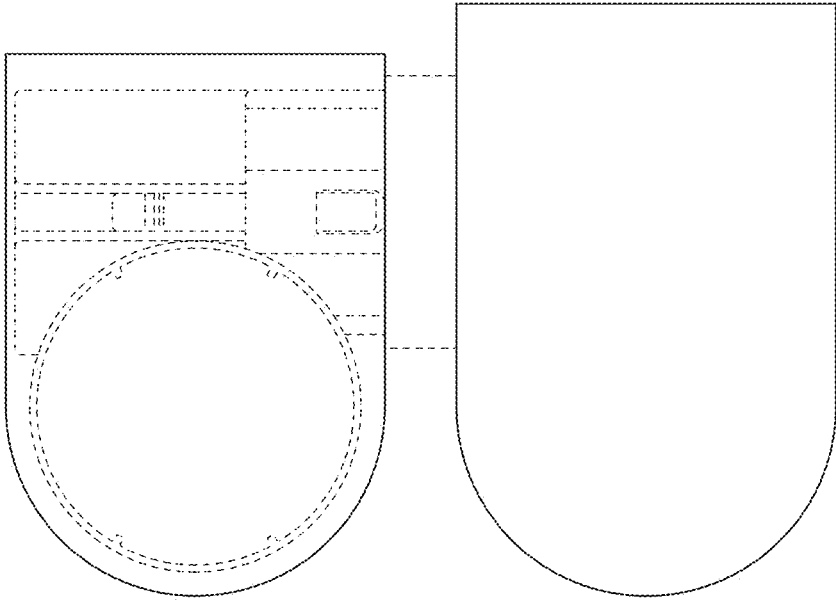


FIG. 13

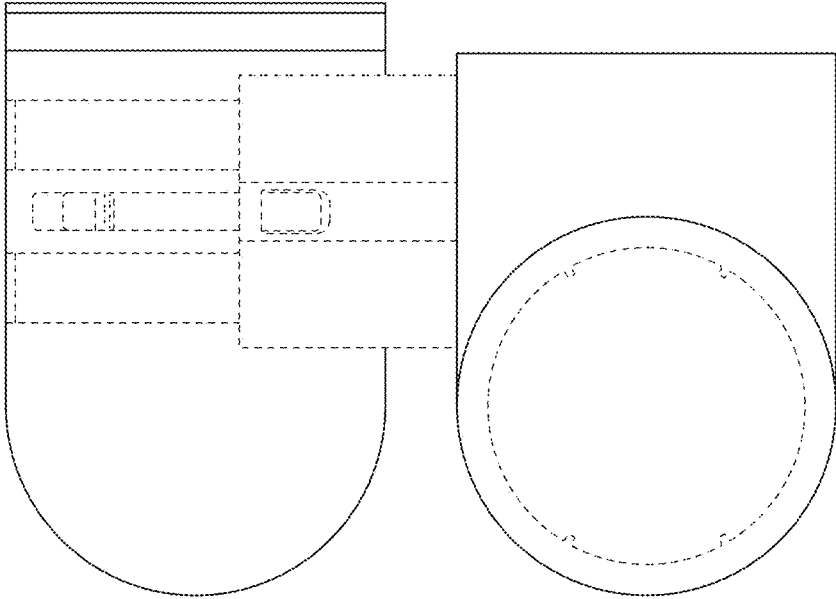


FIG. 14

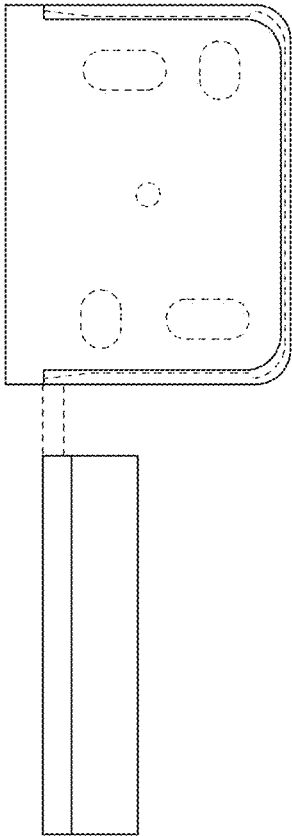


FIG. 15

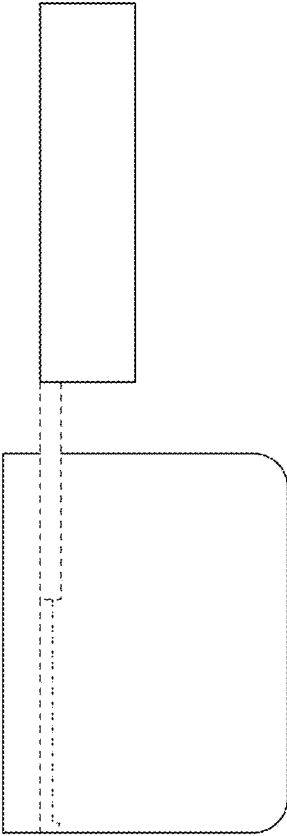


FIG. 16