



US00D668183S

(12) **United States Design Patent**  
**Smart**

(10) **Patent No.:** **US D668,183 S**

(45) **Date of Patent:** **\*\* Oct. 2, 2012**

(54) **VEHICLE BODY**

(75) Inventor: **Niki J. Smart**, Marina Del Rey, CA (US)

(73) Assignee: **GM GLocal Technology Operations LLC**, Detroit, MI (US)

(\*\*) Term: **14 Years**

(21) Appl. No.: **29/403,440**

(22) Filed: **Oct. 6, 2011**

(51) **LOC (9) Cl.** ..... **12-08**

(52) **U.S. Cl.** ..... **D12/92**

(58) **Field of Classification Search** ..... D12/86,  
D12/90-92; D21/424, 433, 434; 296/181.1,  
296/181.5

See application file for complete search history.

(56) **References Cited**

**U.S. PATENT DOCUMENTS**

D500,000	S	*	12/2004	Dyson et al.	.....	D12/92
D560,555	S	*	1/2008	Pfeiffer et al.	.....	D12/92
D592,105	S		5/2009	Dean et al.		
D597,447	S		8/2009	Folden		
D603,755	S		11/2009	Peters		
D605,082	S	*	12/2009	Munson	.....	D12/86
D605,083	S	*	12/2009	Manoogian et al.	.....	D12/86
D608,249	S		1/2010	Peters		
D609,608	S		2/2010	Boniface et al.		
D611,387	S		3/2010	Thompson et al.		
D611,879	S		3/2010	Kim et al.		
D612,297	S		3/2010	Peters et al.		
D615,458	S		5/2010	Thompson et al.		
D623,090	S	*	9/2010	Cox et al.	.....	D12/92
D644,567	S	*	9/2011	Kozub	.....	D12/92

**OTHER PUBLICATIONS**

U.S. Appl. No. 29/392,615, filed May 24, 2011; First Named Inventor: Carlos M. Barba Franco; Title: Vehicle Body.

U.S. Appl. No. 29/409,092, filed Dec. 20, 2011; First Named Inventor: Nicholas J. David; Title: Vehicle Body.

U.S. Appl. No. 29/413,221, filed Feb. 13, 2012; First Named Inventor: Joseph C. Baker; Title: Vehicle Body.

U.S. Appl. No. 29/414,260, filed Feb. 27, 2012; First Named Inventor: Steven M. McCabe; Title: Vehicle Body.

U.S. Appl. No. 29/407,580, filed Nov. 30, 2011; First Named Inventor: Robert J. Munson; Title: Vehicle Body.

\* cited by examiner

*Primary Examiner* — Melody N Brown

(74) *Attorney, Agent, or Firm* — Reising Ethington P.C.;  
Lionel D. Anderson

(57) **CLAIM**

The ornamental design for a vehicle body, as shown and described.

**DESCRIPTION**

FIG. 1 is a front view of a vehicle body showing the new design;

FIG. 2 is a left front perspective view thereof;

FIG. 3 is a left perspective view thereof;

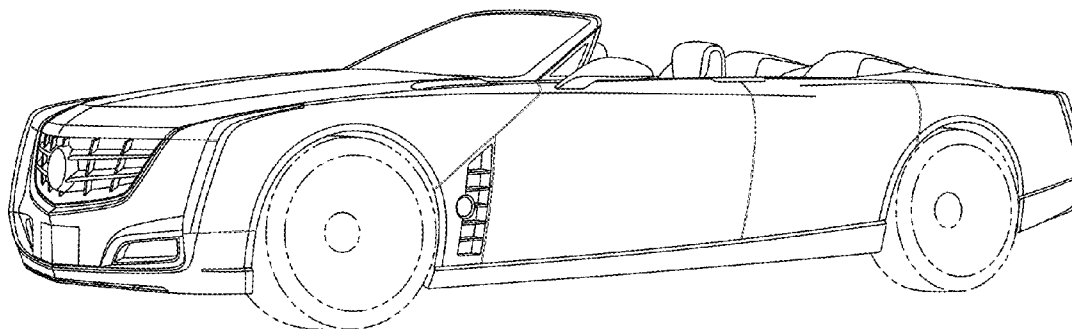
FIG. 4 is a left side view thereof, the right side being a mirror image thereof;

FIG. 5 is a rear perspective view thereof; and,

FIG. 6 is a rear view thereof.

In the drawings, the elements shown in broken lines are for illustrative purposes only and form no part of the claimed design.

**1 Claim, 6 Drawing Sheets**



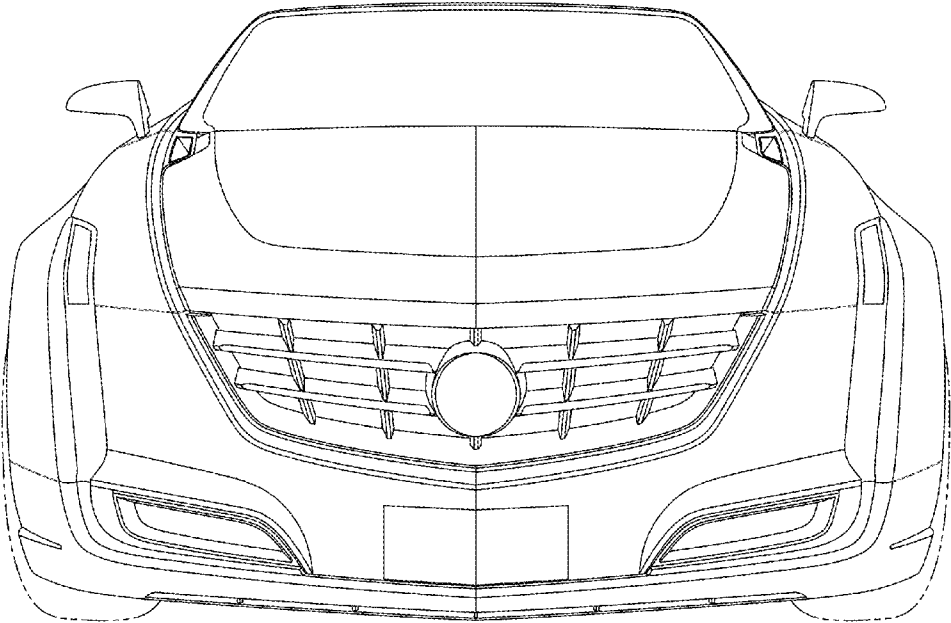


Fig-1

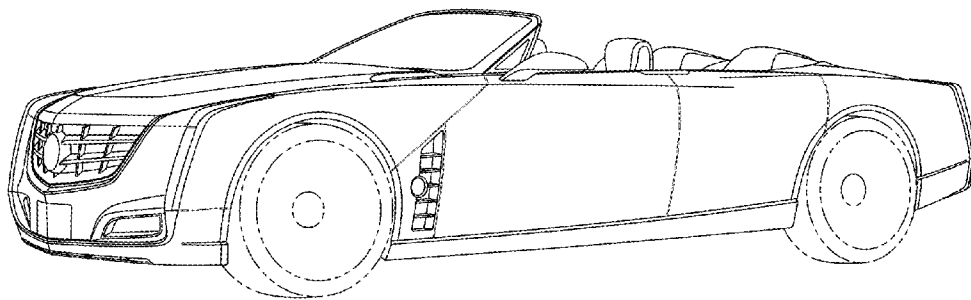


Fig-2

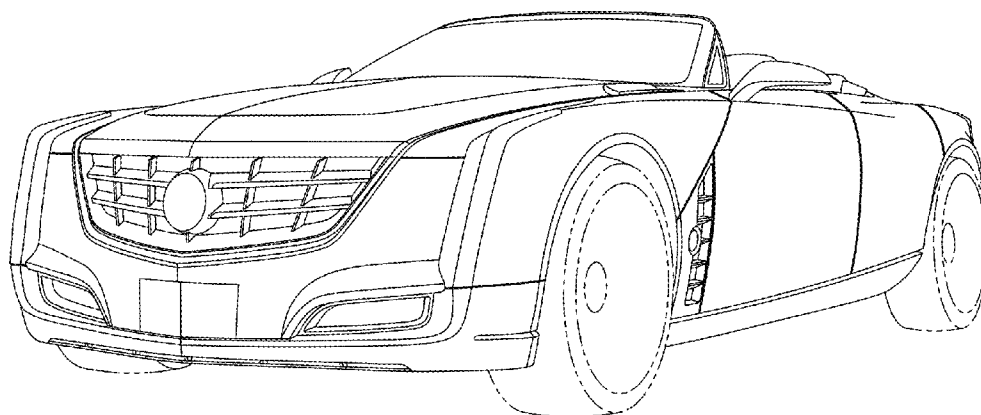


Fig-3

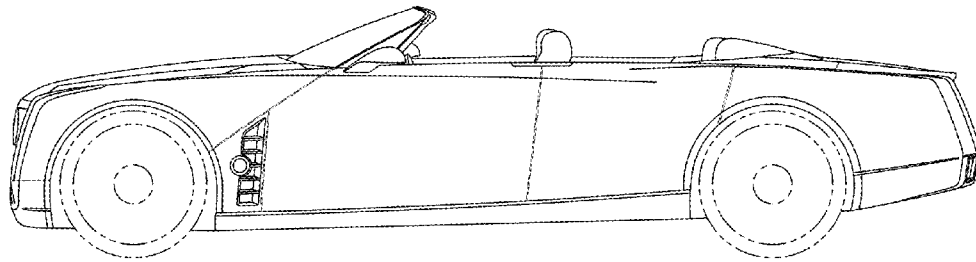


Fig-4

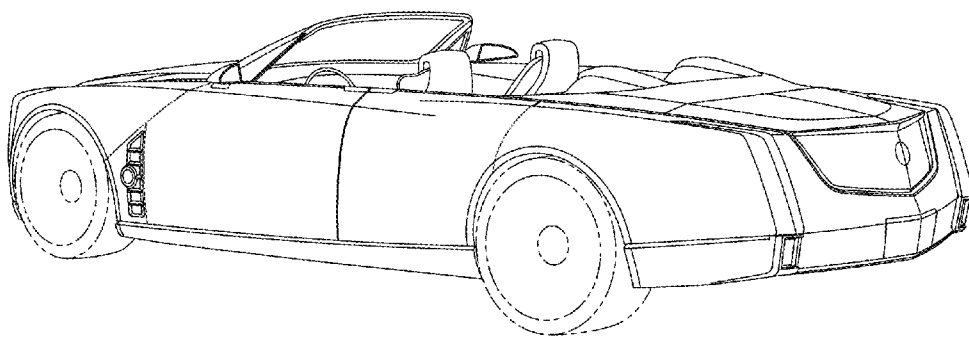


Fig-5

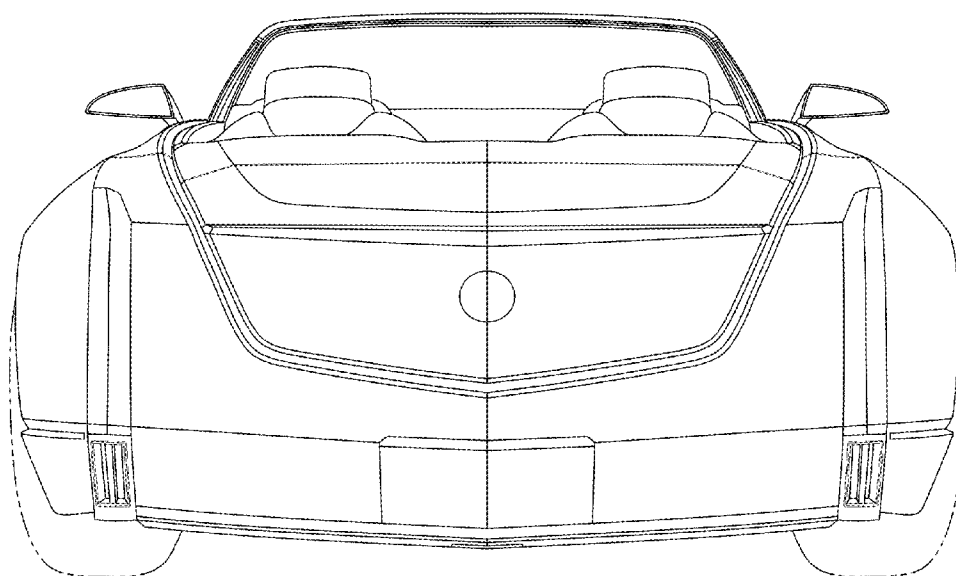


Fig-6