



US00D670222S

(12) **United States Design Patent**
Chung

(10) **Patent No.:** **US D670,222 S**

(45) **Date of Patent:** **** Nov. 6, 2012**

(54) **AUTOMOTIVE WHEEL**

(76) Inventor: **Suny Chung**, Brea, CA (US)

(**) Term: **14 Years**

(21) Appl. No.: **29/421,393**

(22) Filed: **Jul. 16, 2012**

(51) **LOC (9) Cl.** **12-16**

(52) **U.S. Cl.** **D12/209**

(58) **Field of Classification Search** D12/204-213;
301/37.101, 64.101, 65, 64.201

See application file for complete search history.

(56) **References Cited**

U.S. PATENT DOCUMENTS

D445,078 S *	7/2001	Chung	D12/209
D527,699 S *	9/2006	Kiesel	D12/209
D553,063 S *	10/2007	Pugh	D12/209
D571,274 S *	6/2008	Chung	D12/209
D584,673 S *	1/2009	Chung	D12/209

D597,462 S *	8/2009	Chung	D12/209
D620,863 S *	8/2010	Groom	D12/209
D638,763 S *	5/2011	Chung	D12/209
D639,222 S *	6/2011	Johnson	D12/209
D649,101 S *	11/2011	Hale, Jr.	D12/209
D659,064 S *	5/2012	Johnson	D12/209
D659,067 S *	5/2012	Lee	D12/209

* cited by examiner

Primary Examiner — Stacia Cadmus

(57) **CLAIM**

The ornamental design for an automotive wheel, as shown and described.

DESCRIPTION

FIG. 1 is a perspective view of an automotive wheel, showing my new design; and,

FIG. 2 is a front view thereof.

The broken line showing of the rear of the wheel is included for the purpose of illustrating environment and forms no part of the claimed design.

1 Claim, 2 Drawing Sheets

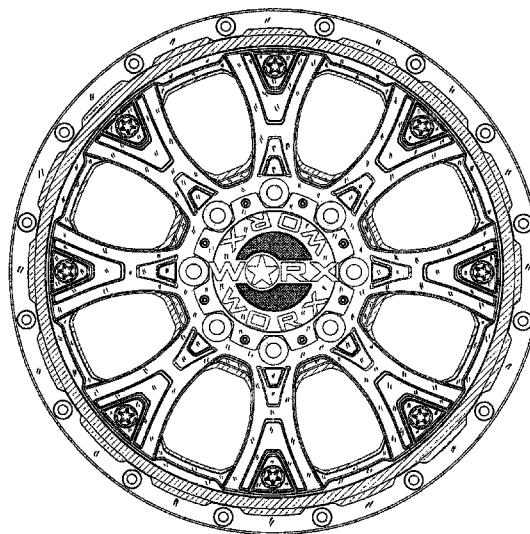
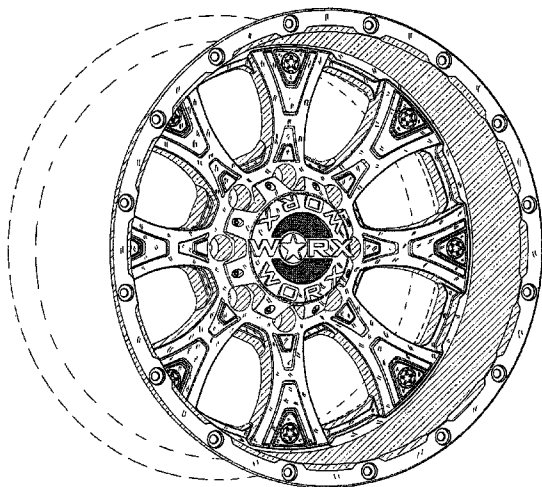


FIGURE 1

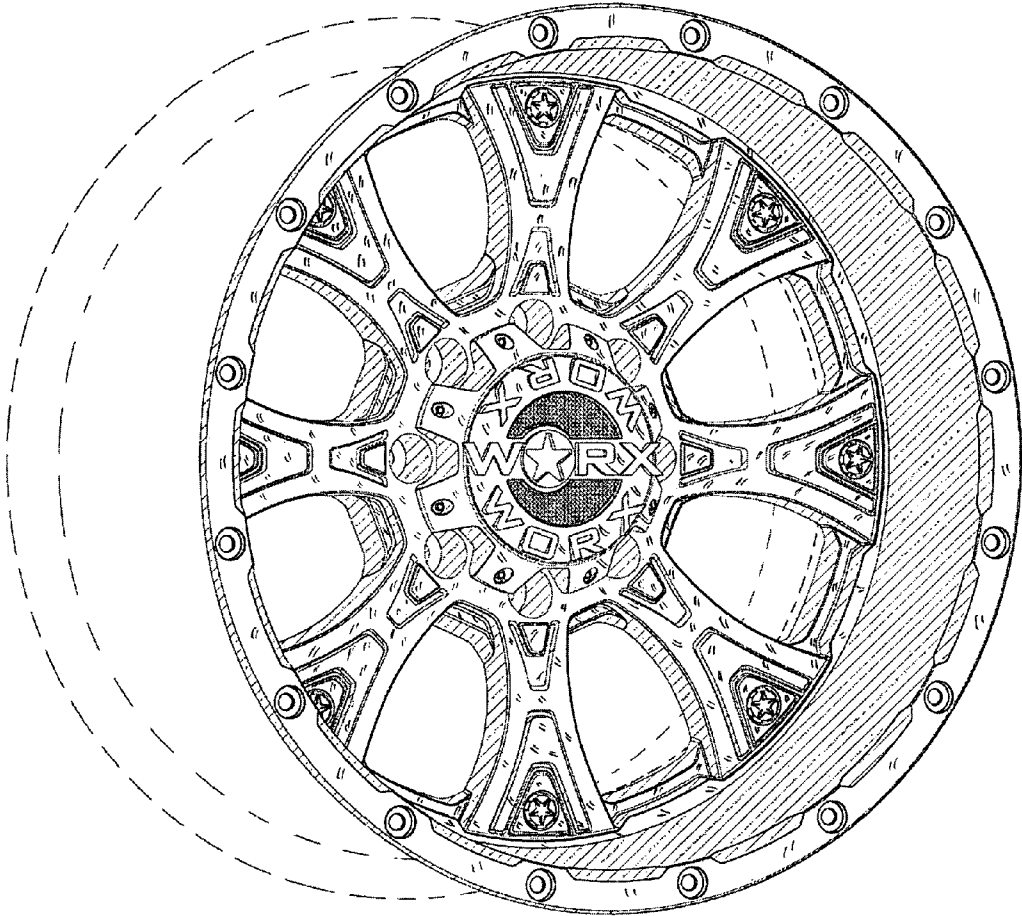


FIGURE 2

