



US00D366395S

# United States Patent [19]

[11] Patent Number: **Des. 366,395**

Wyatt et al.

[45] Date of Patent: **\*\*Jan. 23, 1996**

[54] PARTY TRAY

[75] Inventors: **William B. Wyatt**, Brentwood; **Steven A. Silverstein**, Nashville, both of Tenn.

[73] Assignee: **Aladdin Synergetics, Inc.**, Nashville, Tenn.

[\*\*] Term: **14 Years**

[21] Appl. No.: **26,806**

[22] Filed: **Aug. 5, 1994**

[52] U.S. Cl. .... **D7/554; D7/553; D7/555**

[58] Field of Search ..... **D7/505, 507, 550, D7/553, 554, 555, 557, 587, 571, 551, 556, 584, 586; D6/406; 220/DIG. 12, DIG. 26, 678, 697, 738, 636, 750, 912, 914; 206/561, 564**

1,595,356	8/1926	Moseman .	
2,240,020	4/1941	Raiser .	
2,372,872	4/1945	Wolper .	
2,561,022	7/1951	Jones .	
2,764,005	10/1951	Harris .	
2,911,681	11/1959	Distler .....	220/DIG. 12 X
2,920,804	1/1960	Minton .	
2,932,437	4/1960	Wilcox .	
4,117,948	10/1978	Collins .....	D7/505 X
4,732,274	3/1988	Bouton .	
4,823,958	4/1989	Mahmud .	
4,828,112	5/1989	Vollrath et al. .	
4,832,202	5/1989	Newman et al. .	
5,207,743	5/1993	Costarella et al. .	
5,215,203	6/1993	Malcolm .	
5,259,528	11/1993	Pace et al. .	

*Primary Examiner*—Janice E. Seeger  
*Assistant Examiner*—M. N. Pandozzi  
*Attorney, Agent, or Firm*—Sandler, Greenblum & Bernstein

## [56] References Cited

### U.S. PATENT DOCUMENTS

D. 53,651	7/1919	Adams .	
D. 211,532	6/1968	Ashton .	
D. 219,935	2/1971	Kurer .....	D7/587
D. 224,674	8/1972	Ashton .....	D7/505
D. 249,916	10/1978	Collins .....	D7/505
D. 278,197	4/1985	Harper .	
D. 286,250	10/1986	Prescott .....	D7/557
D. 297,799	9/1988	Hammer .	
D. 303,194	9/1989	Darby et al. .	
D. 311,662	10/1990	Lorenzana et al. .	
D. 314,678	2/1991	Ali .....	D6/406

## [57] CLAIM

The ornamental design for a party tray, as shown.

### DESCRIPTION

FIG. 1 is a perspective view of the party tray;  
FIG. 2 is a top plan view thereof;  
FIG. 3 is a bottom plan view thereof;  
FIG. 4 is a front elevational view thereof;  
FIG. 5 is rear elevational view thereof;  
FIG. 6 is a right side elevational view thereof; and,  
FIG. 7 is a left side elevational view thereof.

**1 Claim, 2 Drawing Sheets**

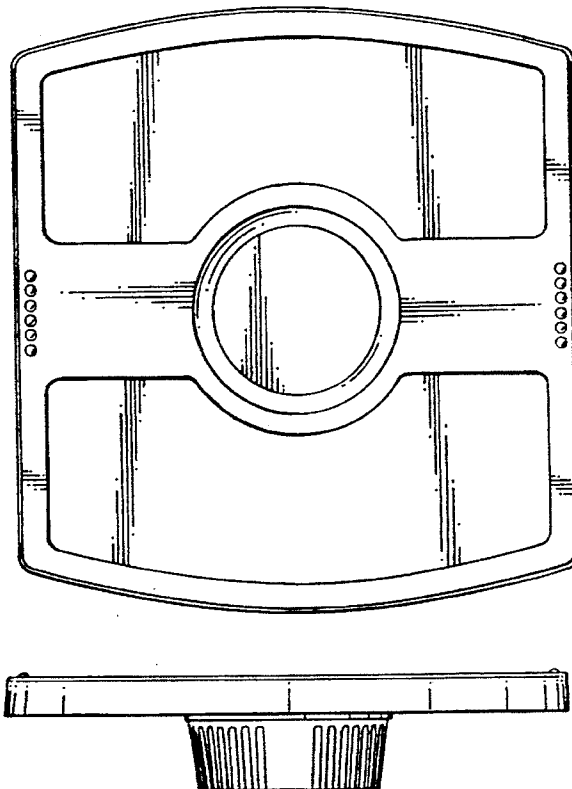


FIG - 1

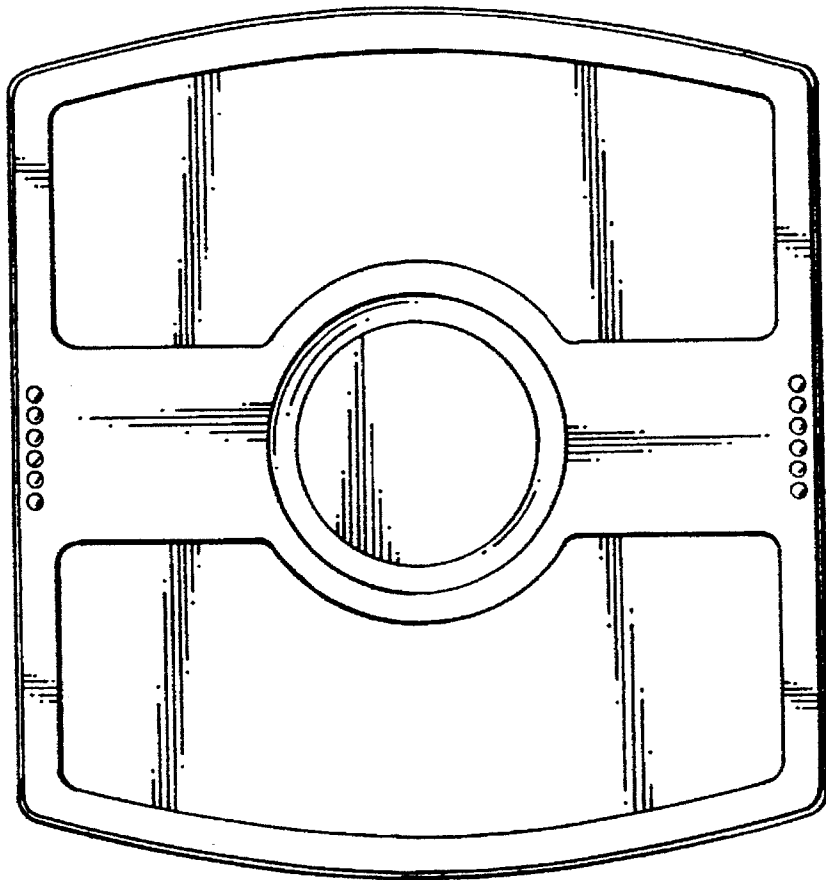
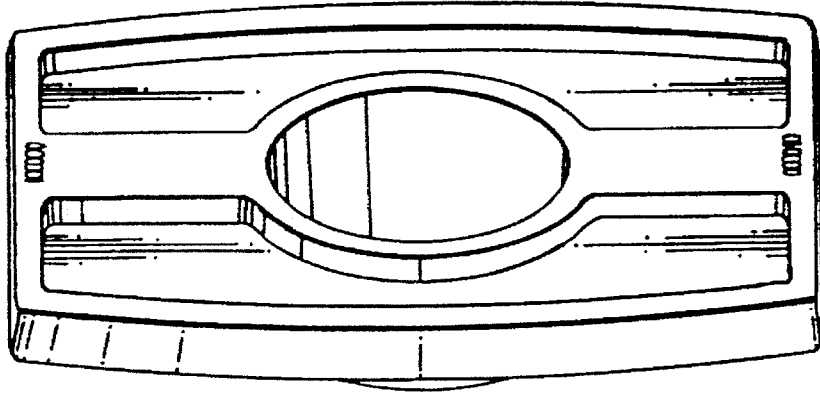


FIG - 2

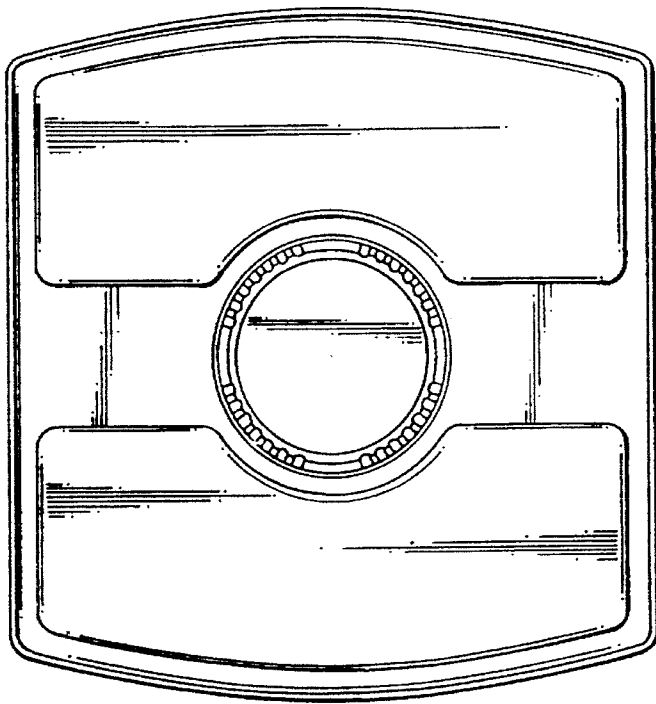


FIG - 3

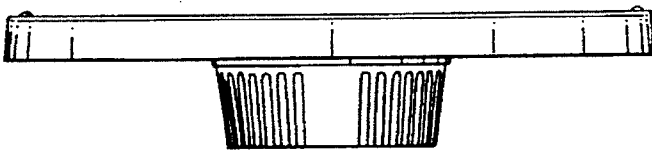


FIG - 4

FIG - 5

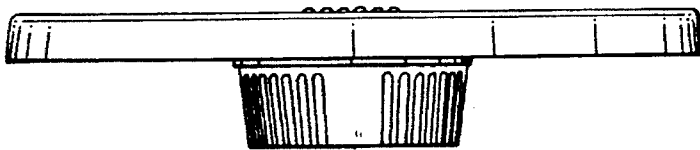
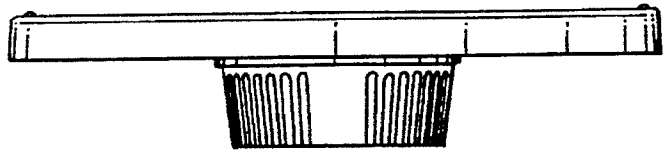


FIG - 6

FIG - 7

