

(19) World Intellectual Property Organization
International Bureau



(43) International Publication Date
30 November 2006 (30.11.2006)

PCT

(10) International Publication Number
WO 2006/128200 A1

(51) International Patent Classification:
G09F 17/00 (2006.01)

(21) International Application Number:
PCT/ZA2005/000075

(22) International Filing Date: 24 May 2005 (24.05.2005)

(25) Filing Language: English

(26) Publication Language: English

(71) Applicant and

(72) Inventor: **MUNRO, Keith, Arnold** [ZA/ZA]; 3 Robertson Street, Observatory Ext., Gauteng, South Africa, 2001 JOHANNESBURG (ZA).

(74) Agent: **MORRISON FORSTER INC**; FMI House, Glenagles Park, Flanders Drive, Mount Edgecombe, Kwa Zulu Natal /, P O Box 2004, Mount Edgecombe, Kwa Zulu Natal, 4300 DURBAN (ZA).

(81) Designated States (unless otherwise indicated, for every kind of national protection available): AE, AG, AL, AM,

AT, AU, AZ, BA, BB, BG, BR, BW, BY, BZ, CA, CH, CN, CO, CR, CU, CZ, DE, DK, DM, DZ, EC, EE, EG, ES, FI, GB, GD, GE, GH, GM, HR, HU, ID, IL, IN, IS, JP, KE, KG, KM, KP, KR, KZ, LC, LK, LR, LS, LT, LU, LV, MA, MD, MG, MK, MN, MW, MX, MZ, NA, NG, NI, NO, NZ, OM, PG, PH, PL, PT, RO, RU, SC, SD, SE, SG, SK, SL, SM, SY, TJ, TM, TN, TR, TT, TZ, UA, UG, US, UZ, VC, VN, YU, ZA, ZM, ZW.

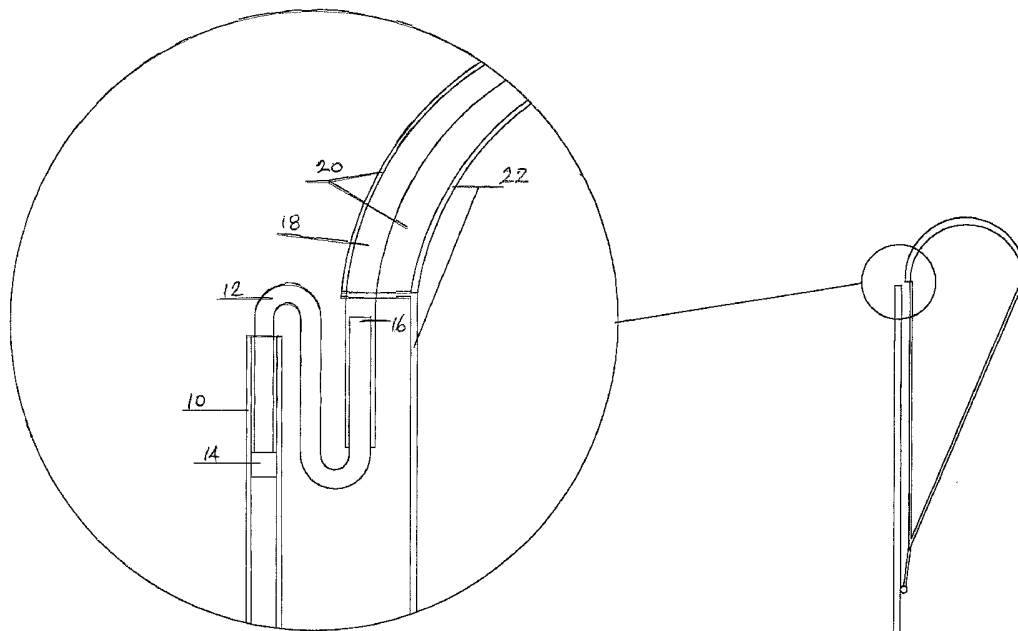
(84) Designated States (unless otherwise indicated, for every kind of regional protection available): ARIPO (BW, GH, GM, KE, LS, MW, MZ, NA, SD, SL, SZ, TZ, UG, ZM, ZW), Eurasian (AM, AZ, BY, KG, KZ, MD, RU, TJ, TM), European (AT, BE, BG, CH, CY, CZ, DE, DK, EE, ES, FI, FR, GB, GR, HU, IE, IS, IT, LT, LU, MC, NL, PL, PT, RO, SE, SI, SK, TR), OAPI (BF, BJ, CF, CG, CI, CM, GA, GN, GQ, GW, ML, MR, NE, SN, TD, TG).

Published:

— with international search report

For two-letter codes and other abbreviations, refer to the "Guidance Notes on Codes and Abbreviations" appearing at the beginning of each regular issue of the PCT Gazette.

(54) Title: **FLAGS AND BANNERS**



(57) Abstract: A supporting structure for a banner, flag or the like has a pair of poles, one being inserted into the ground or a stand, the second being joined rotationally in line with the first by means of a gooseneck.

WO 2006/128200 A1

FLAGS AND BANNERS

TECHNICAL FIELD OF THE INVENTION

This invention relates to a support for flags and banners.

BACKGROUND ART

5 The proliferation of advertising banners in recent years has prompted the design of various shapes of banners and of supports for the banners.

Most of the arrangements comprise a peripheral frame structure which is of a spring steel or fibreglass reinforced polymer. The frame is enclosed in a peripheral seam of the banner so that the material thereof is stretched due to the resilience of the frame structure.

10 In one form of the banner construction the material is stretched over a curved pole made from a spring metal or polymer. The pole may be curved at its extremity, the outer extremity being anchored in the ground or to a suitable stand or the like. It is difficult to arrange such a construction to swing easily in a wind and thereby provide an attractive appearance and although they have proved popular, there is a lack of satisfying aesthetic
15 appeal, particularly in windy conditions.

It is an object of the present invention to provide a simple arrangement whose appearance improves with increased wind and which is easy to manufacture.

DISCLOSURE OF THE INVENTION

20 According to the invention a supporting structure for a banner, flag or the like includes a first pole adapted to be inserted into the ground or anchored in a stand or the like, and a second pole which is freely rotatably mounted in line with the first pole.

In a preferred form of the invention the first pole includes a formation at a high level adapted to receive the end of the second pole in rotatable relationship.

The formation may be a block affixed to the top of the first pole, the block having a vertical orifice to receive the end of the second pole or an element associated therewith.

5 Thus, a gooseneck element may be provided whose two ends are in the ends of the two poles thus affording excellent rotational movement.

The second pole may be of spring metal or polymer and is accommodated in a hem of the banner or flag thus stretching the material to display the advertising or other printed information. However, it will be appreciated that the second pole may support a
10 conventional flag or other type of banner.

BRIEF DESCRIPTION OF THE DRAWINGS

Three embodiments of the invention are described below with reference to the accompanying drawings, all of which are cross-sectional views of the ends of the two poles thus illustrating the rotational relationship therebetween as well as a general side view.

15 BEST MODE FOR CARRYING OUT THE INVENTION

In Figure 1 a first pole 10 is anchored in the ground or stand and receives the one end of a gooseneck 12 which abuts a block 14 to maintain the neck clear of the top of the pole and thereby render it free to rotate.

The other end 16 of the gooseneck enters the lower end of the second pole 18 in
20 free relationship. The second pole supports a banner 20, the hem 22 of which is shown in the drawing. The general arrangement is shown in the general view of Figure 1.

In Figure 2, the arrangement is virtually the same, the shape of the gooseneck being a little different from that of Figure 1. The dotted line in the general view of Figure 2 shows an alternative shape of flag or banner.

The arrangement in Figure 3 includes a block 30 which receives the pole 10 in non-rotating relationship, the block being adjustable on the pole. A rope 32 extends down the pole. The second pole is housed in a cavity 34 in the block with the minimum of friction.

- 5 It will be appreciated that the systems of the invention may be easily dismantled for storage in a small space.

CLAIMS:

1. A supporting structure for a banner, flag or the like characterised by
a first pole adapted to be inserted into the ground or anchored in a stand or the like,
and
5 a second pole which is freely rotatably mounted in line with the first pole.

2. The supporting structure according to claim 1 characterised in that the first pole
includes a formation at a high level adapted to receive the end of the second pole in
rotatable relationship.

3. The supporting structure according to claim 2 characterised in that the formation is
10 a block affixed to the top of the first pole, the block having a vertical orifice to receive the
end of the second pole or an element associated therewith.

4. The supporting structure according to claim 3 characterised in that a gooseneck
element is provided whose two ends are in the ends of the two poles.

5. The supporting structure according to any of the above claims characterised in that
15 the second pole is of spring metal or polymer and is accommodated in a hem of the banner
or flag thus stretching the material to display the advertising or other printed information.

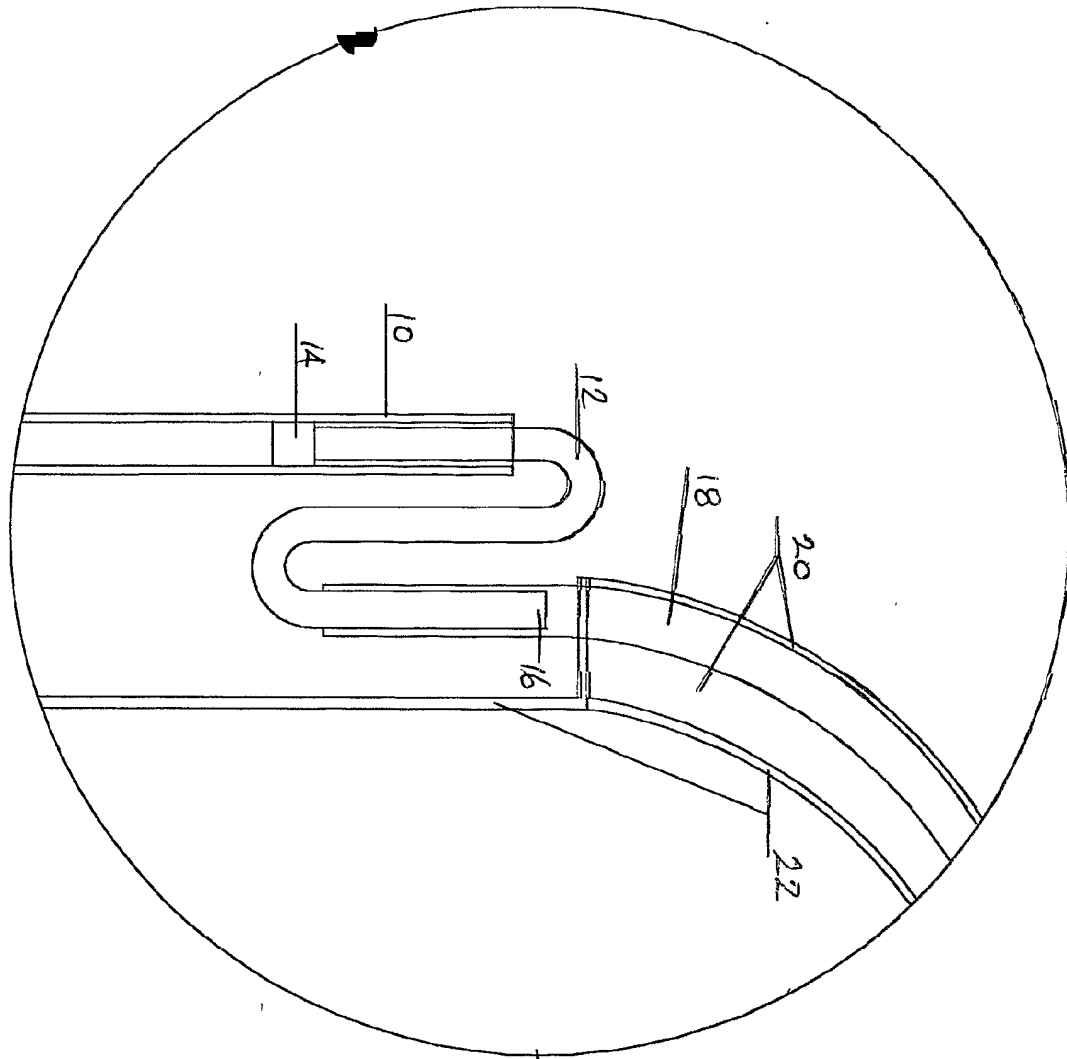
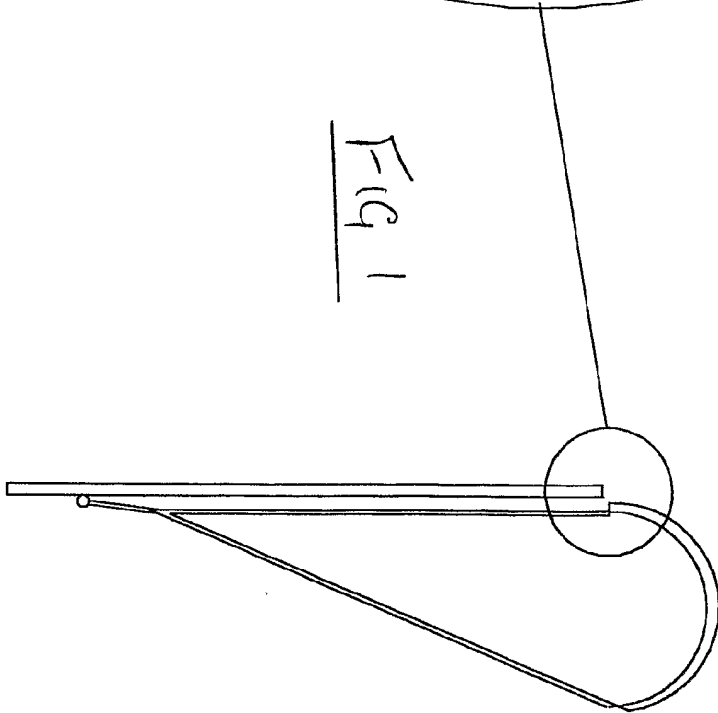
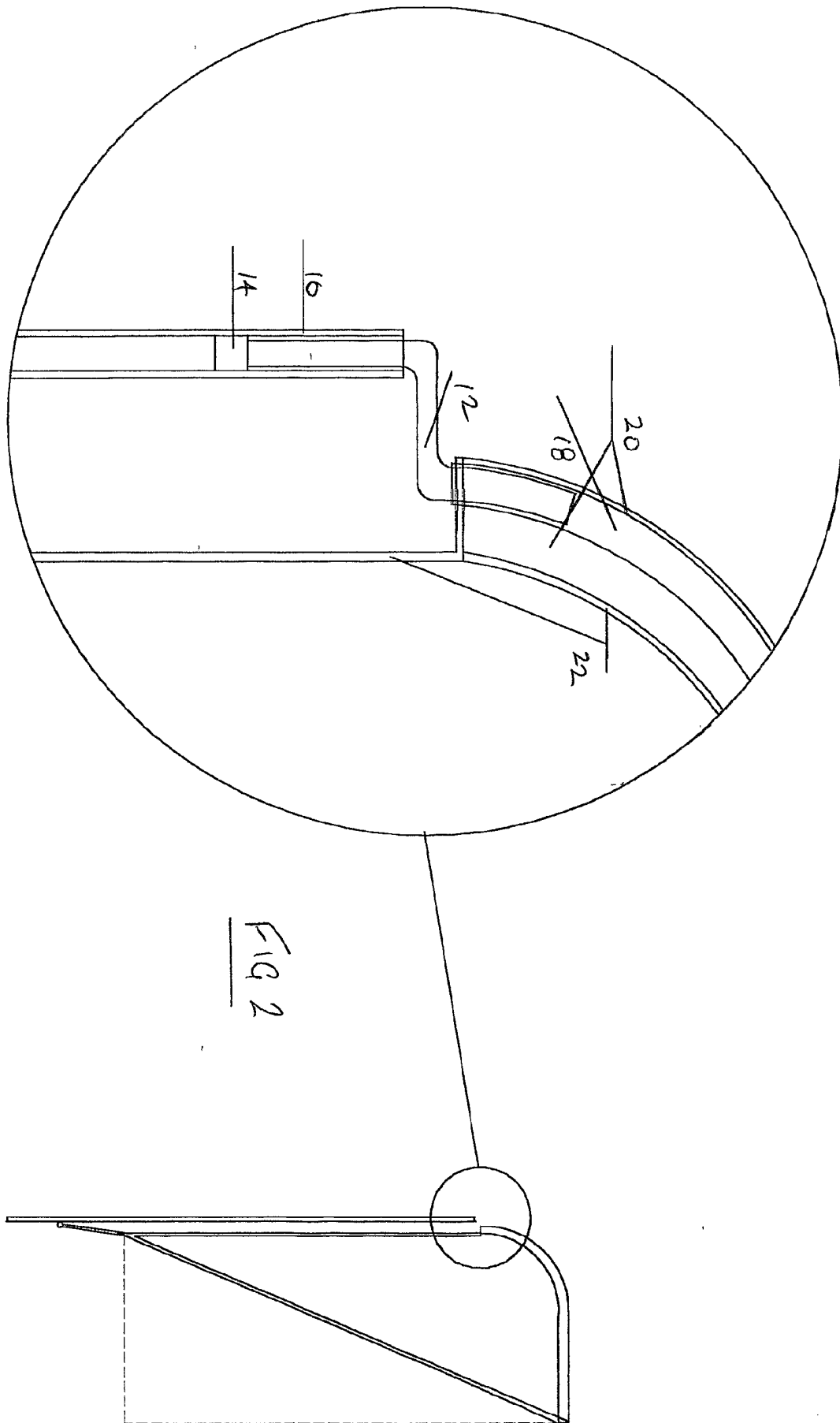


FIG 1





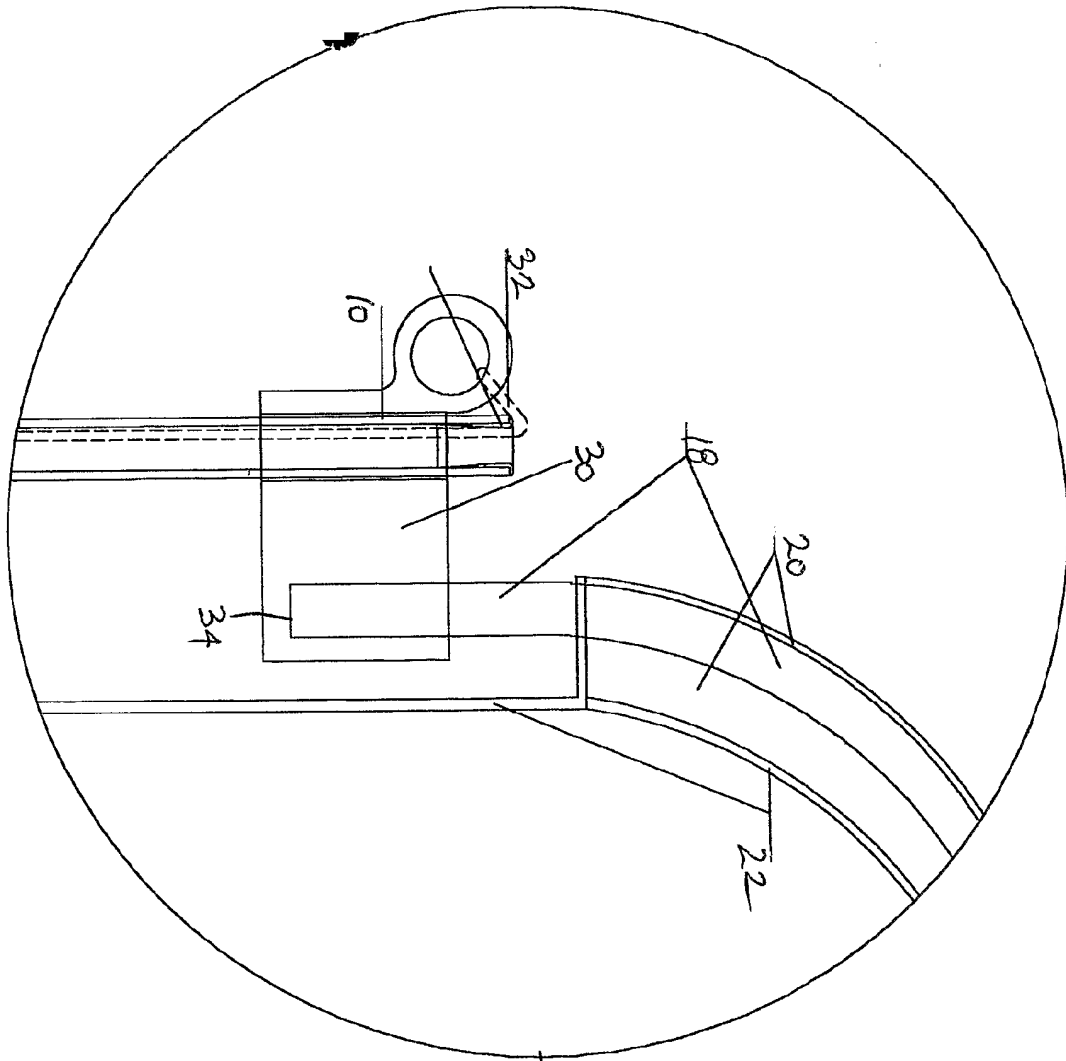
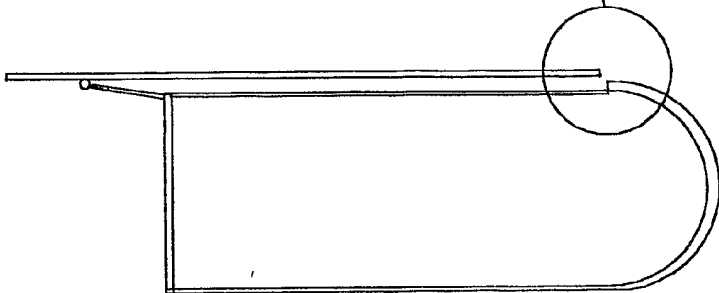


FIG 3



INTERNATIONAL SEARCH REPORT

International Application No
PCT/ZA2005/000075

A. CLASSIFICATION OF SUBJECT MATTER G09F17/00		
According to International Patent Classification (IPC) or to both national classification and IPC		
B. FIELDS SEARCHED		
Minimum documentation searched (classification system followed by classification symbols) G09F		
Documentation searched other than minimum documentation to the extent that such documents are included in the fields searched		
Electronic data base consulted during the international search (name of data base and, where practical, search terms used) EPO-Internal, WPI Data		
C. DOCUMENTS CONSIDERED TO BE RELEVANT		
Category °	Citation of document, with indication, where appropriate, of the relevant passages	Relevant to claim No.
X	WO 03/041037 A (BROWN, NATALIE, KIM) 15 May 2003 (2003-05-15)	1,2,5
A	page 4, line 21 - page 6, line 9; figures 1,9	3,4

X	AT 411 196 B (KUDERNATSCH BERNHARD) 27 October 2003 (2003-10-27)	1,2,5
A	page 3, line 13 - page 4, line 12; figures 1,5	3,4

X	US 6 807 924 B1 (CHRISTIANSEN CRAIG S) 26 October 2004 (2004-10-26)	1,2
Y	column 2, line 35 - column 4, line 61; figures 1-4	5

-/--		
<input checked="" type="checkbox"/> Further documents are listed in the continuation of box C.		
<input checked="" type="checkbox"/> Patent family members are listed in annex.		
° Special categories of cited documents :		
A document defining the general state of the art which is not considered to be of particular relevance	*T* later document published after the international filing date or priority date and not in conflict with the application but cited to understand the principle or theory underlying the invention	
E earlier document but published on or after the international filing date	*X* document of particular relevance; the claimed invention cannot be considered novel or cannot be considered to involve an inventive step when the document is taken alone	
L document which may throw doubts on priority claim(s) or which is cited to establish the publication date of another citation or other special reason (as specified)	*Y* document of particular relevance; the claimed invention cannot be considered to involve an inventive step when the document is combined with one or more other such documents, such combination being obvious to a person skilled in the art.	
O document referring to an oral disclosure, use, exhibition or other means	*&* document member of the same patent family	
P document published prior to the international filing date but later than the priority date claimed		
Date of the actual completion of the international search <p style="text-align: center;">23 January 2006</p>	Date of mailing of the international search report <p style="text-align: center;">31/01/2006</p>	
Name and mailing address of the ISA European Patent Office, P.B. 5818 Patentlaan 2 NL - 2280 HV Rijswijk Tel. (+31-70) 340-2040, Tx. 31 651 epo nl, Fax: (+31-70) 340-3016	Authorized officer <p style="text-align: center;">Pavlov, V</p>	

INTERNATIONAL SEARCH REPORT

International Application No
PCT/ZA2005/000075

C.(Continuation) DOCUMENTS CONSIDERED TO BE RELEVANT		
Category *	Citation of document, with indication, where appropriate, of the relevant passages	Relevant to claim No.
X	US 5 572 945 A (EASTAUGH ET AL) 12 November 1996 (1996-11-12)	1,2
Y	column 2, line 38 - column 3, line 8; figures 1,2 -----	5
X	US 4 554 885 A (BURNY, JR. ET AL) 26 November 1985 (1985-11-26)	1,2
A	column 3, line 11 - column 5, line 2; figures 1,2 -----	3,4

INTERNATIONAL SEARCH REPORT

Information on patent family members

International Application No

PCT/ZA2005/000075

Patent document cited in search report		Publication date		Patent family member(s)	Publication date
WO 03041037	A	15-05-2003	EP	1451793 A1	01-09-2004
AT 411196	B	27-10-2003	AT	12432001 A	15-03-2003
US 6807924	B1	26-10-2004	NONE		
US 5572945	A	12-11-1996	NONE		
US 4554885	A	26-11-1985	NONE		