



(51) International Patent Classification:

A61M 1/12 (2006.01) A61N 1/378 (2006.01)
A61F 2/48 (2006.01)

(21) International Application Number:

PCT/US2014/030468

(22) International Filing Date:

17 March 2014 (17.03.2014)

(25) Filing Language:

English

(26) Publication Language:

English

(30) Priority Data:

61/794,258 15 March 2013 (15.03.2013) US

(71) Applicant: THORATEC CORPORATION [US/US];
6035 Stoneridge Drive, Pleasanton, CA 94588 (US).

(72) Inventors: WONG, Kenneth; 6035 Stoneridge Drive,
Pleasanton, CA 94588 (US). HSU, George Chao-chih;
6035 Stoneridge Drive, Pleasanton, CA 94588 (US).
NGUYEN, John, Duc; 6035 Stoneridge Drive, Pleas-
anton, CA 94588 (US). HOARAU, Carine; 6035 Stone-
ridge Drive, Pleasanton, CA 94588 (US). REICHEN-
BACH, Steven; 6035 Stoneridge Drive, Pleasanton, CA
94588 (US). HEPPELL, Kevin Gerald; 6035 Stoneridge
Drive, Pleasanton, CA 94588 (US).

(74) Agents: THOMAS, Justin et al.; Shay Glenn LLP, 2755
Campus Drive, Suite 210, San Mateo, CA 94403 (US).

(81) Designated States (unless otherwise indicated, for every
kind of national protection available): AE, AG, AL, AM,
AO, AT, AU, AZ, BA, BB, BG, BH, BN, BR, BW, BY,
BZ, CA, CH, CL, CN, CO, CR, CU, CZ, DE, DK, DM,
DO, DZ, EC, EE, EG, ES, FI, GB, GD, GE, GH, GM, GT,
HN, HR, HU, ID, IL, IN, IR, IS, JP, KE, KG, KN, KP, KR,
KZ, LA, LC, LK, LR, LS, LT, LU, LY, MA, MD, ME,
MG, MK, MN, MW, MX, MY, MZ, NA, NG, NI, NO, NZ,
OM, PA, PE, PG, PH, PL, PT, QA, RO, RS, RU, RW, SA,
SC, SD, SE, SG, SK, SL, SM, ST, SV, SY, TH, TJ, TM,
TN, TR, TT, TZ, UA, UG, US, UZ, VC, VN, ZA, ZM,
ZW.

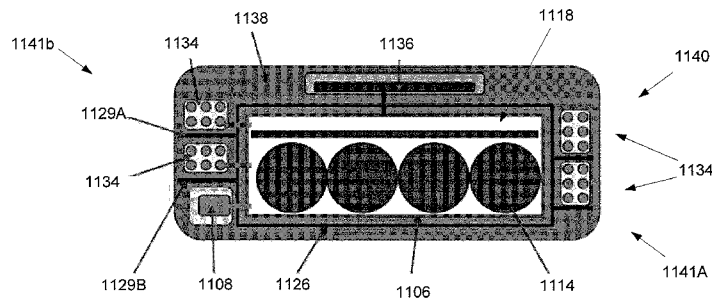
(84) Designated States (unless otherwise indicated, for every
kind of regional protection available): ARIPO (BW, GH,
GM, KE, LR, LS, MW, MZ, NA, RW, SD, SL, SZ, TZ,
UG, ZM, ZW), Eurasian (AM, AZ, BY, KG, KZ, RU, TJ,
TM), European (AL, AT, BE, BG, CH, CY, CZ, DE, DK,
EE, ES, FI, FR, GB, GR, HR, HU, IE, IS, IT, LT, LU, LV,
MC, MK, MT, NL, NO, PL, PT, RO, RS, SE, SI, SK, SM,
TR), OAPI (BF, BJ, CF, CG, CI, CM, GA, GN, GQ, GW,
KM, ML, MR, NE, SN, TD, TG).

Published:

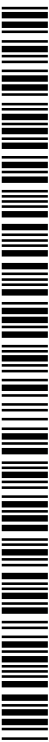
— with international search report (Art. 21(3))

(54) Title: INTEGRATED IMPLANTABLE TETS HOUSING INCLUDING FINS AND COIL LOOPS

Fig. 11C



(57) Abstract: Systems and methods for wireless energy transfer are described. A transmitter unit has a transmitter resonator with a coil that is coupled to a power supply to wirelessly transmit power to a receiver unit. A receiver unit has a receiver resonator with a coil coupled to a device load. The receiver unit can include a ferrite enclosure to prevent transmission of magnetic flux into electronics of the receiver unit, and can include ferrite fins to increase a coupling between the transmitter resonator and the receiver resonator.



WO 2014/145664 A1

**INTEGRATED IMPLANTABLE TETS HOUSING
INCLUDING FINS AND COIL LOOPS**

CROSS-REFERENCE TO RELATED APPLICATIONS

- 5 [0001] This application claims the benefit of U.S. Provisional Patent Application No. 61/794,258, filed on March 15, 2013, titled "Integrated Implantable TETS Housing Including Fins and Coil Loops", the contents of which are incorporated by reference herein.

INCORPORATION BY REFERENCE

- 10 [0002] All publications and patent applications mentioned in this specification are herein incorporated by reference to the same extent as if each individual publication or patent application was specifically and individually indicated to be incorporated by reference.

FIELD

- 15 [0003] The field relates generally to resonant wireless power transfer systems, and more specifically to implantable resonant wireless power transfer systems.

BACKGROUND

- [0004] Many implantable medical devices require electrical systems to power the implant. Typically, this is achieved using percutaneous wiring to connect a power source to the implant.

- 20 [0005] More recently, there has been development into powering an implanted device wirelessly with a Transcutaneous Energy Transfer (TET) system, e.g., through an oscillating magnetic field. For a TET system to be useful, electrical energy storage and processing must be provided when external power is interrupted or not available. This electrical energy processing and storage can be implemented with solid-state electronics and a battery.

- 25 [0006] Typically, implantable medical devices, such as implanted sensors, require very little power to operate. With such low power levels (on the order of milliwatts), power transfer levels and efficiency can be lower. With higher power devices (e.g. on the order of watts and up to 15 W or more), efficient transfer of wireless power is extremely important. Additionally, positions within the body are limited that can accommodate larger implanted devices, some of which are deep below the skin surface. These implant locations require additional attention to position and orientation of both the transmit and receive coils, as well as techniques to improve and maximize transfer efficiency.

- 30 [0007] Previous TET systems for implantable medical devices required the implanted receiver coil to be positioned just under the skin, and typically include a mechanical feature to

align the receive and transmit coils and keep them together. By implanting these devices directly under the skin, the size and power requirements of these implanted devices is limited if they are to be powered by a TET system.

5

SUMMARY OF THE DISCLOSURE

[0008] An implantable TET receiver unit is provided,, comprising an internal housing, an energy source disposed in the internal housing, a controller disposed in the internal housing, the controller configured to control operation of the TET receiver, a ferrite housing disposed around the internal housing, the ferrite housing configured to reduce an amount of magnetic flux that reaches the internal housing, and at least one wire coil wrapped around the ferrite housing and electrically coupled to the controller, the at least one wire coil configured to receive wireless energy from an external power transmitter.

10

[0009] In one embodiment, the ferrite housing comprises two ferrite halves machined out of solid pieces of ferrite. In some embodiments, the ferrite housing comprises a plurality of ferrite tiles.

15

[00010] In one embodiment, the receiver unit further comprises at least one ferrite fin extending from the ferrite housing and positioned next to the at least one wire coil. In one embodiment, the at least one ferrite fin extends around at least a portion of a perimeter of the ferrite enclosure. In another embodiment, the at least one ferrite fin extends around a perimeter of the ferrite enclosure.

20

[00011] In some embodiments, the at least one wire coil further comprises at least one exciter coil and at least one resonator coil.

25

[00012] In some embodiments, the receiver unit further comprises a first ferrite fin extending from the ferrite enclosure and positioned between the at least one resonator coil and an external wireless power transmitter, and second ferrite fin extending from the ferrite enclosure and positioned between the resonator coil and the exciter coil, and a third ferrite fin extending from the ferrite enclosure and positioned on an opposite side of the exciter coil from the second ferrite fin.

30

[00013] In one embodiment, the at least one ferrite fin is configured to increase a coupling between the at least one wire coil and an external wireless power transmitter. In another embodiment, the at least one ferrite fin is configured to decrease a coupling between a resonator coil and an exciter coil of the at least one wire coil.

35

[00014] In some embodiments, a ferrite gap between the ferrite housing occurs along small sides of the internal housing. In one embodiment, a ferrite gap between the ferrite housing occurs along large sides of the internal housing.

[00015] A system for wireless energy transfer is also provided, comprising a transmitter unit comprising a transmitter resonator coil coupled to a power supply and configured to transmit wireless energy, and a receiver unit comprising an internal housing, an energy source disposed in the internal housing, a controller disposed in the internal housing, the controller configured to
5 control operation of the TET receiver, a ferrite housing disposed around the internal housing, the ferrite housing configured to reduce an amount of magnetic flux that reaches the internal housing, and at least one wire coil wrapped around the ferrite housing and electrically coupled to the controller, the at least one wire coil configured to receive wireless energy from the transmitter unit.

10 [00016] In some embodiments, the system further comprises at least one ferrite fin extending from the ferrite housing and positioned next to the at least one wire coil. In one embodiment, the at least one ferrite fin extends around a perimeter of the ferrite enclosure.

[00017] In other embodiments, the at least one wire coil further comprises at least one exciter coil and at least one resonator coil.

15 [00018] In some embodiments, the at least one ferrite fin is configured to increase a coupling between the at least one wire coil and the transmitter unit.

[00019] In another embodiment, the at least one ferrite fin is configured to decrease a coupling between a resonator coil and an exciter coil of the at least one wire coil.

[00020] An implantable TET receiver unit is also provided, comprising an internal housing, an energy source disposed in the internal housing, a controller disposed in the internal housing, the controller configured to control operation of the TET receiver, and a coil structure sized and configured to be placed around the internal housing, the coil structure including at least one wire coil configured to receive wireless energy from an external power transmitter, the coil structure further including at least one ferrite strip disposed near the at least one wire coil and configured
20 to increase a coupling between the at least one coil structure and the external power transmitter.

[00021] A method of transmitting and receiving wireless energy is provided, comprising transmitting wireless energy from a transmitter coil into a patient, receiving the wireless energy with a receiver unit implanted in the patient, and preventing magnetic flux from interfering with electronics of the receiver unit with a ferrite enclosure that surrounds the receiver unit.

30 [00022] A method of transmitting and receiving wireless energy is also provided, comprising transmitting wireless energy from a transmitter coil into a patient, receiving the wireless energy with a receiver unit implanted in the patient, and increasing a coupling between the transmitter coil and the receiver unit with a ferrite fin that surrounds the receiver unit and is disposed near a receiver coil of the receiver unit.

[00023] In some embodiments, the receiver unit comprises an integrated antenna disposed on or near the internal housing and electrically coupled to the controller. In one embodiment, the integrated antenna is formed on a wall of the ferrite housing.

[00024] In another embodiment, the receiver unit further comprises a polymer encapsulating the ferrite housing, the internal housing, and the integrated antenna.

BRIEF DESCRIPTION OF THE DRAWINGS

[00025] The novel features of the invention are set forth with particularity in the claims that follow. A better understanding of the features and advantages of the present invention will be obtained by reference to the following detailed description that sets forth illustrative embodiments, in which the principles of the invention are utilized, and the accompanying drawings of which:

[00026] Fig. 1 illustrates a basic wireless power transfer system.

[00027] Fig. 2 illustrates the flux generated by a pair of coils.

[00028] Figs. 3A-3B illustrate the effect of coil alignment on the coupling coefficient.

[00029] Fig. 4 illustrates an implantable TET receiver unit implanted in a human body.

[00030] Figs. 5A-5B illustrate an internal enclosure of the TET receiver unit.

[00031] Figs. 6A-6B illustrate the internal enclosure and electronic components of the TET receiver unit.

[00032] Figs. 7A-7C show the internal enclosure hermetically sealed.

[00033] Figs. 8A-8D illustrate a clamshell ferrite enclosure surrounding the internal enclosure.

[00034] Figs. 9A-9C illustrate the completed TET receiver unit with resonator coils and a polymer coating.

[00035] Fig. 10 illustrates one embodiment of a TET receiver unit.

[00036] Figs. 11A-11C illustrate another embodiment of a TET receiver unit.

DETAILED DESCRIPTION

[00037] In the description that follows, like components have been given the same reference numerals, regardless of whether they are shown in different embodiments. To illustrate an embodiment(s) of the present disclosure in a clear and concise manner, the drawings may not necessarily be to scale and certain features may be shown in somewhat schematic form. Features that are described and/or illustrated with respect to one embodiment may be used in the same way or in a similar way in one or more other embodiments and/or in combination with or instead of the features of the other embodiments.

[00038] Various aspects of the invention are similar to those described in International Patent Pub. No. WO2012045050; U.S. Patent Nos. 8,667,452; 8,669,676; 8,569,914; 8,627,447; 8,489,200; 8,140,168; 7,865,245; 7,774,069; 7,711,433; 7,650,187; 7,571,007; 7,741,734; 7,825,543; 6,591,139; 6,553,263; and 5,350,413; and U.S. Pub. Nos. 2013/0320773; 5 2013/0127253; 2010/0308939; 2008/027293; and 2010/0102639, the entire contents of which patents and applications are incorporated herein for all purposes.

Wireless Power Transmission System

[00039] Power may be transmitted wirelessly by magnetic induction. In various 10 embodiments, the transmitter and receiver are closely coupled.

[00040] In some cases “closely coupled” or “close coupling” refers to a system that requires the coils to be very near each other in order to operate. In some cases “loosely coupled” or “loose coupling” refers to a system configured to operate when the coils have a significant 15 spatial and/or axial separation, and in some cases up to distance equal to or less than the diameter of the larger of the coils. In some cases, “loosely coupled” or “loose coupling” refers a system that is relatively insensitive to changes in physical separation and/or orientation of the receiver and transmitter. In some cases, a loosely coupled system is a highly resonant wireless energy transfer system.

[00041] In various embodiments, the transmitter and receiver are non-resonant coils. For 20 example, a change in current in one coil induces a changing magnetic field. The second coil within the magnetic field picks up the magnetic flux, which in turn induces a current in the second coil. An example of a closely coupled system with non-resonant coils is described in International Pub. No. WO2000/074747, incorporated herein for all purposes by reference. A conventional transformer is another example of a closely coupled, non-resonant system. In 25 various embodiments, the transmitter and receiver are resonant coils. For example, one or both of the coils is connected to a tuning capacitor or other means for controlling the frequency in the respective coil. An example of closely coupled system with resonant coils is described in International Pub. Nos. WO2001/037926; WO2012/087807; WO2012/087811; WO2012/087816; WO2012/087819; WO2010/030378; and WO2012/056365, and U.S. Pub. No. 30 2003/0171792, incorporated herein for all purposes by reference.

[00042] In various embodiments, the transmitter and receiver are loosely coupled. For 35 example, the transmitter can resonate to propagate magnetic flux that is picked up by the receiver at relatively great distances. In some cases energy can be transmitted over 3cm, over 5 cm, over 7 cm, or over 10 cm. In some cases energy can be transmitted over several meters. In some cases energy can be transmitted to a deep body implant. In a loosely coupled system power

transfer may not necessarily depend on a critical distance. Rather, the system may be able to accommodate changes to the coupling coefficient between the transmitter and receiver. An example of a loosely coupled system is described in International Pub. No. WO2012/045050, incorporated herein for all purposes by reference.

5 [00043] In various embodiments, the system is able to accommodate ongoing changes to the coupling coefficient between the transmitter and receiver during operation. In the case of an implantable device receiving wireless energy, for example, the relative orientation of the transmitter and receiver is constantly changing. Indeed, sometimes the components can vibrate or move at a rapid pace, which presents challenges to conventional highly-resonant, loosely-
10 coupled systems.

[00044] Power may be transmitted wirelessly by radiating energy. In various embodiments, the system comprises antennas. The antennas may be resonant or non-resonant. For example, non-resonant antennas may radiate electromagnetic waves to create a field. The field can be near field or far field. The field can be directional. Generally far field has greater range but a lower
15 power transfer rate. An example of such a system for radiating energy with resonators is described in International Pub. No. WO2010/089354, incorporated herein for all purposes by reference. An example of such a non-resonant system is described in International Pub. No. WO2009/018271, incorporated herein for all purposes by reference. Instead of antenna, the system may comprise a high energy light source such as a laser. The system can be configured
20 so photons carry electromagnetic energy in a spatially restricted, direct, coherent path from a transmission point to a receiving point. An example of such a system is described in International Pub. No. WO2010/089354, incorporated herein for all purposes by reference.

[00045] Power may also be transmitted by taking advantage of the material or medium through which the energy passes. For example, volume conduction involves transmitting
25 electrical energy through tissue between a transmitting point and a receiving point. An example of such a system is described in International Pub. No. WO2008/066941, incorporated herein for all purposes by reference.

[00046] Power may also be transferred using a capacitor charging technique. The system can be resonant or non-resonant. Exemplars of capacitor charging for wireless energy transfer are
30 described in International Pub. No. WO2012/056365, incorporated herein for all purposes by reference.

[00047] The system in accordance with various aspects of the invention will now be described in connection with a system for wireless energy transfer by magnetic induction. The exemplary system utilizes resonant power transfer. The system works by transmitting power between the
35 two inductively coupled coils. In contrast to a transformer, however, the exemplary coils are not

coupled together closely. A transformer generally requires the coils to be aligned and positioned directly adjacent each other. The exemplary system accommodates looser coupling of the coils.

[00048] While described in terms of one receiver coil and one transmitter coil, one will appreciate from the description herein that the system may use two or more receiver coils and two or more transmitter coils. For example, the transmitter may be configured with two coils—a first coil to resonate flux and a second coil to excite the first coil. In various embodiments, the system uses a plurality of coils with at least one of the coils configured as a repeater. One will further appreciate from the description herein that usage of “resonator” and “coil” may be used somewhat interchangeably. In various respects, “resonator” refers to a coil and a capacitor connected together. In various respects, “transmitter” and “receiver” refer to coils.

[00049] In accordance with various embodiments of this disclosure, the system comprises one or more transmitters configured to transmit power wirelessly to one or more receivers. In various embodiments, the system includes a transmitter and more than one receiver in a multiplexed arrangement. A frequency generator may be electrically coupled to the transmitter to drive the transmitter to transmit power at a particular frequency or range of frequencies. The frequency generator can include a voltage controlled oscillator and one or more switchable arrays of capacitors, a voltage controlled oscillator and one or more varactors, a phase-locked-loop, a direct digital synthesizer, or combinations thereof. The transmitter can be configured to transmit power at multiple frequencies simultaneously. The frequency generator can include two or more phase-locked-loops electrically coupled to a common reference oscillator, two or more independent voltage controlled oscillators, or combinations thereof. The transmitter can be arranged to simultaneously delivery power to multiple receivers at a common frequency.

[00050] In various embodiments, the transmitter is configured to transmit a low power signal at a particular frequency. The transmitter may transmit the low power signal for a particular time and/or interval. In various embodiments, the transmitter is configured to transmit a high power signal wirelessly at a particular frequency. The transmitter may transmit the high power signal for a particular time and/or interval.

[00051] In various embodiments, the receiver includes a frequency selection mechanism electrically coupled to the receiver coil and arranged to allow the resonator to change a frequency or a range of frequencies that the receiver can receive. The frequency selection mechanism can include a switchable array of discrete capacitors, a variable capacitance, one or more inductors electrically coupled to the receiving antenna, additional turns of a coil of the receiving antenna, or combinations thereof. An example of a suitable switching mechanism is a field effect transistor (FET). FETs can be advantage because of their low power losses.

[00052] In general, most of the flux from the transmitter coil does not reach the receiver coil. The amount of flux generated by the transmitter coil that reaches the receiver coil is described by “k” and referred to as the “coupling coefficient.”

[00053] In various embodiments, the system is configured to maintain a value of k in the range of between about 0.2 to about 0.01. In various embodiments, the system is configured to maintain a value of k of at least 0.01, at least 0.02, at least 0.03, at least 0.04, or at least 0.05. Even though the coupling coefficient (k) may be small, the exemplary system provides adequate, useful energy transfer through strong coupling and other energy transfer efficiencies. In one example, the system uses highly resonant structures to overcome the small coupling coefficient.

[00054] In various embodiments, the coils are physically separated. In various embodiments, the separation is greater than a thickness of the receiver coil. In various embodiments, the separation distance is equal to or less than the diameter of the larger of the receiver and transmitter coil.

[00055] Because most of the flux does not reach the receiver, the transmitter coil must generate a much larger field than what is coupled to the receiver. In various embodiments, this is accomplished by configuring the transmitter with a large number of amp-turns in the coil.

[00056] Since only the flux coupled to the receiver gets coupled to a real load, most of the energy in the field is reactive. The current in the coil can be sustained with a capacitor connected to the coil to create a resonator. The power source thus only needs to supply the energy absorbed by the receiver. The resonant capacitor maintains the excess flux that is not coupled to the receiver.

[00057] In various embodiments, the impedance of the receiver is matched to the transmitter. This allows efficient transfer of energy out of the receiver. In this case the receiver coil may not need to have a resonant capacitor.

[00058] Turning now to Fig. 1, a simplified circuit for wireless energy transmission is shown. The exemplary system shows a series connection, but the system can be connected as either series or parallel on either the transmitter or receiver side.

[00059] The exemplary transmitter includes a coil L_x connected to a power source V_s by a capacitor C_x . The exemplary receiver includes a coil L_y connected to a load by a capacitor C_y . Capacitor C_x may be configured to make L_x resonate at a desired frequency. Capacitance C_x of the transmitter coil may be defined by its geometry. Inductors L_x and L_y are connected by coupling coefficient k . M_{xy} is the mutual inductance between the two coils. The mutual inductance, M_{xy} , is related to coupling coefficient, k .

$$[00060] \quad M_{xy} = k\sqrt{L_x \cdot L_y}$$

[00061] In the exemplary system the power source V_s is in series with the transmitter coil L_x so it may have to carry all the reactive current. This puts a larger burden on the current rating of the power source and any resistance in the source will add to losses.

[00062] The exemplary system includes a receiver configured to receive energy wirelessly transmitted by the transmitter. The exemplary receiver is connected to a load. The receiver and load may be connected electrically with a controllable switch.

[00063] In various embodiments, the receiver includes a circuit element configured to be connected or disconnected from the receiver coil by an electronically controllable switch. The electrical coupling can include both a serial and parallel arrangement. The circuit element can include a resistor, capacitor, inductor, lengths of an antenna structure, or combinations thereof. The system can be configured such that power is transmitted by the transmitter and can be received by the receiver in predetermined time increments.

[00064] In various embodiments, the transmitter coil and/or the receiver coil is a substantially two-dimensional structure. In various embodiments, the transmitter coil may be coupled to a transmitter impedance-matching structure. Similarly, the receiver coil may be coupled to a receiver impedance-matching structure. Examples of suitable impedance-matching structures include, but are not limited to, a coil, a loop, a transformer, and/or any impedance-matching network. An impedance-matching network may include inductors or capacitors configured to connect a signal source to the resonator structure.

[00065] In various embodiments, the transmitter is controlled by a controller (not shown) and driving circuit. The controller and/or driving circuit may include a directional coupler, a signal generator, and/or an amplifier. The controller may be configured to adjust the transmitter frequency or amplifier gain to compensate for changes to the coupling between the receiver and transmitter.

[00066] In various embodiments, the transmitter coil is connected to an impedance-matched coil loop. The loop is connected to a power source and is configured to excite the transmitter coil. The first coil loop may have finite output impedance. A signal generator output may be amplified and fed to the transmitter coil. In use power is transferred magnetically between the first coil loop and the main transmitter coil, which in turns transmits flux to the receiver. Energy received by the receiver coil is delivered by Ohmic connection to the load.

[00067] One of the challenges to a practical circuit is how to get energy in and out of the resonators. Simply putting the power source and load in series or parallel with the resonators is difficult because of the voltage and current required. In various embodiments, the system is configured to achieve an approximate energy balance by analyzing the system characteristics,

estimating voltages and currents involved, and controlling circuit elements to deliver the power needed by the receiver.

[00068] In an exemplary embodiment, the system load power, P_L , is assumed to be 15 Watts and the operating frequency of the system, f , is 250 kHz. Then, for each cycle the load removes
5 a certain amount of energy from the resonance:

[00069]

$$e_L = \frac{P_L}{f} = 60 \mu J \quad \text{Energy the load removes in one cycle}$$

[00070]

[00071] It has been found that the energy in the receiver resonance is typically several times larger than the energy removed by the load for operative, implantable medical devices. In
10 various embodiments, the system assumes a ratio 7:1 for energy at the receiver versus the load removed. Under this assumption, the instantaneous energy in the exemplary receiver resonance is 420 μ J.

[00072] The exemplary circuit was analyzed and the self inductance of the receiver coil was found to be 60 μ H. From the energy and the inductance, the voltage and current in the resonator
15 could be calculated.

[00073] $e_y = \frac{1}{2} Li^2$

[00074] $i_y = \sqrt{\frac{2e_y}{L}} = 3.74A \text{ peak}$

[00075] $v_y = \omega L_y i_y = 352V \text{ peak}$

[00076] The voltage and current can be traded off against each other. The inductor may
20 couple the same amount of flux regardless of the number of turns. The Amp-turns of the coil needs to stay the same in this example, so more turns means the current is reduced. The coil voltage, however, will need to increase. Likewise, the voltage can be reduced at the expense of a higher current. The transmitter coil needs to have much more flux. The transmitter flux is related to the receiver flux by the coupling coefficient. Accordingly, the energy in the field from
25 the transmitter coil is scaled by k.

[00077] $e_x = \frac{e_y}{k}$

[00078] Given that k is 0.05:

[00079] $e_x = \frac{420 \mu J}{0.05} = 8.4mJ$

[00080] For the same circuit the self inductance of the transmitter coil was 146 μ H as
30 mentioned above. This results in:

[00081] $i_x = \sqrt{\frac{2e_x}{L}} = 10.7A \text{ peak}$

[00082] $v_x = \omega L_x i_x = 2460V$ peak

[00083] From this example one can appreciate the competing factors and how to balance voltage, current, and inductance to suit the circumstance and achieve the desired outcome. Like the receiver, the voltage and current can be traded off against each other. In this example, the
5 voltages and currents in the system are relatively high. One can adjust the tuning to lower the voltage and/or current at the receiver if the load is lower.

Estimation of Coupling Coefficient and Mutual Inductance

[00084] As explained above, the coupling coefficient, k , may be useful for a number of
10 reasons. In one example, the coupling coefficient can be used to understand the arrangement of the coils relative to each other so tuning adjustments can be made to ensure adequate performance. If the receiver coil moves away from the transmitter coil, the mutual inductance will decrease, and ceteris paribus, less power will be transferred. In various embodiments, the system is configured to make tuning adjustments to compensate for the drop in coupling
15 efficiency.

[00085] The exemplary system described above often has imperfect information. For various reasons as would be understood by one of skill in the art, the system does not collect data for all parameters. Moreover, because of the physical gap between coils and without an external means of communications between the two resonators, the transmitter may have information that the
20 receiver does not have and vice versa. These limitations make it difficult to directly measure and derive the coupling coefficient, k , in real time.

[00086] Described below are several principles for estimating the coupling coefficient, k , for two coils of a given geometry. The approaches may make use of techniques such as Biot-Savart calculations or finite element methods. Certain assumptions and generalizations, based on how
25 the coils interact in specific orientations, are made for the sake of simplicity of understanding. From an electric circuit point of view, all the physical geometry permutations can generally lead to the coupling coefficient.

[00087] If two coils are arranged so they are in the same plane, with one coil circumscribing the other, then the coupling coefficient can be estimated to be roughly proportional to the ratio of
30 the area of the two coils. This assumes the flux generated by coil 1 is roughly uniform over the area it encloses as shown in Fig. 2.

[00088] If the coils are out of alignment such that the coils are at a relative angle, the coupling coefficient will decrease. The amount of the decrease is estimated to be about equal to the cosine of the angle as shown in Fig. 3A. If the coils are orthogonal to each other such that theta (θ) is
35 90 degrees, the flux will not be received by the receiver and the coupling coefficient will be zero.

[00089] If the coils are arraigned such that half the flux from one coil is in one direction and the other half is in the other direction, the flux cancels out and the coupling coefficient is zero, as shown in Fig. 3B.

[00090] A final principle relies on symmetry of the coils. The coupling coefficient and
5 mutual inductance from one coil to the other is assumed to be the same regardless of which coil is being energized.

[00091] $M_{xy} = M_{yx}$

Exemplary TET System

10 [00092] In a TET system, many factors must be considered when designing the implantable receiver components. In particular, the implanted components should be small and light enough to be implanted within the body, toxic and dangerous electrical and battery components should be isolated from the body, and the implant should be designed in a way to maximize its ability to receive wireless power from the transmitter while reducing or eliminating the generation of heat
15 within the body. Various embodiments of a TET implant are described in this disclosure to address these factors. As used herein, TET system refers to the larger system including, for example, data communication and power storage. In one embodiment, the TET system includes two or more implants to house an internal power source, circuitry, and a data communication subsystem. The data communication system may include an antenna. The antenna may be
20 housed in one of the implant housing, or the antenna may be attached to the outside of an implant housing. U.S. Pub. No. 2007/0142696, the entire contents of which are incorporated herein by reference for all purposes, shows and describes various configurations for housing the various system components in the body.

[00093] Fig. 4 illustrates an implantable TETS receiver unit 400 implanted in an abdomen of a
25 human patient. The receiver unit 400 can be coupled to a device load 402, such as an implantable medical device, e.g., an implantable LVAD or heart pump. The receiver unit 400 can include a receiver resonator coil and electronics configured to receive wireless energy from an external transmitter 401, which can include a power supply such as a pulse generator connected to a transmitter resonator coil. In some embodiments, external controller 404 can be
30 configured to communicate with the TETS receiver 400 and can be worn by the patient, such as on the patient's wrist. In other embodiments, the external controller can be an electronic computing device such as a personal computer, a tablet, smartphone, or laptop computer. In one embodiment, the receiver unit 400 further includes an antenna along an outer periphery (shown, e.g., in FIG. 9C). In one embodiment, the receiver unit further includes an internal rechargeable
35 power source (shown, e.g., in FIG. 6A). In various embodiments, the receiver unit 400 of the

TET system is configured as a single implanted device including the receive coil, antenna, power source, and associated circuitry. The receiver unit is configured so the implantable medical device can be plugged directly into the unit. The single housing configuration makes implantation easier and faster. Additionally, since there are less implants, and consequently less tunneling in the body and percutaneous defect sites, adverse event risks like bleeding and infection are reduced.

[00094] Construction and design of one exemplary implantable TETS receiver unit will now be described. Figs. 5A and 5B illustrate an internal housing 506 of a TETS receiver unit 500. The internal housing can be sized and configured to hermetically house the internal electrical components of the TETS receiver unit. In some embodiments, the internal housing 506 can comprise a metallic box, such as a titanium box. In some embodiments, the internal housing can comprise implantable ceramics and plastics. The internal housing of Figs. 5A-5B is shown here without a top portion.

[00095] The internal housing can include openings 508 on at least one side of the housing to accommodate electronic feed-throughs for components connected to the receiver unit. In some embodiments, the feed-throughs can comprise an implantable medical device feed-through 510, a radio feed-through 512, and a TET feed-through 514. These feed-throughs can be used to connect the receiver unit to any number of electronic devices for the transfer of power and/or data to those devices. It should be understood that any number of openings 508 and feed-throughs can be incorporated into the housing, depending on the specific application or needs. The feed-throughs are shown as male connectors, but in other embodiments the feed-throughs can comprise female connectors, or other types of electrical connectors known in the art.

[00096] Figs. 6A-6B show the remaining internal components of the TETS receiver unit that can be disposed within the internal housing of Figs 5A-5B. Fig. 6A illustrates an exploded view of internal housing 606, battery 614, and heat spreader 616. The heat spreader can be designed and configured to substantially conform to the battery 614 and to dissipate and eliminate heat generated by the battery. Fig. 6B illustrates the various printed circuit boards or electronics 618 and 620 that control operation of the implantable TETS receiver unit. In one embodiment, for example, electronics 618 can comprise a device control PCB configured to control a separate implanted medical device (e.g., device 402 from Fig. 4), and electronics 620 can comprise a TETS PCB configured to control operation of the TETS receiver unit (e.g., receiving power, storing power, charging the battery, communication with external devices, AC-DC conversion, etc.). In some embodiments, the TETS receiver unit can include an additional heat spreader 622 disposed on top of the battery and separating the battery from the other electronics. Additional

heat spreaders (not shown) can be disposed on other surfaces of the internal housing, or on or around the electronics themselves.

[00097] Figs. 7A-7C illustrate the final construction of the internal housing 706 of the TETS receiver unit, including housing top cover 724 and header assembly 726. The final product, as shown in Fig. 7C, can have the top cover 724 welded or sealed to the rest of the internal housing 706 to provide for a completely hermetic enclosure.

[00098] Referring now to Figs. 8A and 8B, a clamshell ferrite enclosure 826 can be precisely engineered to closely fit around the internal housing 806, to prevent the passage of magnetic flux into or out of the internal housing. In some embodiments, the clamshell enclosure can comprise two halves 827a and 827b. In other embodiments, the enclosure can include more than two pieces, such as three, four, or more pieces. However, increasing the number of pieces that makeup the enclosure increases the number of gaps between the separate pieces, which can allow magnetic flux to pass the ferrite and induce current or heat in the internal enclosure or electronics. The ferrite enclosure can include an opening for a wire feed-through to connect to the resonator coil wires, as will be described below. In some embodiments, the ferrite enclosure can be machined from a single piece of ferrite, such as with a diamond blade cutter. In some embodiments, the individual walls of the ferrite enclosure can have a thickness of approximately 1 to approximately 3 mm. In other embodiments, the ferrite enclosure can be tiled together with several different flat pieces of ferrite material. The downside to the tiled approach, however, is that it is prone to more gaps in the enclosure which would allow magnetic flux to pass into the internal enclosure and electronics. An advantage of forming the ferrite layer of many members (e.g. tiles) is that it can be easier to manufacture and less susceptible to total failure. Ferrite is a brittle material. Therefore, it is generally easier to affix tiles to the housing than to slide a ferrite shell over the housing. Ferrite is also expensive so any reduction in scrap rate can translate to a meaningful reduction in costs.

[00099] In various embodiments, ferrite layer enclosure 826 is formed of two or more layers of ferrite. In one embodiment, a low frequency ferrite is formed over the titanium can of internal housing 806. A relatively high frequency ferrite is formed over the low frequency ferrite. In one embodiment, the low frequency ferrite is thicker than the high frequency ferrite. The combination of low frequency and high frequency ferrite materials enhances shielding across a wider spectrum of frequencies. In one example, it provides shielding at both the TETS operating frequency and RF operating frequency.

[00100] As also shown in Figs. 8A-8B, the ferrite enclosure 826 can include a plurality of ferrite fins 829A and 829B protruding from the side of the enclosure. Although only two fins are shown in this embodiment, it should be understood that more complex receivers (with multiple

coils including transmitter coils, receiver coils, and excitation coils) may require more ferrite fins. The function of the ferrite fins will be discussed below in reference to Figs. 9A-9B.

[000101] As shown in Figs 8A-8B, in this particular embodiment of the clamshell enclosure the top half 827a is fitted around the top half of the internal enclosure, and the bottom half 827b is fitted around the bottom half of the internal enclosure. The two halves meet along a plane that bisects the internal enclosure along the side portions of the enclosure, as represented by plane 828 in Fig. 8B. In other embodiments, however, the clamshell can be designed so as to meet along a plane that cuts through the top and bottom portions of the enclosure, such as long the planes represented by planes 830 or 832 in Fig. 8B. Figs. 8C and 8D further illustrate the various gap sizes that result from the joining of differently shaped clamshell halves. More specifically, Fig. 8C shows the gap between ferrite halves along plane 828, which extends around the largest perimeter of the internal housing. In contrast, Fig. 8D shows the gaps created by ferrite halves when they join together along the (larger) top and bottom portions of the internal enclosure.

[000102] In the case of a titanium internal housing 806, the size of the gaps can become an issue because of titanium's relatively high resistivity (for a metal). The magnetic fields that enter these ferrite gaps can create a significant amount of heat when interacting with the titanium enclosure. Mathematically, as the ferrite gap increases to cover a larger surface area, the tolerance on the gap must be tighter to reduce the amount of induced heat below a safe and reasonable level. For example, if a maximum amount of heat allowed in the TETS receiver is 100mW of heat, then the maximum allowable gap between the ferrite core halves in Fig. 8C would be approximately 14 μm . This gap can be increased to 28 μm by introducing a feature (such as a spacer) to the titanium enclosure to ensure that no titanium material is closer to the gap than 0.64 mm. In contrast, a gap that runs across the middle of each of the large sides, as shown in Fig. 8D, would induce no more than 10 mW of additional heat for a 127 μm (5 mil) gap between ferrite halves.

[000103] Fig. 9A shows the various resonator coils 934 wrapped around the ferrite enclosure. In this particular embodiment, the ferrite enclosure includes two ferrite fins, 929A and 929B, and three sets of resonator coils 934. The coils can be, for example, receive coils, exciter coils, and/or transmit coils configured to transmit and receive wireless energy. These coils can be electrically coupled to the internal electronics of the TETS receiver via the feed-through, partially illustrated here (and better shown in Fig. 8B). Also shown in Figs. 9A-9B is optional communications antenna 936, which can be configured, for example, to communicate with an external device such as the external power transmitter or external controller. In one embodiment, communication can be achieved by modulating wireless power transfer signals during operation.

In one embodiment, antenna 936 is a radiofrequency (RF) antenna. In Fig. 9B, the entire enclosure, including the resonator coils and the fins, can be surrounded and sealed with a material such as a polymer 938. In one embodiment, antenna 936 is formed by applying an antenna material directly on the ferrite housing material before encapsulating the enclosure with polymer. Fig. 9C illustrates a cross-sectional view of the TETS receiver, including all the features described above such as the internal enclosure 906, battery 914, heat spreaders 916 and 922, electronics 918 and 920, ferrite enclosure 926, ferrite fins 929A and 929B, resonator coils 934, antenna 936, and polymer 938.

[000104] Referring now to Fig. 10, the function of the exemplary ferrite fins will be discussed.

In this particular embodiment, the ferrite enclosure can include three ferrite fins 1029A, 1029B, and 1029C extending from one or more sides of the enclosure, and two sets of wire coils, in this case resonator coil 1034A and exciter coil 1034A, positioned between the ferrite fins. Ferrite fin 1029A can be positioned toward the front of the receiver (i.e., situated between the transmitter coil and any coils on the receiver) and can increase the coupling between the transmitter and the receiver resonator coil. By increasing the coupling between the receiver and the transmitter, the front ferrite fin increases overall system efficiency. The ferrite fin can accomplish this by conducting some magnetic field (that would otherwise not be picked up by the resonator coil) to the ferrite cover so that it is picked up by the resonator coil. The width w of the ferrite fin 1029A can be determined from case to case; however, if the fin is too long, then it will end up shielding the resonator coil from the transmitter coil thereby reducing the coupling instead of increasing it.

[000105] Ferrite fin 1029B separates the receiver's resonator 1034A and exciter 1034b coils and can be configured to decrease the coupling between the resonator and exciter coils. The fin accomplishes this by conducting some magnetic field (that would otherwise be picked up by the exciter coil) away from the receiver, so that it is not picked up by the exciter. The width w of the fin 1029B can be relatively large compared to the width w of the other ferrite fins. To optimize the coupling between the resonator and exciter, the width must be determined from case to case; too large and the coupling may end up less than optimum. Another effect of the fin 1029B is that it also decouples the transmitter coil from the exciter coil.

[000106] The third ferrite fin 1029C can be configured to shield the receiver from influence by foreign objects behind the receiver. The width w of the fin 1029c can also be relatively large compared to the width of the first ferrite fin.

[000107] All three types of ferrite fins can be configured to increase the self inductance of the coil they are next to. This can be beneficial because it reduces the required number of turns of

those coils, saving weight and also increasing the coil's quality factor Q (i.e., increasing the ratio of inductance to resistance).

[000108] One possible disadvantage of using fins is that it makes the design of a reversible receiver (one that can have the same transmitter oriented on either side of it) more difficult. First
5 off, a reversible receiver cannot use a wide rear fin 1029c, because the fin becomes a pick-up fin when the transmitter is located on the same side. Second, use of a wide central fin 1029b may decouple the receiver's resonator coil from the transmitter, lowering overall system efficiency. To prevent this, the resonator can be split into two halves, with the exciter in between and using two decoupler fins, but this comes at a cost of reduced Q for the resonator. Another possibility is
10 to split the exciter into two halves, with the resonator in between, using two central fins, and reduce the width of the central fins. This lowers Q of the exciter, but can be a good solution for a reversible receiver. Note that if the transmitter on the back side of the receiver is of a different type (e.g., a large stationary coil under a bed), it may be the case that the receiver does not have to be made reversible. The design of the receiver may therefore depend on the design
15 requirements and desired amount of flexibility for the implanting physician.

[000109] There can be a small gap between each fin and the ferrite cover without causing any heating (this is not an issue for these particular gaps), although they should be kept reasonably small (about 100 microns or less) to avoid too much loss of the intended function of the fins.

[000110] Figs. 11A-11C illustrate another embodiment of a TETS receiver unit, including a
20 coil structure which is separately formed from the internal housing and electronics components. Fig. 11A shows coil structure 1140, and Fig. 11B shows internal housing 1106. Internal housing 1106 of Fig. 11B can be comparable to the internal housings described above and shown in Figs. 5A-5B, 6A-6B, 7A-7C, 8A-8D, and 9C. The internal housing 1106 can also contain all the structures described above, including the battery, electronics, heat spreaders, etc. The internal
25 housing can also include one or more feed-throughs 1108, such as those described above, to allow for an electrical connection to the electrical components within the housing.

[000111] Coil structure 1140 of Fig. 11A can comprise an outer shell with a hollow middle 1142, and can be sized and configured to slide over the internal housing 1106 of Fig. 11B. The coil structure 1140 can include one or more resonator coils 1134, such as transmitter resonator
30 coils, receiver resonator coils, and/or exciter resonator coils similar to the coil structure described above with reference to Figs. 9A-9C.

[000112] Also shown in Fig. 11A, the coil structure 1140 can include one or more ferrite strips 1129 disposed on either side of the coil resonators. The ferrite strips can comprise a ferrite material and can provide the same shielding benefits of the ferrite fins described above. In the
35 exemplary embodiment, the ferrite strips 1129 are dimensioned and configured similar to fins

1029A, 1029B, and 1029C described above. Although described as ferrite strips, one will appreciate from the description herein that other materials and configurations may be used. Any number of materials with suitable magnetic resistivity properties can be used. The strips can be configured as fins, wires, beads, ribs, and more.

5 [000113] The entire coil structure 1140 can comprise a plastic, polyurethane, epoxy, or similar material to enclose the coil resonators and the ferrite strips. The coil structure can be sized and configured to provide a snug and tight fit around the internal housing of Fig. 11B when placed over the housing. The structure can also be configured to allow for a loose fit or gap between the coil structure and internal housing. As should be understood, an electrical connection can be
10 made between the housing and the coil structure through the feed-through(s) 1108 of the internal housing.

[000114] The method of making the implanted system will now be described. The coil structure 1140 is formed by winding wires around ferrite strips 1129. The assembled coil unit is then overmolded with epoxy to hold it together and form coil structure 1140. The internal
15 housing 1106 is formed in a manner as described above. The internal housing 1106 is then inserted into the middle 1142 of the coil structure 1140. Thereafter the housing 1106 assembled with the coil structure 1140 is processed similar to above. The coil structure is electrically connected to the internal housing. The whole structure is formed together, for example, by overmolding with a polymer. An antenna such as antenna 936 (shown in Fig. 9C) and other
20 components can then be attached or formed on the unit.

[000115] As shown in Figs. 11A-11B, in some embodiments the internal housing and/or coil structure can include a trapezoidal shape, wherein one side of the housing/structure is taller than the other side. For example, the coil structure 1140 of Fig. 11A includes a first side 1141a that is taller than a second side 1141b. This is in contrast to the generally rectangular or box-shaped
25 structures described above in other embodiments. The trapezoidal shape reflects the internal components in housing 1106 and bulkhead connectors. As can be seen in FIG. 7A, one side of the housing serves as a bulkhead with connectors. The opposing side does not have any connectors. Accordingly, the internal housing 1106 in Fig. 11B includes a feed-through 1108 on one side of the housing. The trapezoidal shape of the coil structure in Fig. 11A can surround the
30 internal housing without interfering with the feed-through 1108 of the housing.

[000116] Fig. 11C is a cross-sectional view of the coil structure 1140 and internal housing 1106 of Figs. 11A-B. In this figures, the coil structure is shown surrounding the internal housing 1106. Fig. 11C shows the other components of the receiver unit, including feed-through 1108, battery 1114, electronics 1118, ferrite enclosure 1126, ferrite fins 1129A and 1129B, coils 1134,
35 antenna 1136, and polymer 1138. Fig. 11C shows how side 1141A of coil structure 1140 is

taller than side 1141B of the coil structure. It can be seen how this accommodates the position of the feed-through 1108 on the side of the internal housing 1106. In this particular embodiment, the coil windings on the 1141A side can be “stacked” vertically 3 times (and horizontally 2 times), for a total of 6 windings in each coil, while the coil windings on the 1141B side can be “stacked” vertically only 2 times (and horizontally 3 times) maintaining the same coil count. This technique of coil winding can be used to adjust a height of a coil on one or more sides of a coil structure, as shown.

[000117] Although this invention has been disclosed in the context of certain preferred embodiments and examples, it will be understood by those skilled in the art that the present invention extends beyond the specifically disclosed embodiments to other alternative embodiments and/or uses of the invention and obvious modifications and equivalents thereof. Various modifications to the above embodiments will be readily apparent to those skilled in the art, and the generic principles defined herein may be applied to other embodiments without departing from the spirit or scope of the invention. Thus, it is intended that the scope of the present invention herein disclosed should not be limited by the particular disclosed embodiments described above, but should be determined only by a fair reading of the claims that follow.

[000118] In particular, materials and manufacturing techniques may be employed as within the level of those with skill in the relevant art. Furthermore, reference to a singular item, includes the possibility that there are plural of the same items present. More specifically, as used herein and in the appended claims, the singular forms "a," "and," "said," and "the" include plural referents unless the context clearly dictates otherwise. As used herein, unless explicitly stated otherwise, the term “or” is inclusive of all presented alternatives, and means essentially the same as the commonly used phrase “and/or.” It is further noted that the claims may be drafted to exclude any optional element. As such, this statement is intended to serve as antecedent basis for use of such exclusive terminology as "solely," "only" and the like in connection with the recitation of claim elements, or use of a "negative" limitation. Unless defined otherwise herein, all technical and scientific terms used herein have the same meaning as commonly understood by one of ordinary skill in the art to which this invention belongs.

CLAIMS

What is claimed is:

1. An implantable TET receiver unit, comprising:
5 an internal housing;
an energy source disposed in the internal housing;
a controller disposed in the internal housing, the controller configured to control
operation of the TET receiver;
a ferrite housing disposed around the internal housing, the ferrite housing configured to
10 reduce an amount of magnetic flux that reaches the internal housing; and
at least one wire coil wrapped around the ferrite housing and electrically coupled to the
controller, the at least one wire coil configured to receive wireless energy from an external power
transmitter.
- 15 2. The TET receiver unit of claim 1, wherein the ferrite housing comprises two ferrite
halves machined out of solid pieces of ferrite.
3. The TET receiver unit of claim 1, wherein the ferrite housing comprises a plurality of
ferrite tiles.
20
4. The TET receiver unit of claim 1, further comprising at least one ferrite fin extending
from the ferrite housing and positioned next to the at least one wire coil.
5. The TET receiver unit of claim 4, wherein the at least one ferrite fin extends around at
25 least a portion of a perimeter of the ferrite enclosure.
6. The TET receiver unit of claim 4, wherein the at least one ferrite fin extends around a
perimeter of the ferrite enclosure.
- 30 7. The TET receiver unit of claim 1, wherein the at least one wire coil further comprises at
least one exciter coil and at least one resonator coil.
8. The TET receiver unit of claim 6, further comprising a first ferrite fin extending from the
ferrite enclosure and positioned between the at least one resonator coil and an external wireless
35 power transmitter, and second ferrite fin extending from the ferrite enclosure and positioned

between the resonator coil and the exciter coil, and a third ferrite fin extending from the ferrite enclosure and positioned on an opposite side of the exciter coil from the second ferrite fin.

9. The TET receiver unit of claim 4, wherein the at least one ferrite fin is configured to
5 increase a coupling between the at least one wire coil and an external wireless power transmitter.
10. The TET receiver unit of claim 4, wherein the at least one ferrite fin is configured to decrease a coupling between a resonator coil and an exciter coil of the at least one wire coil.
- 10 11. The TET receiver unit of claim 1, wherein a ferrite gap between the ferrite housing occurs along small sides of the internal housing.
12. The TET receiver unit of claim 1, wherein a ferrite gap between the ferrite housing occurs along large sides of the internal housing.
- 15 13. A system for wireless energy transfer, comprising:
a transmitter unit comprising a transmitter resonator coil coupled to a power supply and configured to transmit wireless energy; and
a receiver unit comprising an internal housing, an energy source disposed in the internal
20 housing, a controller disposed in the internal housing, the controller configured to control operation of the TET receiver, a ferrite housing disposed around the internal housing, the ferrite housing configured to reduce an amount of magnetic flux that reaches the internal housing, and at least one wire coil wrapped around the ferrite housing and electrically coupled to the controller, the at least one wire coil configured to receive wireless energy from the transmitter
25 unit.
14. The system of claim 13, further comprising at least one ferrite fin extending from the ferrite housing and positioned next to the at least one wire coil.
- 30 15. The system of claim 14, wherein the at least one ferrite fin extends around a perimeter of the ferrite enclosure.
16. The system of claim 13, wherein the at least one wire coil further comprises at least one exciter coil and at least one resonator coil.

17. The system of claim 14, wherein the at least one ferrite fin is configured to increase a coupling between the at least one wire coil and the transmitter unit.

18. The system of claim 14, wherein the at least one ferrite fin is configured to decrease a
5 coupling between a resonator coil and an exciter coil of the at least one wire coil.

19. An implantable TET receiver unit, comprising:

an internal housing;

an energy source disposed in the internal housing;

10 a controller disposed in the internal housing, the controller configured to control operation of the TET receiver; and

a coil structure sized and configured to be placed around the internal housing, the coil structure including at least one wire coil configured to receive wireless energy from an external power transmitter, the coil structure further including at least one ferrite strip disposed near the at
15 least one wire coil and configured to increase a coupling between the at least one coil structure and the external power transmitter.

20. A method of transmitting and receiving wireless energy, comprising:

transmitting wireless energy from a transmitter coil into a patient;

20 receiving the wireless energy with a receiver unit implanted in the patient; and

preventing magnetic flux from interfering with electronics of the receiver unit with a ferrite enclosure that surrounds the receiver unit.

21. A method of transmitting and receiving wireless energy, comprising:

25 transmitting wireless energy from a transmitter coil into a patient;

receiving the wireless energy with a receiver unit implanted in the patient; and

increasing a coupling between the transmitter coil and the receiver unit with a ferrite fin that surrounds the receiver unit and is disposed near a receiver coil of the receiver unit.

30 22. The TET receiver unit of claim 1, further comprising an integrated antenna disposed on or near the internal housing and electrically coupled to the controller.

23. The TET receiver unit of claim 22, wherein the integrated antenna is formed on a wall of the ferrite housing.

35

24. The TET receiver unit of claim 23, further comprising a polymer encapsulating the ferrite housing, the internal housing, and the integrated antenna.

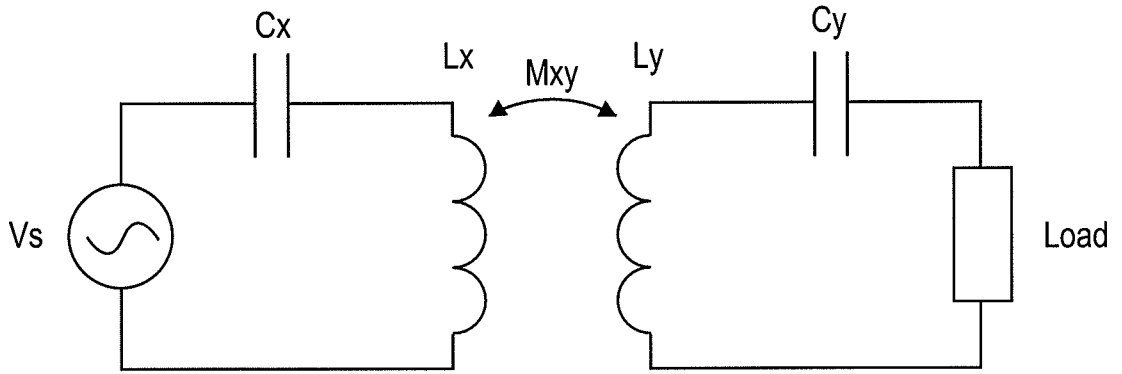
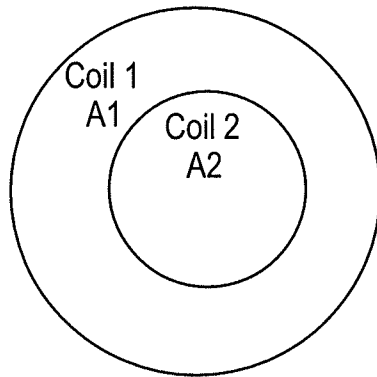
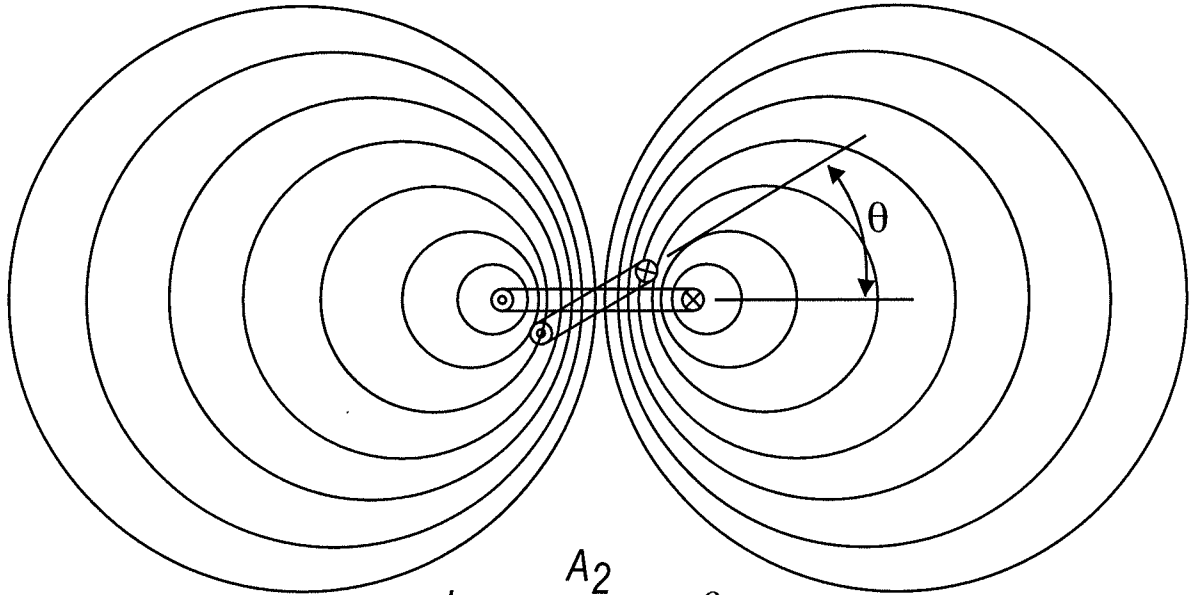


FIG. 1



$$l_c \approx \frac{A_2}{A_1}$$

FIG. 2



$$lc \approx \frac{A_2}{A_1} \cos \theta$$

FIG. 3A

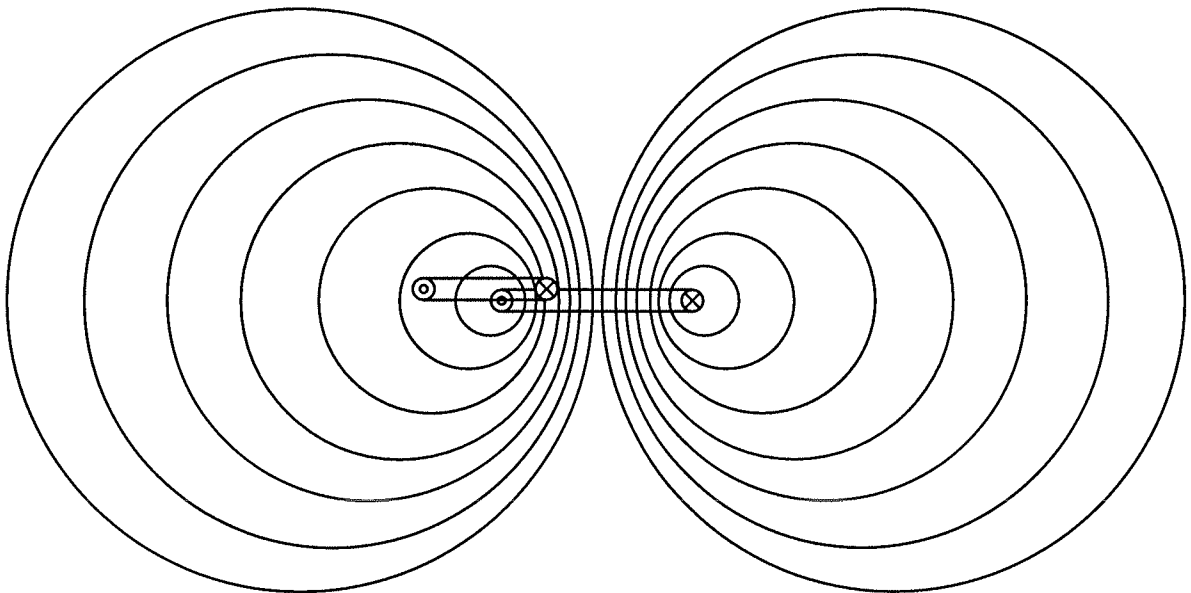


FIG. 3B

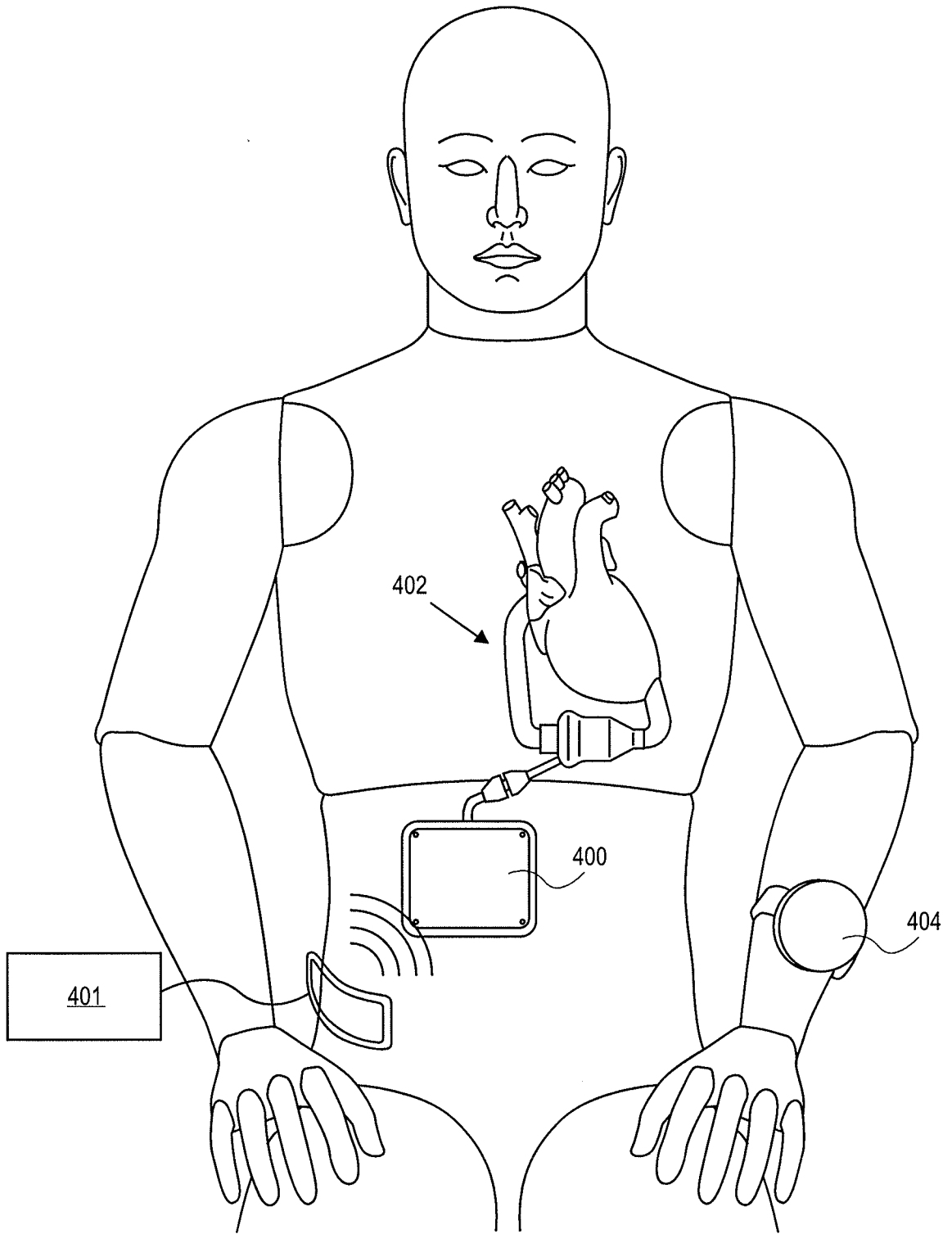


FIG. 4

FIG. 5A

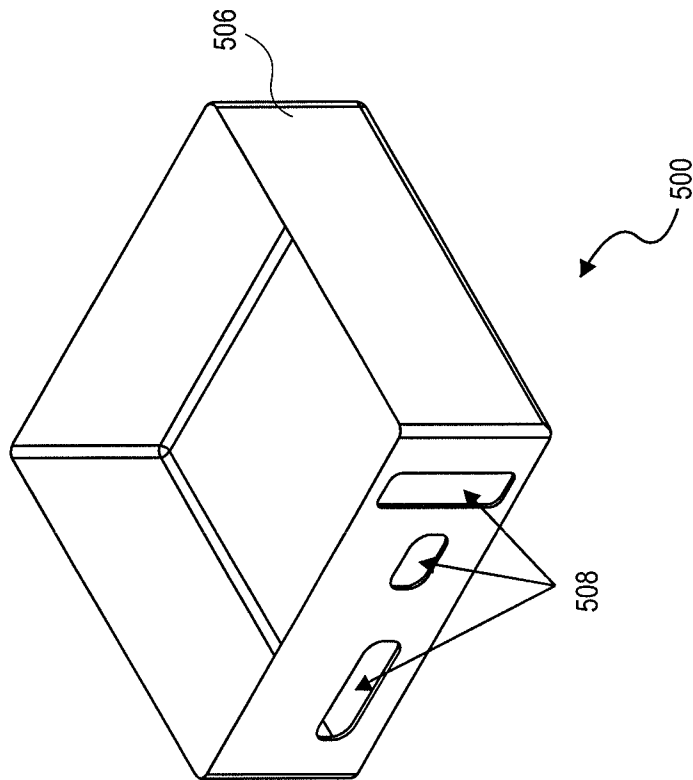


FIG. 5B

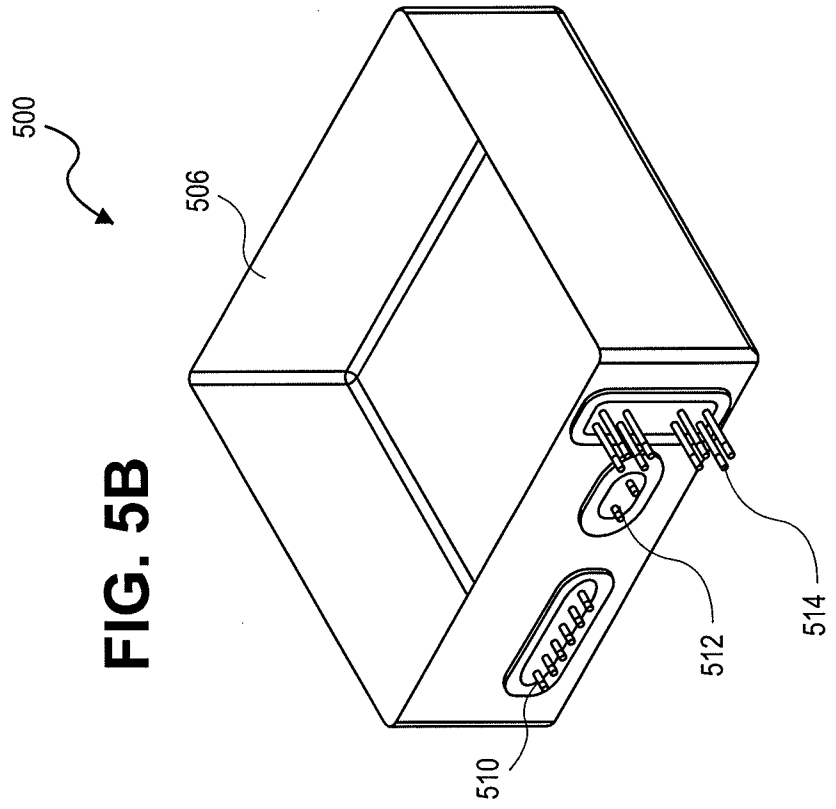


FIG. 6A

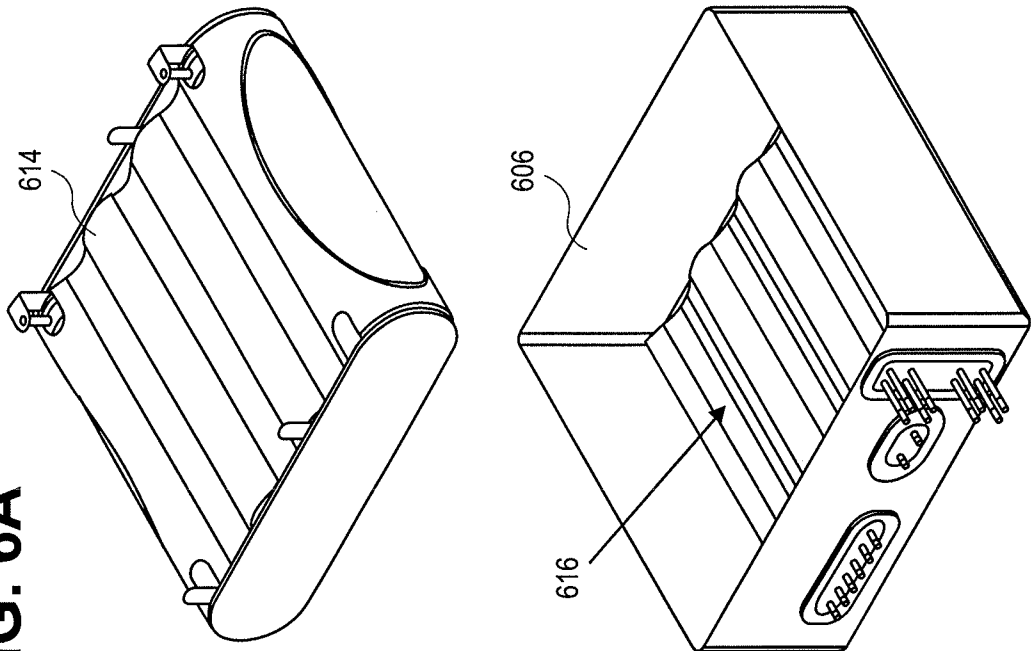


FIG. 6B

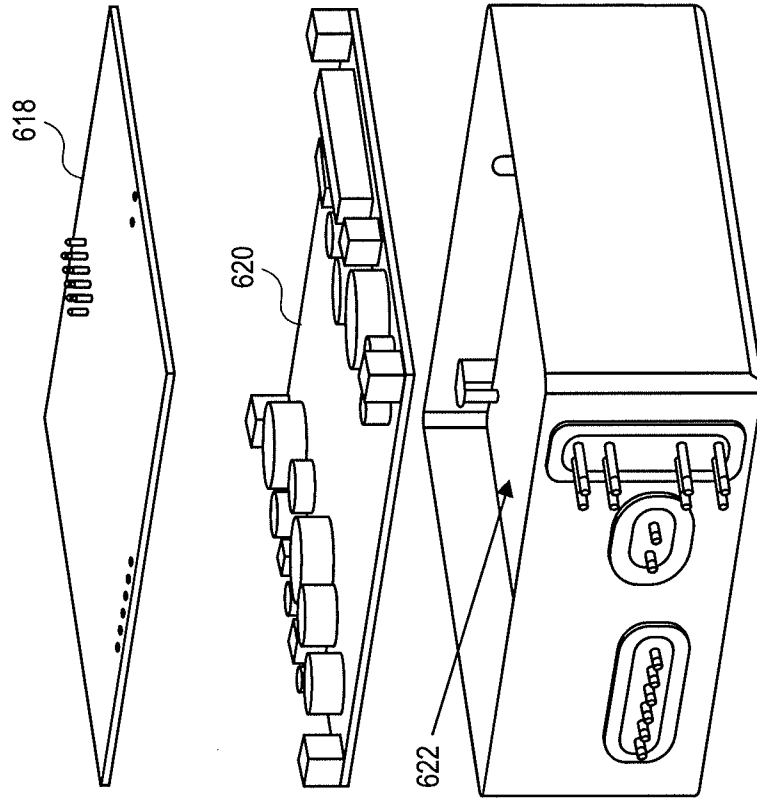


FIG. 7A

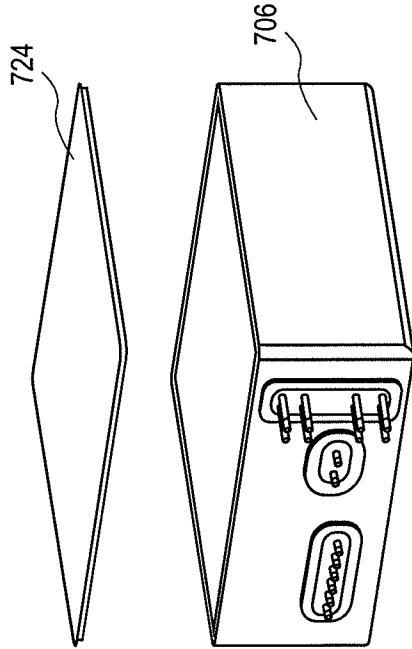


FIG. 7C

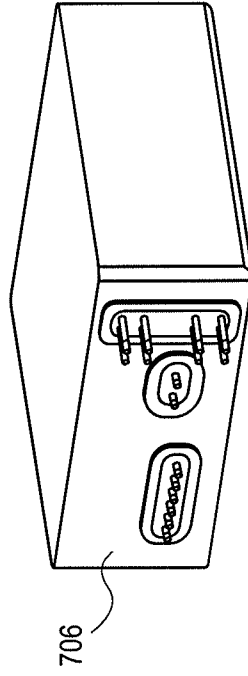


FIG. 7B

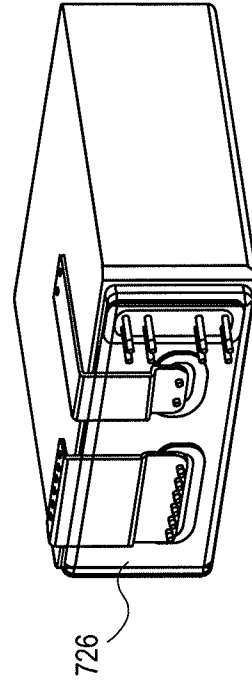


FIG. 8A

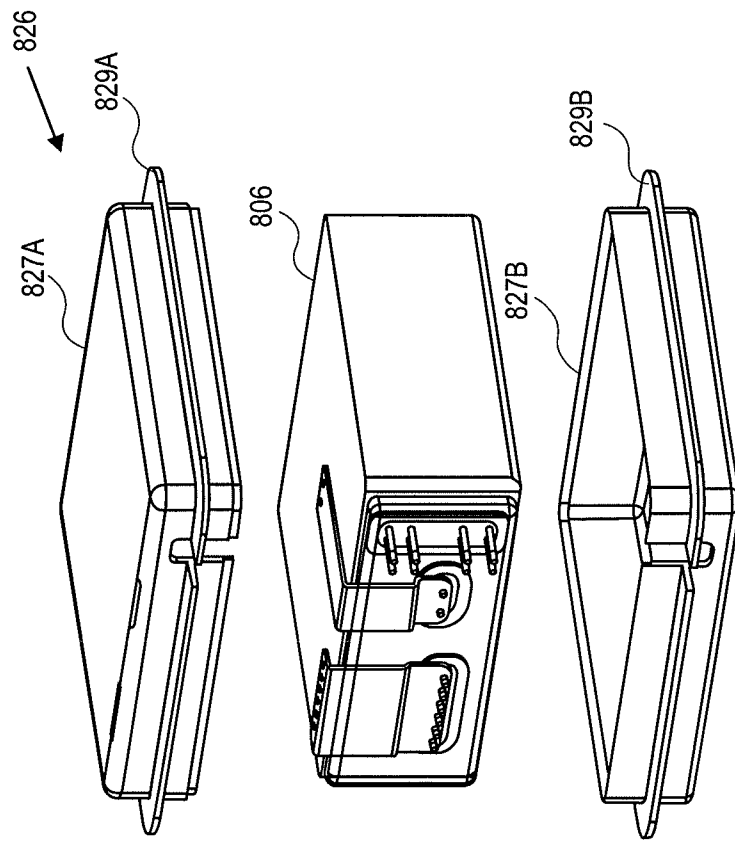


FIG. 8B

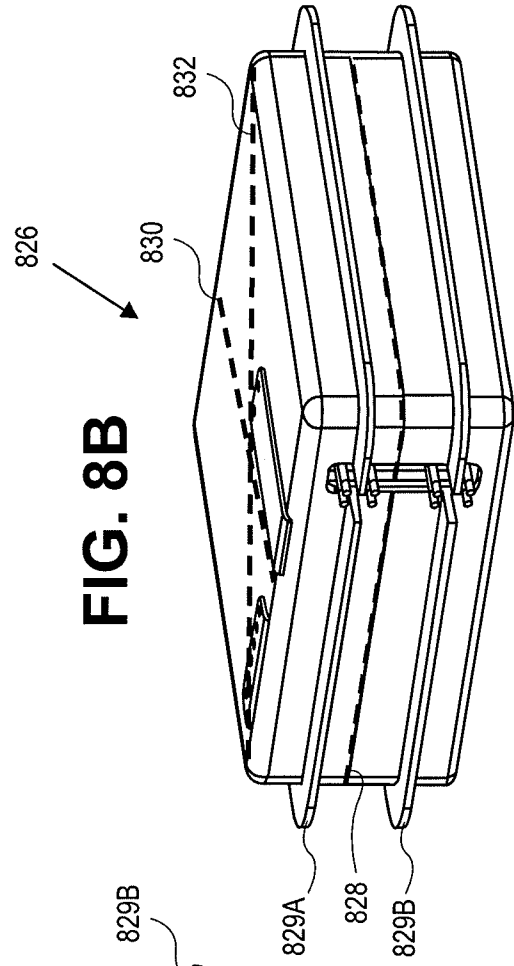


FIG. 8D

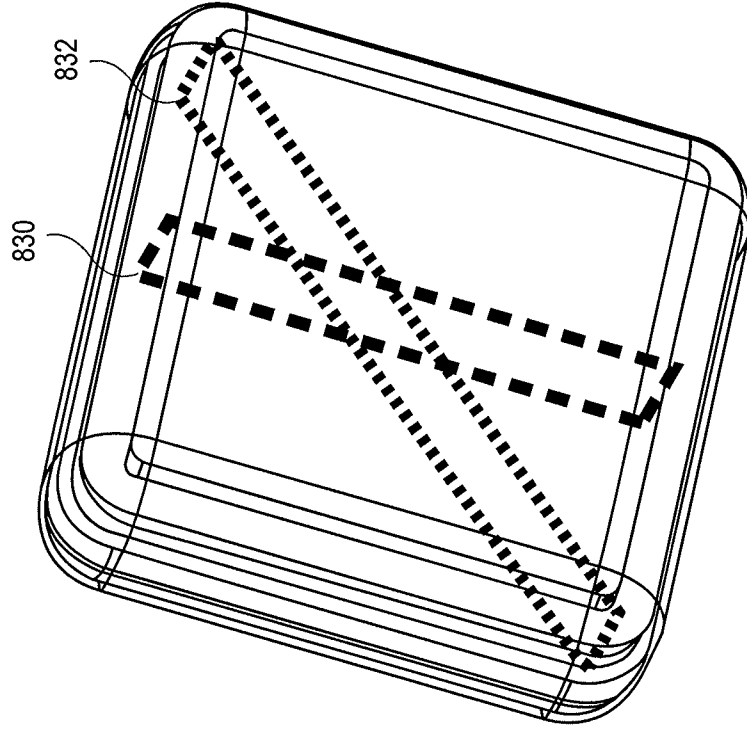


FIG. 8C

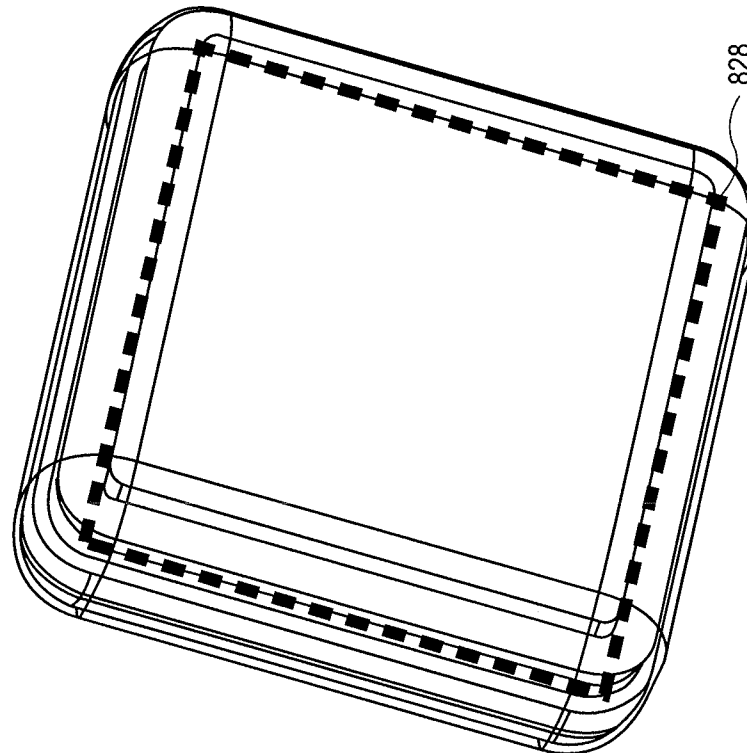


FIG. 9A

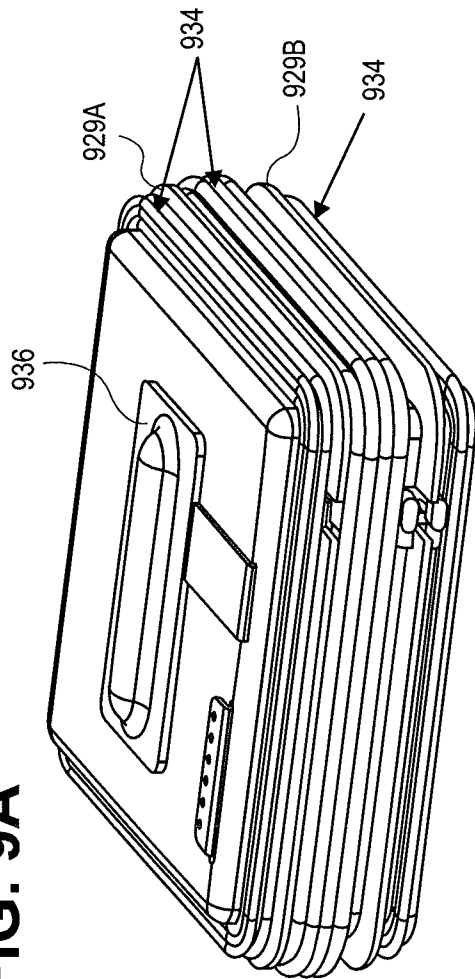


FIG. 9B

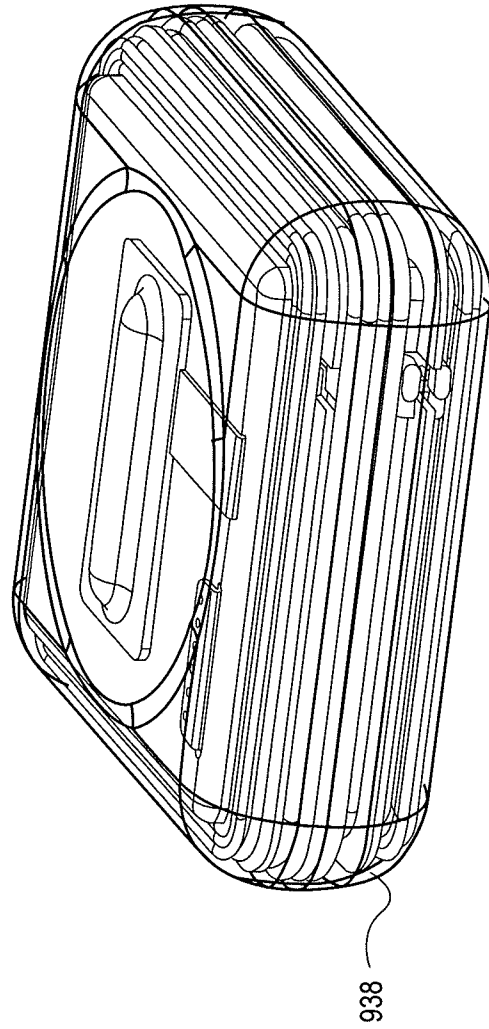


FIG. 9C

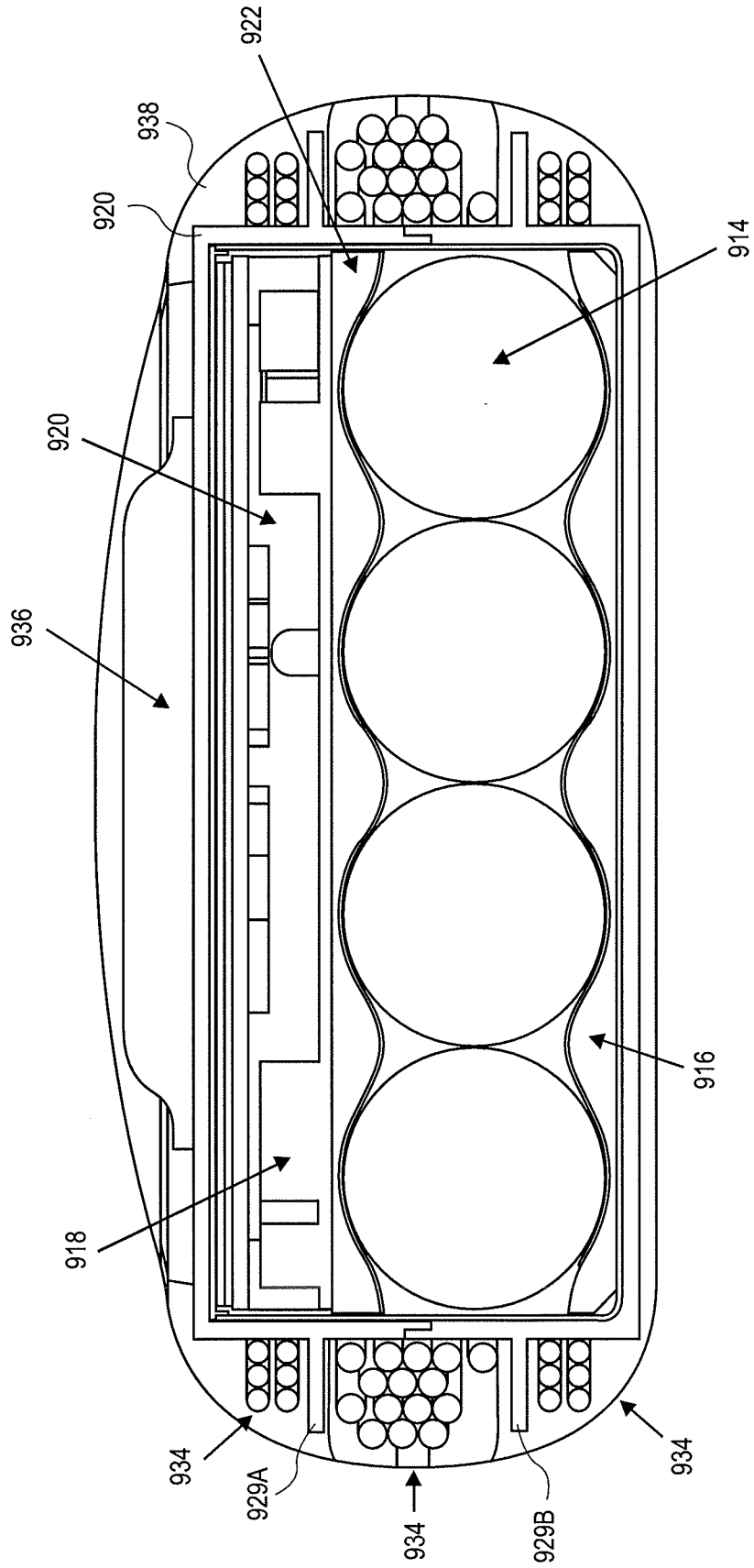


FIG. 10

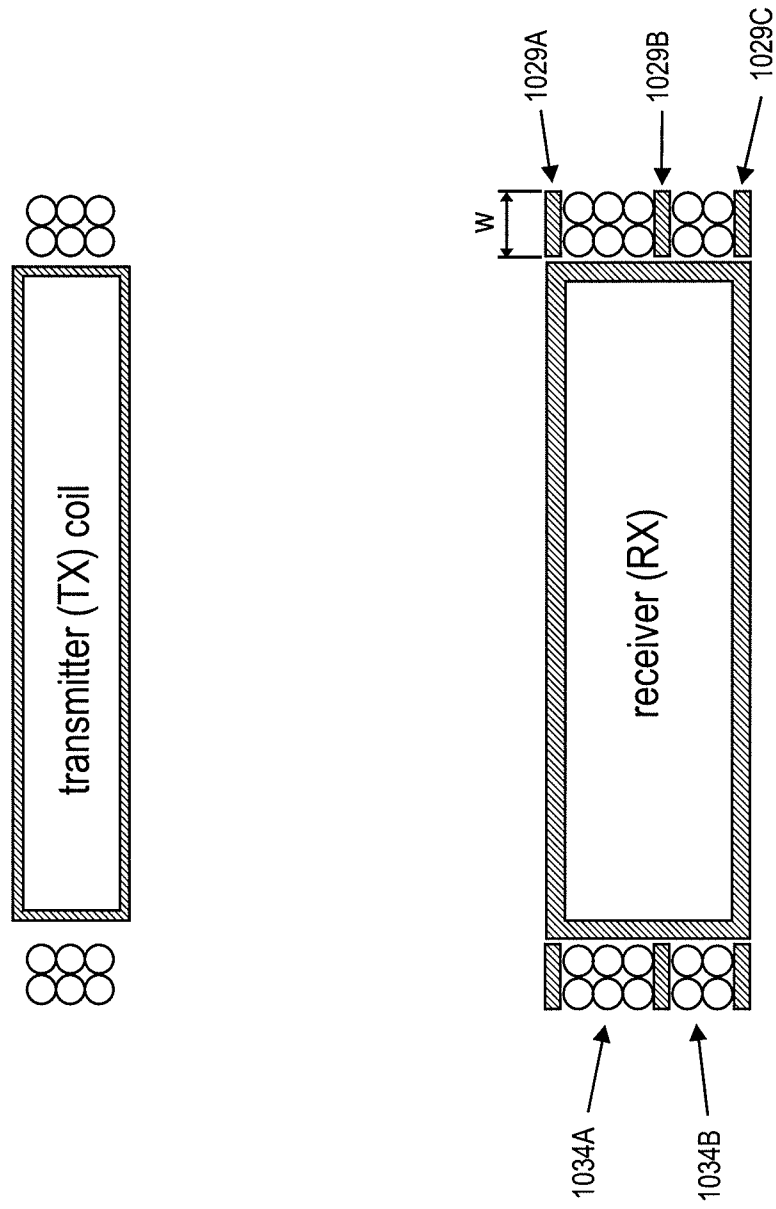


Fig. 11A

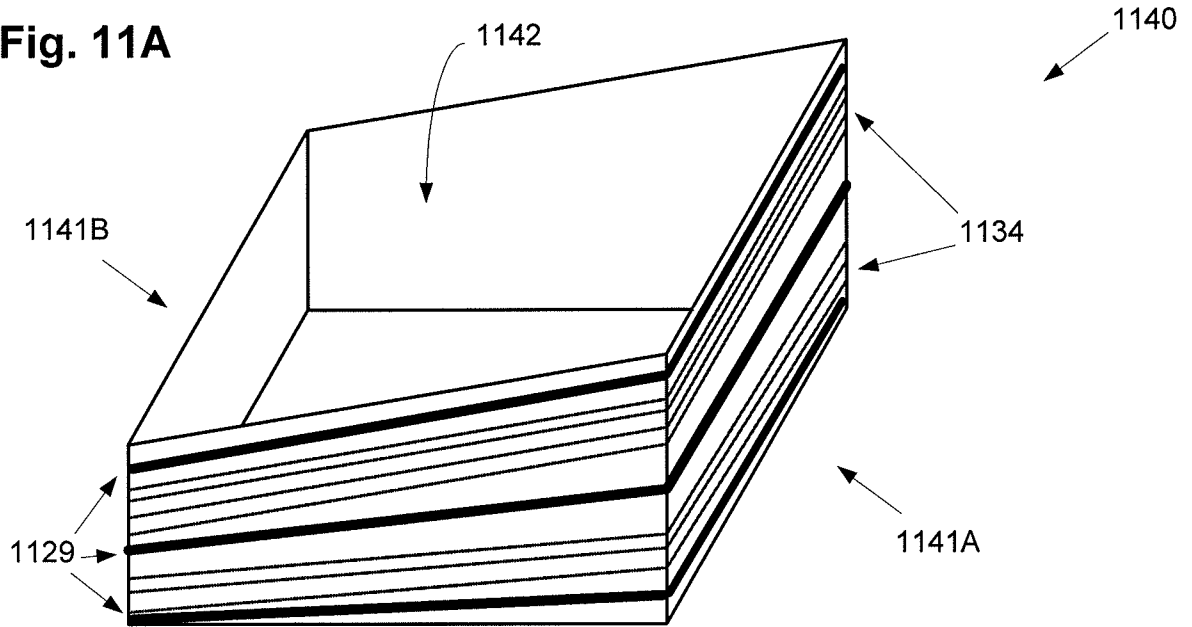
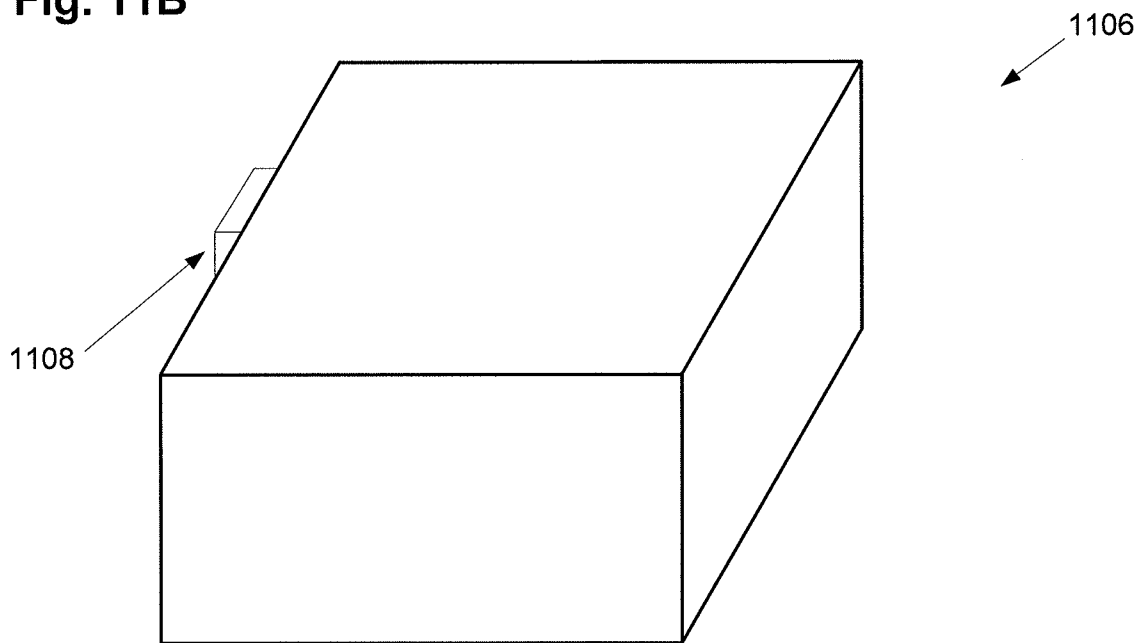


Fig. 11B



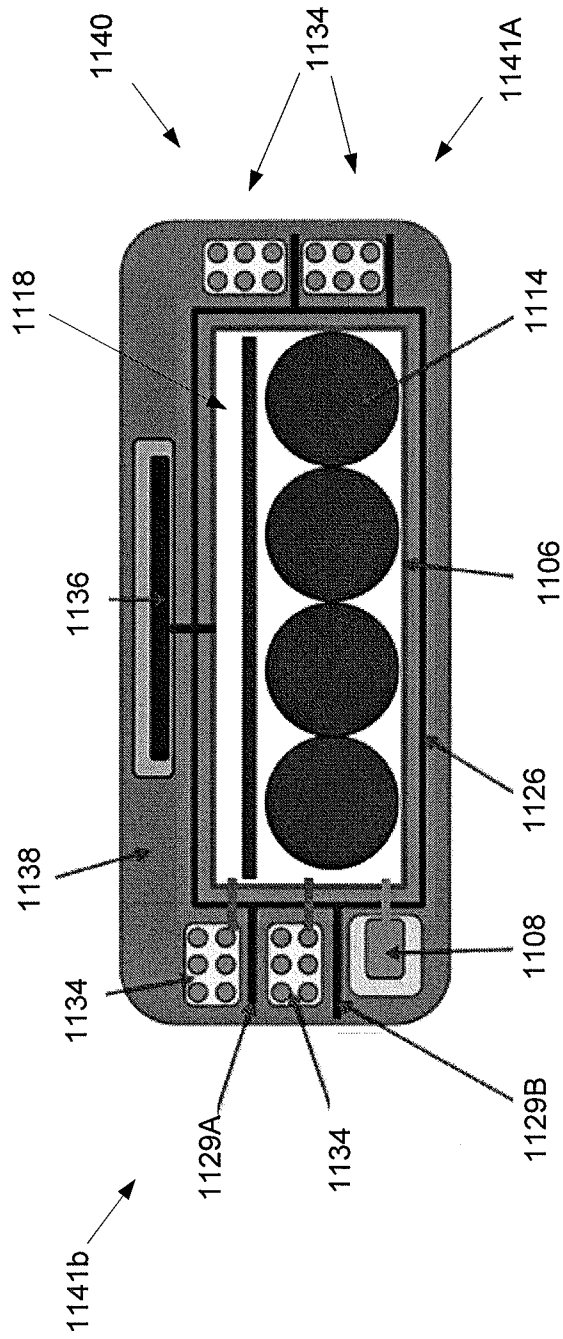


Fig. 11C

A. CLASSIFICATION OF SUBJECT MATTER**A61M 1/12(2006.01)i, A61F 2/48(2006.01)i, A61N 1/378(2006.01)i**

According to International Patent Classification (IPC) or to both national classification and IPC

B. FIELDS SEARCHED

Minimum documentation searched (classification system followed by classification symbols)

A61M 1/12; A61F 11/04; A61N 1/378; A61N 1/372; A61N 1/08; H02J 7/00; H02J 17/00; A61F 2/48

Documentation searched other than minimum documentation to the extent that such documents are included in the fields searched

Korean utility models and applications for utility models

Japanese utility models and applications for utility models

Electronic data base consulted during the international search (name of data base and, where practicable, search terms used)

eKOMPASS(KIPO internal) & Keywords: TET receiver, implantable resonant wireless power transfer system, ferrite housing, ferrite fin, ferrite strip

C. DOCUMENTS CONSIDERED TO BE RELEVANT

Category*	Citation of document, with indication, where appropriate, of the relevant passages	Relevant to claim No.
A	US 2012-0150259 A1 (MESKENS, WERNER) 14 June 2012 See paragraphs [0024]-[0043]; claims 1-20; and figures 1A-6.	1-24
A	US 2012-0265003 A1 (D'AMBROSIO et al.) 18 October 2012 See paragraphs [0014], [0042] and [0066]-[0068]; claims 1-3, 19, 20 and 24; and figures 2, 4A and 6.	1-24
A	US 2005-0107847 A1 (GRUBER et al.) 19 May 2005 See claims 1-24; and figures 1-3.	1-24
A	US 2012-0146575 A1 (ARMSTRONG et al.) 14 June 2012 See paragraph [0021]; claims 1, 14 and 15; and figure 1.	1-24
A	US 2010-0069992 A1 (AGHASSIAN et al.) 18 March 2010 See paragraphs [0027]-[0030]; claim 7; and figure 1.	1-24

 Further documents are listed in the continuation of Box C. See patent family annex.

* Special categories of cited documents:

"A" document defining the general state of the art which is not considered to be of particular relevance

"E" earlier application or patent but published on or after the international filing date

"L" document which may throw doubts on priority claim(s) or which is cited to establish the publication date of another citation or other special reason (as specified)

"O" document referring to an oral disclosure, use, exhibition or other means

"P" document published prior to the international filing date but later than the priority date claimed

"T" later document published after the international filing date or priority date and not in conflict with the application but cited to understand the principle or theory underlying the invention

"X" document of particular relevance; the claimed invention cannot be considered novel or cannot be considered to involve an inventive step when the document is taken alone

"Y" document of particular relevance; the claimed invention cannot be considered to involve an inventive step when the document is combined with one or more other such documents, such combination being obvious to a person skilled in the art

"&" document member of the same patent family

Date of the actual completion of the international search

27 June 2014 (27.06.2014)

Date of mailing of the international search report

27 June 2014 (27.06.2014)

Name and mailing address of the ISA/KR

International Application Division
Korean Intellectual Property Office
189 Cheongsu-ro, Seo-gu, Daejeon Metropolitan City, 302-701,
Republic of Korea

Facsimile No. +82-42-472-7140

Authorized officer

CHANG, Bong Ho

Telephone No. +82-42-481-3353



INTERNATIONAL SEARCH REPORT

Information on patent family members

International application No.

PCT/US2014/030468

Patent document cited in search report	Publication date	Patent family member(s)	Publication date
US 2012-0150259 A1	14/06/2012	EP 2648800 A2	16/10/2013
		JP 2014-500097 A	09/01/2014
		WO 2012-077088 A2	14/06/2012
		WO 2012-077088 A3	15/11/2012
US 2012-0265003 A1	18/10/2012	EP 2697890 A2	19/02/2014
		US 8620447 B2	31/12/2013
		WO 2012-141752 A2	18/10/2012
		WO 2012-141752 A3	17/01/2013
US 2005-0107847 A1	19/05/2005	DE 10353943 A1	16/06/2005
		DE 10353943 B4	03/01/2013
		US 7650187 B2	19/01/2010
US 2012-0146575 A1	14/06/2012	AU 2011-338944 A1	04/07/2013
		EP 2624878 A1	14/08/2013
		EP 2624879 A1	14/08/2013
		EP 2648803 A1	16/10/2013
		US 2012-0089225 A1	12/04/2012
		US 2012-0150291 A1	14/06/2012
		US 2013-345493 A1	26/12/2013
		US 8551163 B2	08/10/2013
		WO 2012-047540 A1	12/04/2012
		WO 2012-047550 A1	12/04/2012
		WO 2012-078230 A1	14/06/2012
US 2010-0069992 A1	18/03/2010	US 2004-0068298 A1	08/04/2004
		US 2005-0131496 A1	16/06/2005
		US 2008-0208293 A1	28/08/2008
		US 2012-172948 A1	05/07/2012
		US 6631296 B1	07/10/2003
		US 6856838 B2	15/02/2005
		US 7379775 B2	27/05/2008
		US 7904171 B2	08/03/2011
		US 8155752 B2	10/04/2012