



US00D820331S

(12) **United States Design Patent**
Walters et al.

(10) **Patent No.:** **US D820,331 S**
(45) **Date of Patent:** **** Jun. 12, 2018**

(54) AIR-ASSISTED TORCH	5,564,918 A * 10/1996 Lin F23D 14/28 431/255
(71) Applicant: WORTHINGTON TORCH, LLC, Columbus, OH (US)	D376,302 S * 12/1996 Tsai D8/29.1 5,667,377 A * 9/1997 Lin F23D 14/28 126/406
(72) Inventors: Cliff Ryan Walters, Westerville, OH (US); ERIC Albert Sillies, Cincinnati, OH (US); Jason Robert Phillips, Cincinnati, OH (US)	5,921,768 A * 7/1999 Joncg F23Q 2/16 431/255 6,065,959 A 5/2000 Tsai (Continued)

(73) Assignee: **WORTHINGTON TORCH, LLC,**
Columbus, OH (US)

(**) Term: **15 Years**

(21) Appl. No.: **29/569,020**

(22) Filed: **Jun. 23, 2016**

(51) **LOC (11) Cl.** **15-09**

(52) **U.S. Cl.** **D15/144**
USPC **D15/144**

(58) **Field of Classification Search**
USPC D15/144, 144.1, 144.2; D8/29.1, 29.2,
D8/30, 61-63, 67-69; D7/416, 417;
D27/141, 147, 148, 154-161; 219/130.1,
219/132, 137.31, 137.41, 137.44, 75;
431/254-256, 266, 273-277
CPC F23D 14/28; F23D 14/465; F23D 14/38;
F23D 14/72; F23D 14/40; F23Q 2/16
See application file for complete search history.

(56) **References Cited**

U.S. PATENT DOCUMENTS

D200,876 S * 4/1965 Kuenzl D8/22
D241,705 S * 10/1976 Kotone D8/61
D260,846 S * 9/1981 Summers 219/121.39
D302,097 S * 7/1989 Spaulding D8/30
5,082,440 A * 1/1992 Yamamoto F23D 14/28 431/143
D357,848 S * 5/1995 Izumisawa D8/62
5,505,614 A * 4/1996 Lin F23D 14/28 431/143
5,538,419 A 7/1996 Lin

OTHER PUBLICATIONS

“LG40 PT-31 Air Plasma Cutting Torch Head Body.” Found online
Mar. 29, 2018 at www.amazon.com. Page dated Jul. 11, 2015.
Retrieved from URL: <https://goo.gl/gSr6uw> (Year: 2015).*

(Continued)

Primary Examiner — Garth Rademaker
Assistant Examiner — Katelin G Kloberg
(74) *Attorney, Agent, or Firm* — Cheryl S. Scotney;
Hasse & Nesbitt, LLC

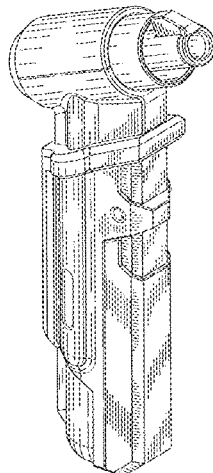
(57) **CLAIM**

We claim the ornamental design for an air-assisted torch, as
shown and described.

DESCRIPTION

FIG. 1 is a top perspective view of an air-assisted torch,
showing my new design.
FIG. 2 is a bottom perspective view thereof;
FIG. 3 is a left side elevational view thereof;
FIG. 4 is a right side elevational view thereof;
FIG. 5 is a front side elevational view thereof;
FIG. 6 is a back side elevational view thereof;
FIG. 7 is a top plan view thereof; and,
FIG. 8 is bottom plan view thereof.
The broken lines shown in the drawings represent portions
of the article and form no part of the claimed design.

1 Claim, 4 Drawing Sheets



(56)

References Cited

U.S. PATENT DOCUMENTS

- | | | | | | | | | | | | |
|--------------|------|---------|------------------|-------|-------------|--------------|------|---------|-------------|-------|------------|
| 6,196,833 | B1 * | 3/2001 | Ho | | F23D 14/38 | 2008/0044780 | A1 * | 2/2008 | Berkovits | | F23D 14/28 |
| | | | | | 431/153 | | | | | | 431/153 |
| D440,847 | S * | 4/2001 | Izumisawa | | D8/61 | 2009/0098494 | A1 * | 4/2009 | Aronson, II | | F23D 14/28 |
| D444,912 | S * | 7/2001 | Xie | | D27/157 | | | | | | 431/153 |
| D456,428 | S * | 4/2002 | Aronson, II | | D15/144 | 2010/0261129 | A1 * | 10/2010 | Lin | | F23D 14/28 |
| D459,540 | S | 6/2002 | Chen | | | | | | | | 431/344 |
| D463,065 | S | 9/2002 | Lee | | | 2012/0244480 | A1 * | 9/2012 | Tsai | | F23D 14/28 |
| D464,463 | S | 10/2002 | Smith | | | | | | | | 431/153 |
| D465,978 | S * | 11/2002 | Miyanaga | | D8/30 | 2016/0018108 | A1 | 1/2016 | Rahbar | | |
| D468,176 | S * | 1/2003 | Morgan | | D8/61 | 2016/0258620 | A1 * | 9/2016 | Yang | | F23D 14/38 |
| D468,482 | S | 1/2003 | Lin | | | | | | | | |
| D477,507 | S * | 7/2003 | Lin | | D8/30 | | | | | | |
| 6,659,763 | B2 | 12/2003 | Fisher | | | | | | | | |
| 6,727,444 | B1 * | 4/2004 | Lin | | H01H 9/06 | | | | | | |
| | | | | | 200/61.86 | | | | | | |
| D489,235 | S * | 5/2004 | Hewett | | D8/30 | | | | | | |
| D492,561 | S * | 7/2004 | Chen | | D8/61 | | | | | | |
| D501,273 | S | 1/2005 | Kwok | | | | | | | | |
| D509,622 | S | 9/2005 | Smith | | | | | | | | |
| 7,527,496 | B2 * | 5/2009 | Lin | | F23D 14/465 | | | | | | |
| | | | | | 431/153 | | | | | | |
| 7,566,219 | B2 * | 7/2009 | Lin | | F23D 14/28 | | | | | | |
| | | | | | 431/153 | | | | | | |
| 7,614,874 | B2 | 11/2009 | Mochizuki et al. | | | | | | | | |
| 7,682,148 | B2 | 3/2010 | Mochizuki et al. | | | | | | | | |
| 7,699,601 | B2 * | 4/2010 | Aronson, II | | F23D 14/28 | | | | | | |
| | | | | | 431/153 | | | | | | |
| 7,708,554 | B2 | 5/2010 | Tsai | | | | | | | | |
| 7,748,977 | B2 | 7/2010 | Mochizuki et al. | | | | | | | | |
| 8,449,291 | B2 | 5/2013 | Tsai | | | | | | | | |
| 9,822,971 | B2 * | 11/2017 | Lee | | F23D 14/28 | | | | | | |
| 2003/0203331 | A1 * | 10/2003 | Hsu | | F23D 14/40 | | | | | | |
| | | | | | 431/153 | | | | | | |
| 2006/0216664 | A1 * | 9/2006 | Lin | | F23Q 2/164 | | | | | | |
| | | | | | 431/153 | | | | | | |

OTHER PUBLICATIONS

- “Angled Turbo Jet Flame Windproof Lighter.” Found online Mar. 29, 2018 at www.amazon.co.uk. Page dated Mar. 20, 2013. Retrieved from URL: <https://www.amazon.co.uk/Angled-Turbo-Windproof-Lighter-Colour/dp/B00BXJPKBQ> (Year: 2013).*
- “BS-260 1300°C Adjustable Butane Jet Torch Lighter with Stand.” Found online Mar. 29, 2018 at www.dx.com. Page dated Jul. 13, 2015. Retrieved from URL: <http://www.dx.com/p/bs-260-1300-c-adjustable-butane-jet-torch-lighter-w-stand-silver-grey-149381#>. Wr0qpjN9OQ (Year: 2015).*
- “YouTube—The Spitfire Butane Refillable Torch.” Found online Mar. 29, 2018 at www.youtube.com. Page dated Aug. 22, 2014. Retrieved from URL: <https://www.youtube.com/watch?v=i3nalbHO60g> (Year: 2014).*
- “Tactical” from Scorch Torch Premium Lighters, product advertisement published online prior to Jun. 23, 2016, downloaded from www.scorchtorch.com/tactical, (1 page).
- “Scripto® Folding Utility Lighter”, from Calico Brands, Inc., product advertisement published online prior to Jun. 23, 2016, downloaded from www.calicobrand.com/foldinp-utility-lighter, (2 pages).
- “Luminere Candle Lighter” from BIC Corp., product advertisement published online prior to Jun. 23, 2016, downloaded from www.amazon.com/bic-luminere-candle-lighter-position, (1 page).

* cited by examiner

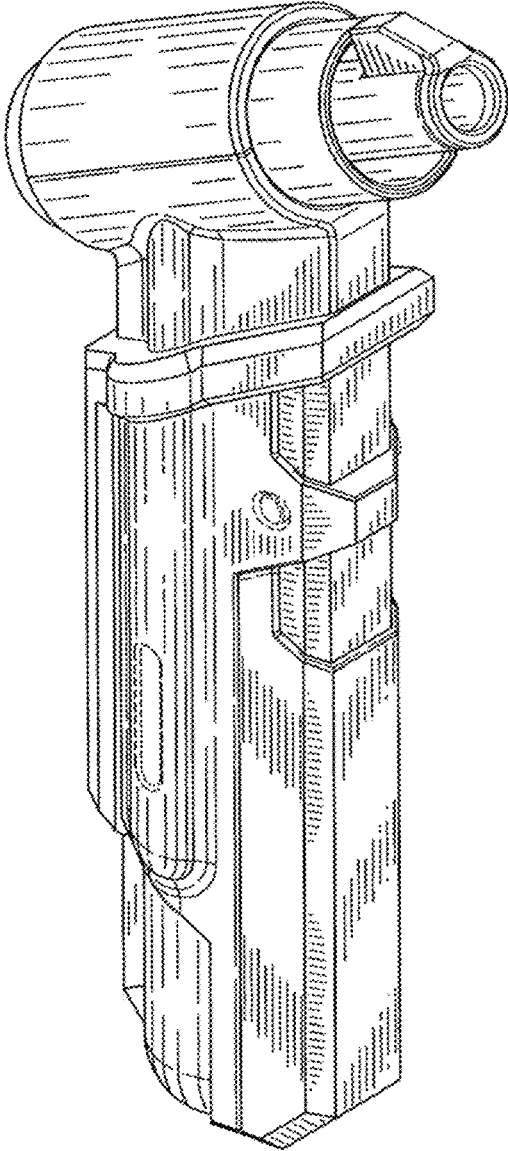


FIG. 1

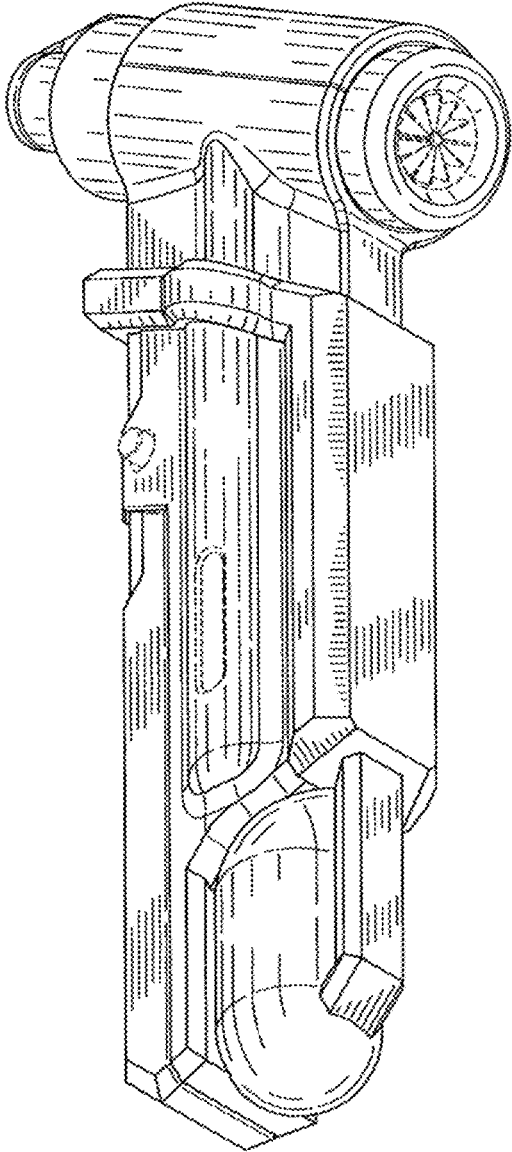


FIG.2

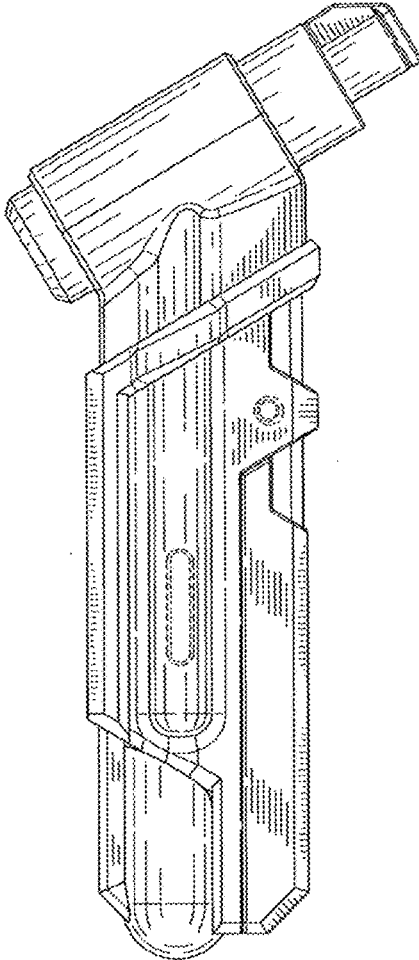


FIG. 3

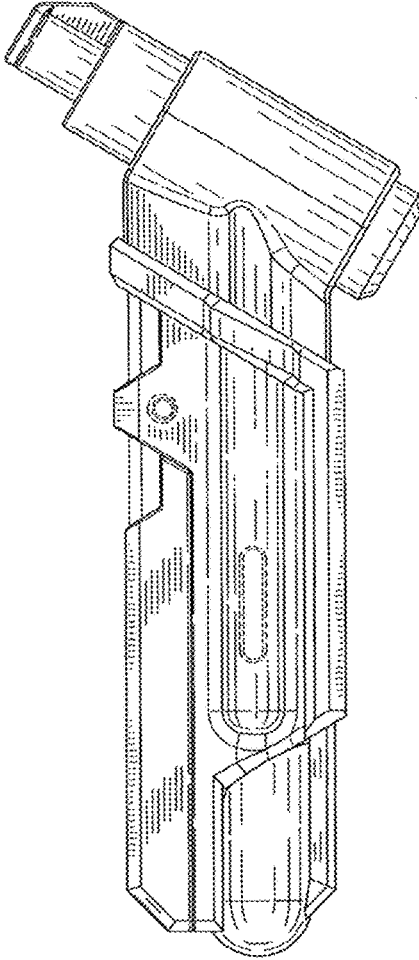


FIG. 4

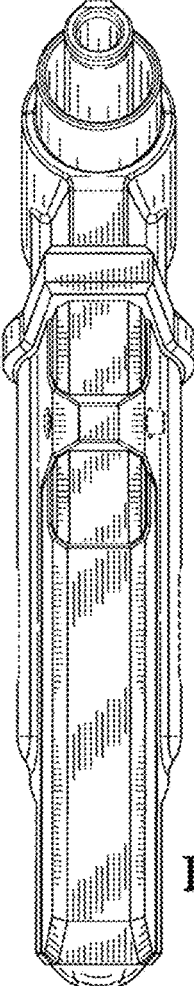


FIG. 5

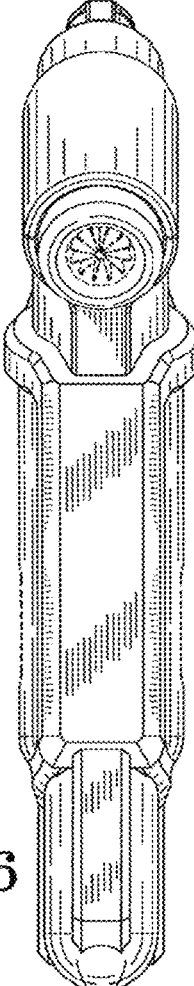


FIG. 6

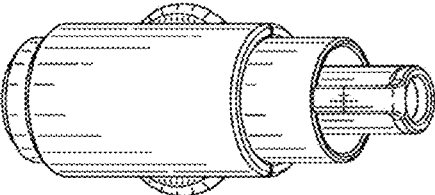


FIG. 7

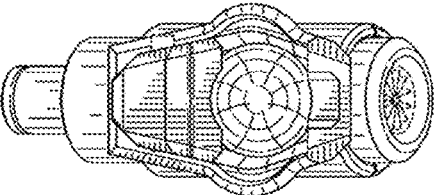


FIG. 8