



US00D488453S

(12) **United States Design Patent**
Chang et al.

(10) **Patent No.: US D488,453 S**
(45) **Date of Patent: ** Apr. 13, 2004**

(54) **MOBILE COMMUNICATION DEVICE**
(75) Inventors: **Jackson Chang**, Taipei (TW); **Chin-Fa Lee**, Taipei (TW); **Chi-Yu Ho**, Taipei (TW)

6,549,789 B1 * 4/2003 Kfoury 455/550
D475,688 S * 6/2003 Pierce et al. D14/138
D476,303 S * 6/2003 Lee et al. D14/138
6,587,675 B1 * 7/2003 Riddiford 455/90

(List continued on next page.)

(73) Assignee: **Inventec Appliances Corporation**
(TW)

FOREIGN PATENT DOCUMENTS

(**) Term: **14 Years**

FR 2601211 * 1/1988
JP 406164440 A * 6/1994
WO DM/058624 * 12/2001

(21) Appl. No.: **29/182,757**
(22) Filed: **Jun. 2, 2003**

Primary Examiner—Jeffrey Asch
(74) *Attorney, Agent, or Firm*—Birch, Stewart, Kolasch & Birch, LLP

(51) **LOC (7) Cl.** **14-03**
(52) **U.S. Cl.** **D14/138**
(58) **Field of Search** D14/137, 138,
D14/218, 147–148, 247–248, 144, 341–347;
379/433.01–433.13, 419, 434, 428.01–428.04,
420.01–420.04, 440; 455/550.1–90.3; D21/517

(57) **CLAIM**

The ornamental design for a mobile communication device, as shown and described.

(56) **References Cited**

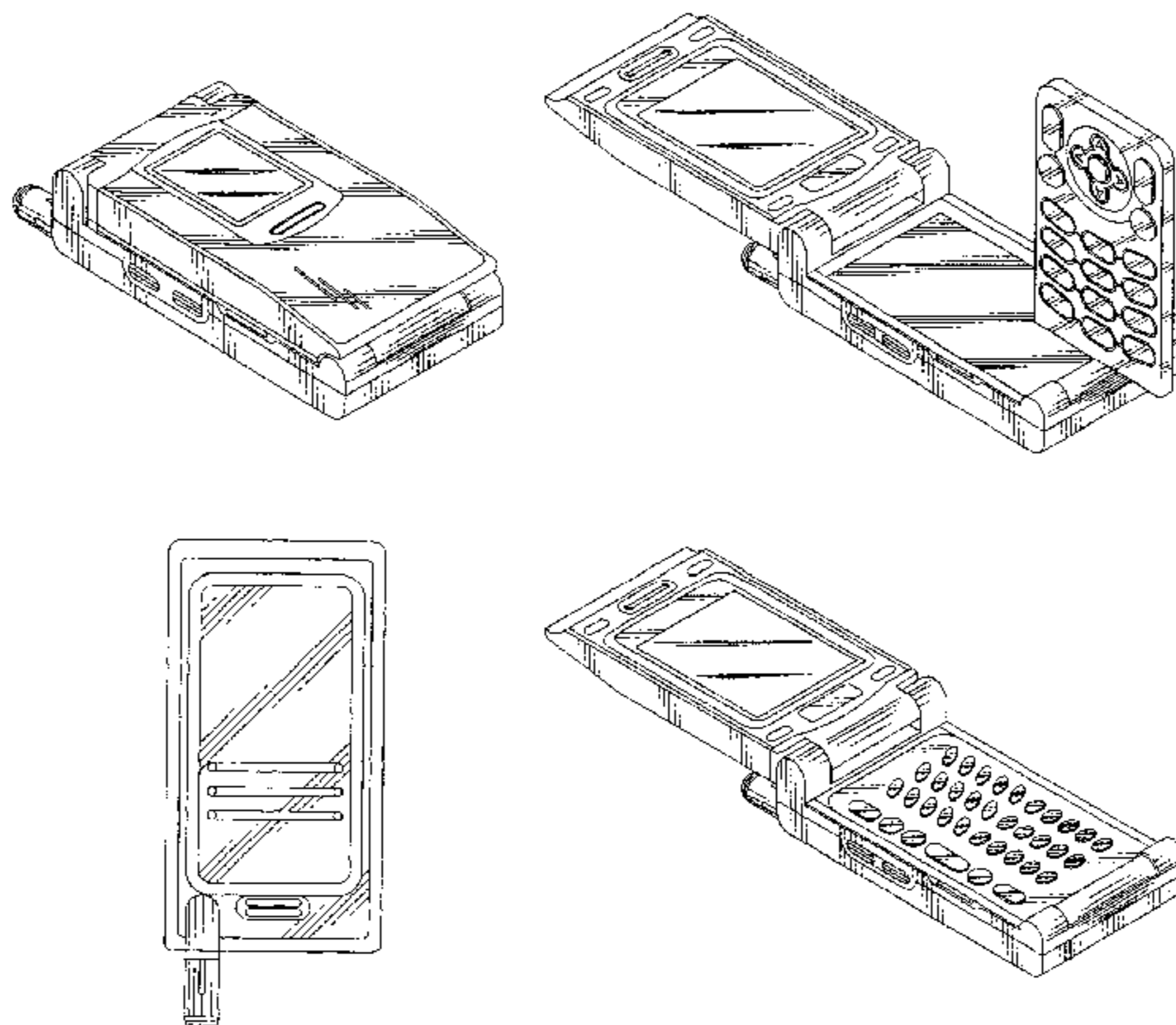
DESCRIPTION

U.S. PATENT DOCUMENTS

D370,673 S * 6/1996 Happo et al. D14/138
5,661,641 A * 8/1997 Shindo 361/814
D383,731 S * 9/1997 Miki et al. D14/100
D386,493 S * 11/1997 Mahan D14/138
D410,645 S * 6/1999 Wood et al. D14/138
6,038,313 A * 3/2000 Collins 379/433.07
6,047,196 A * 4/2000 Makela et al. 455/556.1
D430,566 S * 9/2000 Chu et al. D14/345
6,118,986 A * 9/2000 Harris et al. 455/573.3
6,233,469 B1 * 5/2001 Watanabe 455/575
6,243,595 B1 * 6/2001 Lee et al. 455/566
D446,201 S * 8/2001 Kim D14/138
D447,128 S * 8/2001 Lee et al. D14/138
D449,605 S * 10/2001 Schebesch et al. D14/345
6,397,078 B1 * 5/2002 Kim 455/556
D459,326 S * 6/2002 Nagai et al. D14/138
D459,710 S * 7/2002 Jeong D14/138
D465,218 S * 11/2002 Schebesch et al. D14/343
D465,487 S * 11/2002 Nagai et al. D14/346
6,505,036 B2 * 1/2003 Zilberberg et al. 455/117
6,510,325 B1 * 1/2003 Mack, II et al. 455/550
6,539,208 B1 * 3/2003 Mori 455/90

FIG. 1 is a perspective view thereof;
FIG. 2 is a bottom plan view thereof;
FIG. 3 is a top plan view thereof;
FIG. 4 is a left side view thereof;
FIG. 5 is a right side view thereof;
FIG. 6 is a front side view thereof;
FIG. 7 is a rear side view thereof;
FIG. 8 is a perspective view inside the device thereof;
FIG. 9 is a perspective view showing a used state of the mobile communication device by rotating its button plate about an axis to turn into a standing mode;
FIG. 10 is a perspective view showing a used state of the mobile communication device by rotating its button plate about another axis to turn into another standing mode from the mode shown in FIG. 9;
FIG. 11 is a perspective view showing a used state of the mobile communication device by rotating its button plate to still another standing mode from the mode shown in FIG. 10; and,
FIG. 12 is a perspective view showing a used state of the mobile communication device by rotating its button plate to an operable mode from the mode shown in FIG. 11.

1 Claim, 12 Drawing Sheets



US D488,453 S

Page 2

U.S. PATENT DOCUMENTS

6,628,961	B1	*	9/2003	Ho et al.	455/554
2001/0003707	A1	*	6/2001	Moriya	455/566
2001/0011029	A1	*	8/2001	Iwabuchi et al.	455/566
2001/0036265	A1	*	11/2001	Oh	379/433.01
2002/0072335	A1	*	6/2002	Watanabe	455/575.1
2002/0072395	A1	*	6/2002	Miramontes	455/566
2002/0114448	A1	*	8/2002	Kim et al.	379/433.13
2002/0118824	A1	*	8/2002	Yun	379/428.01
2002/0169010	A1	*	11/2002	Shoji et al.	455/575.1
2002/0173281	A1	*	11/2002	Kobayashi	455/575.1
2002/0173340	A1	*	11/2002	Watanabe	455/556.1
2002/0180707	A1	*	12/2002	Sato	345/169
2003/0064758	A1	*	4/2003	Mizuta et al.	455/566
2003/0092401	A1	*	5/2003	Ikeuchi	455/90.1
2003/0096582	A1	*	5/2003	Kim	455/90.1
2003/0119543	A1	*	6/2003	Kfoury et al.	455/550.1
2003/0125079	A1	*	7/2003	Park et al.	455/556.1
2003/0153282	A1	*	8/2003	Sun et al.	455/90.1
2003/0153349	A1	*	8/2003	Sun et al.	455/550.1
2003/0157957	A1	*	8/2003	Wdroff	455/550.1

* cited by examiner

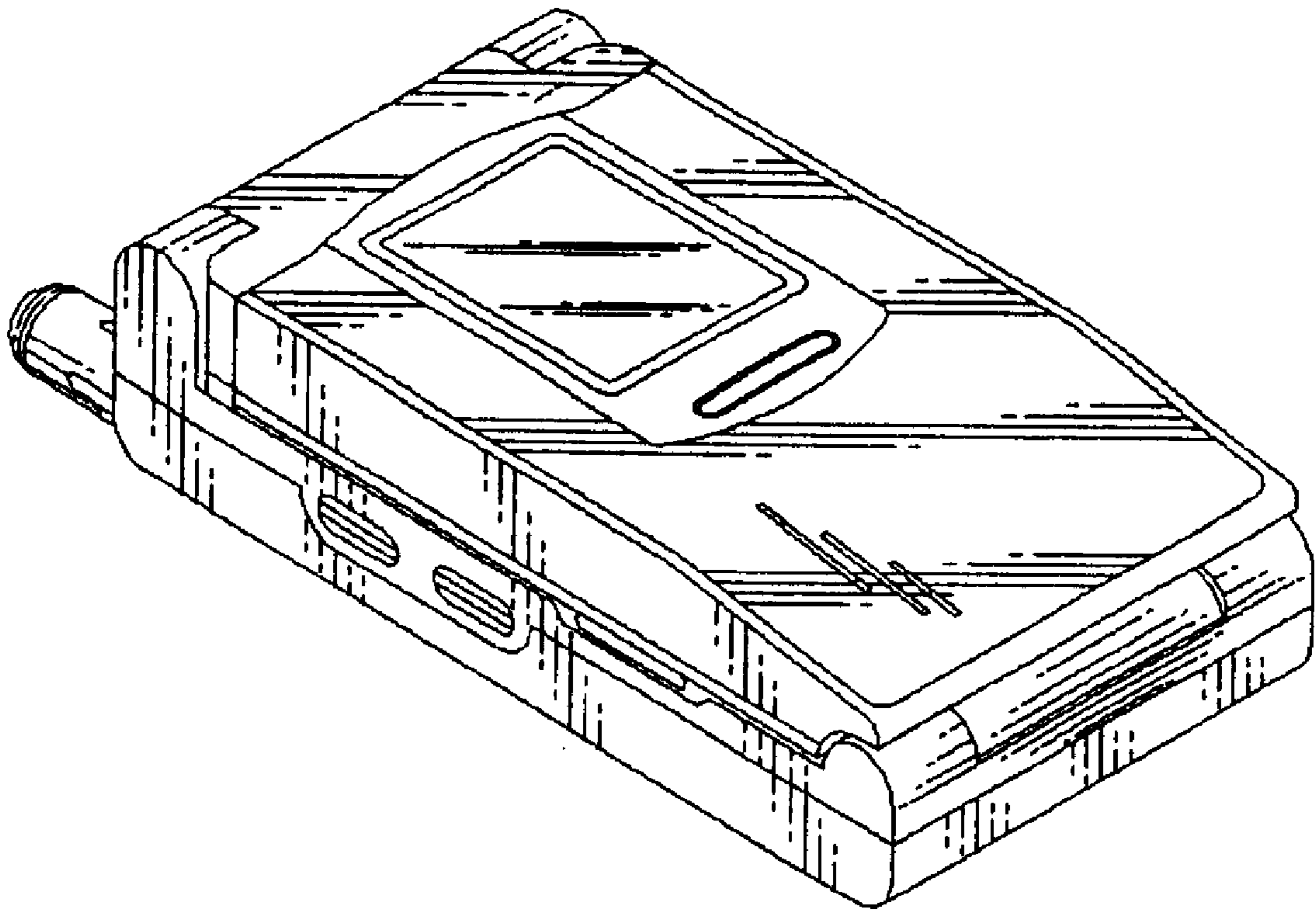


FIG. 1

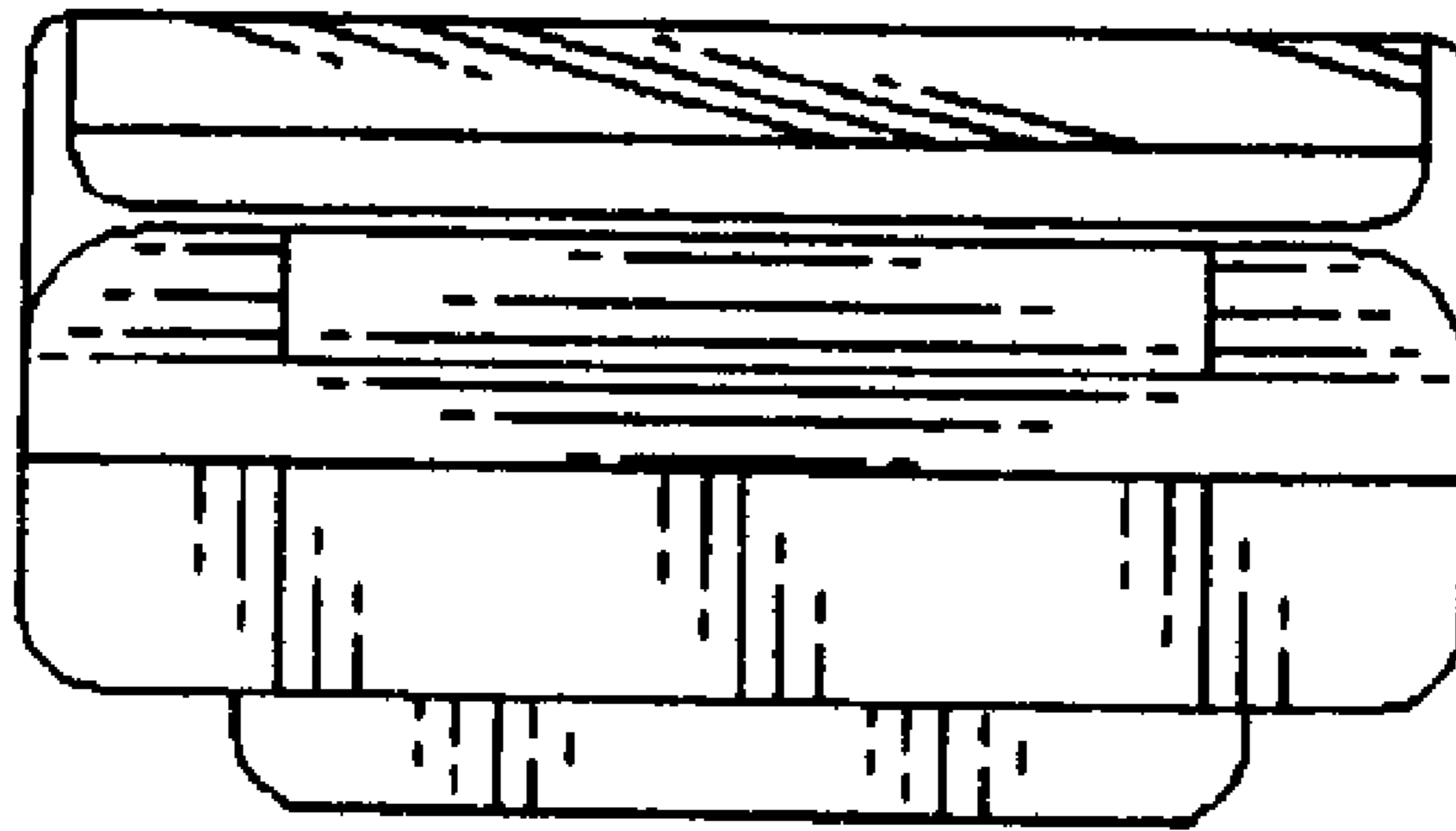


FIG. 2

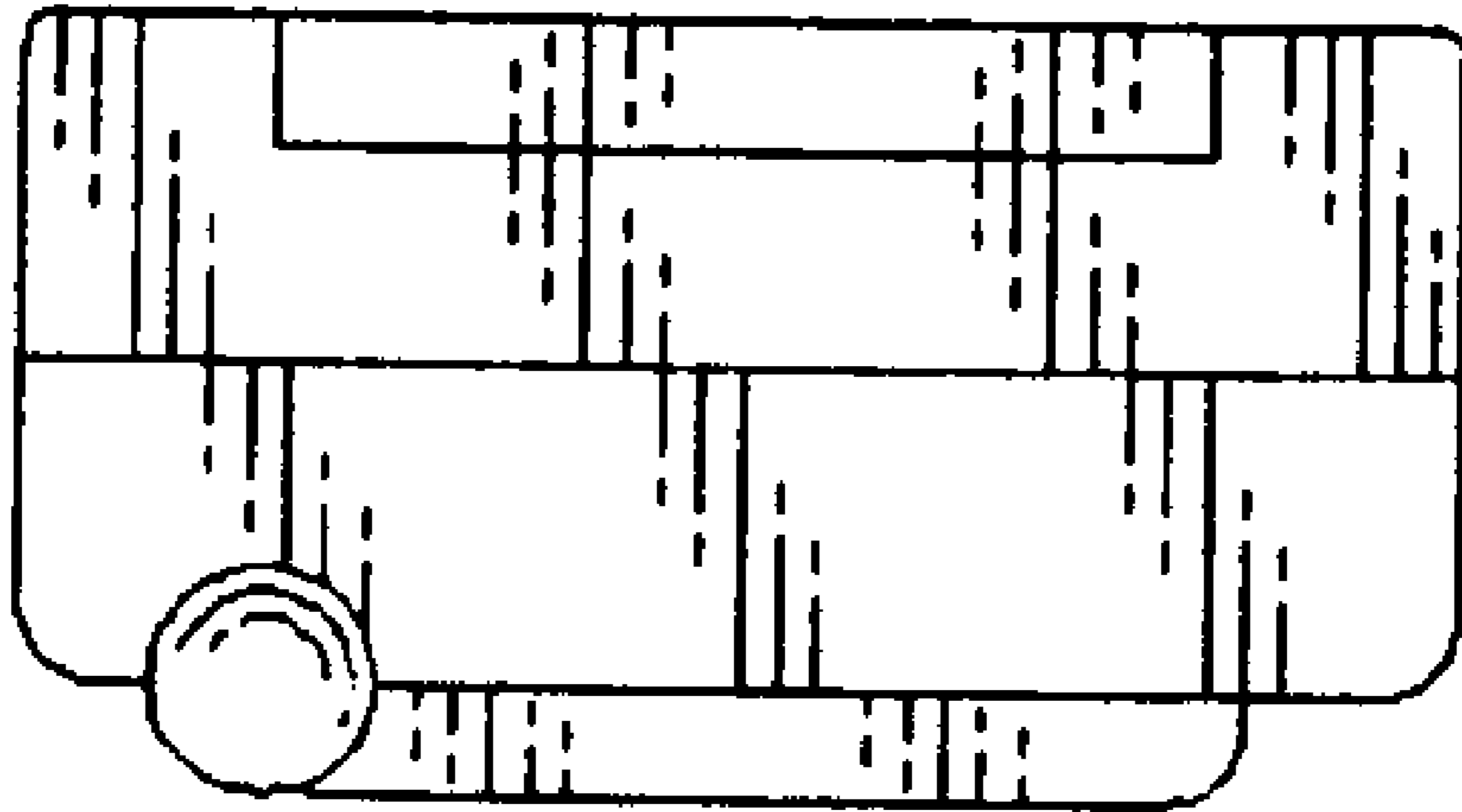


FIG. 3

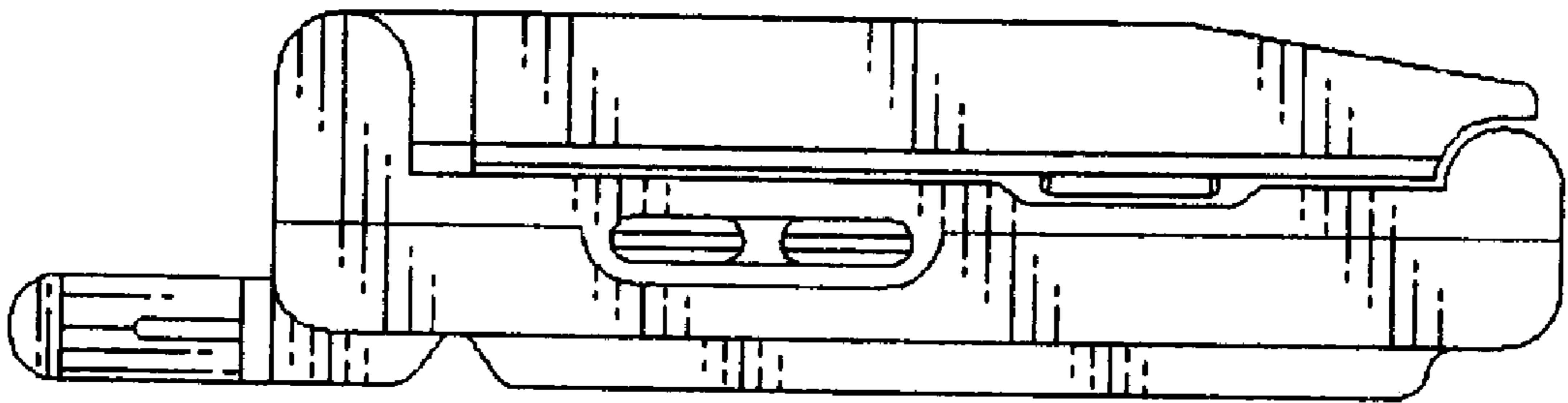


FIG. 4

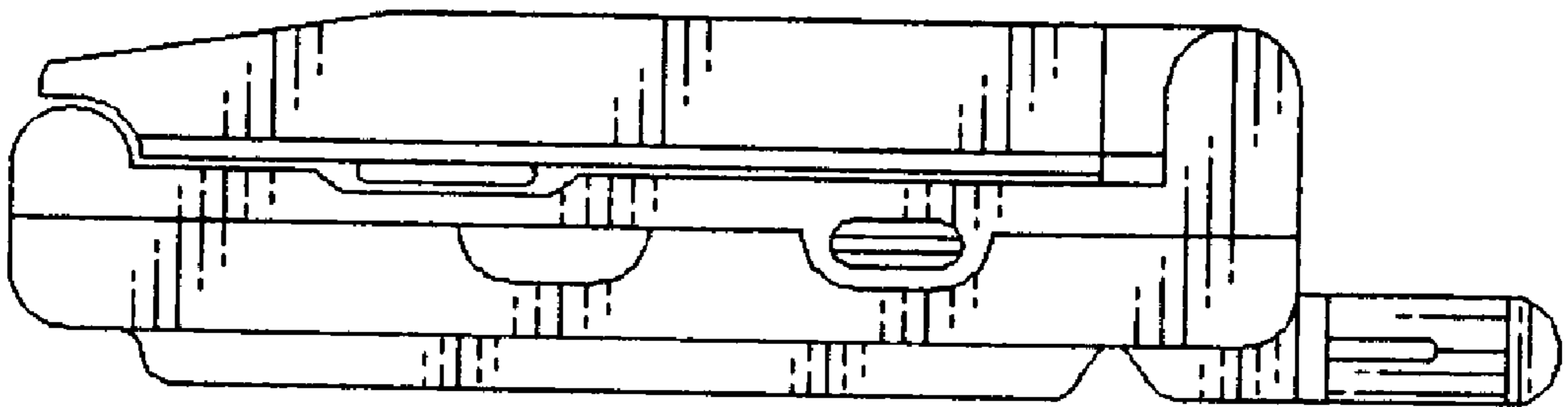


FIG. 5

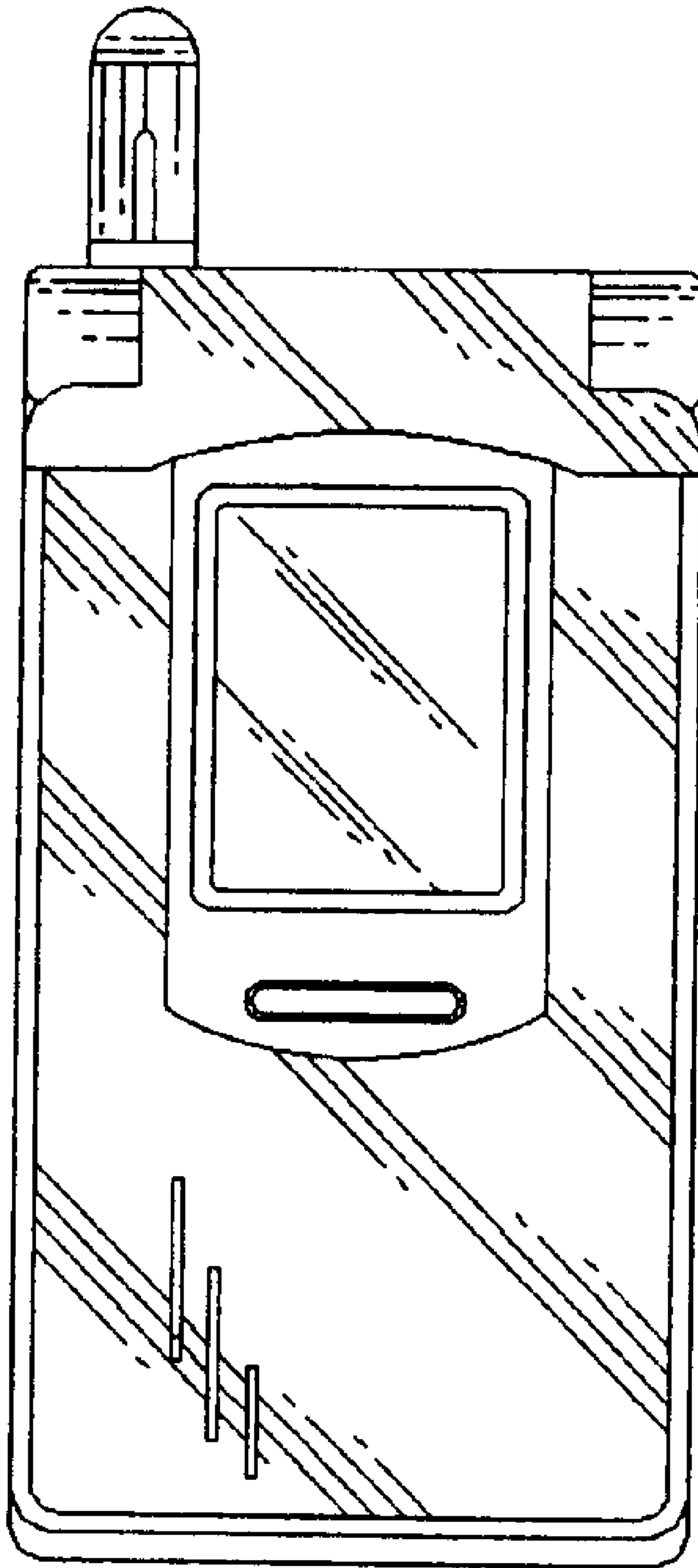


FIG. 6

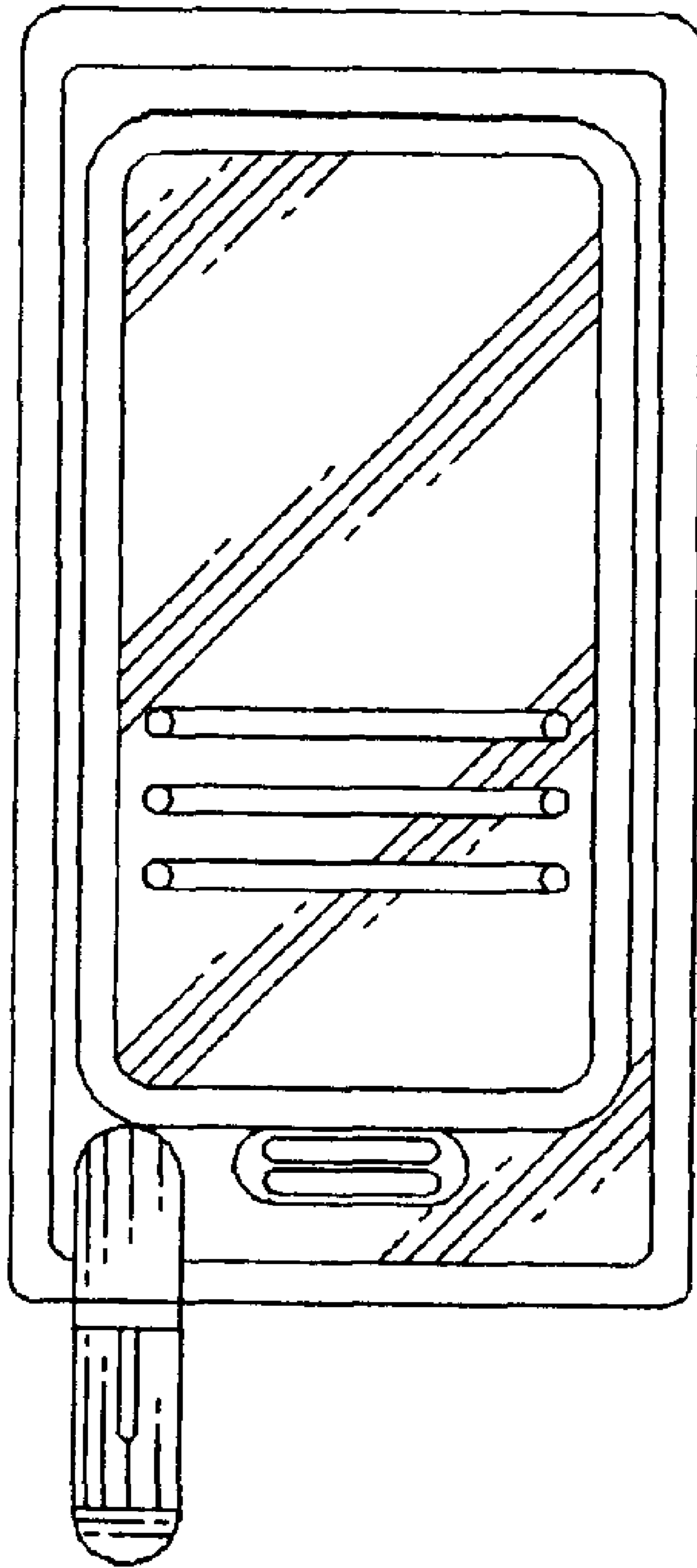


FIG. 7

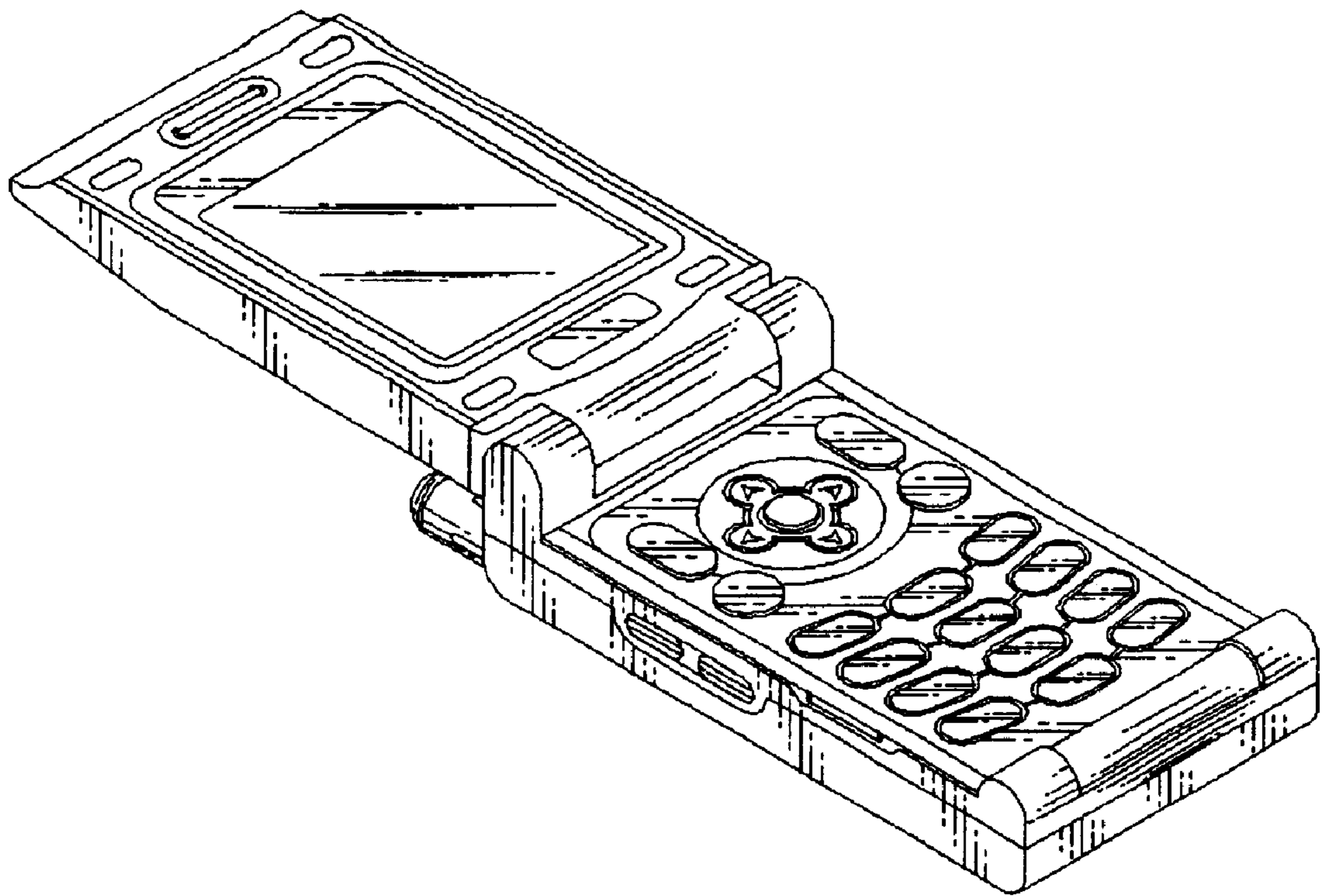


FIG. 8

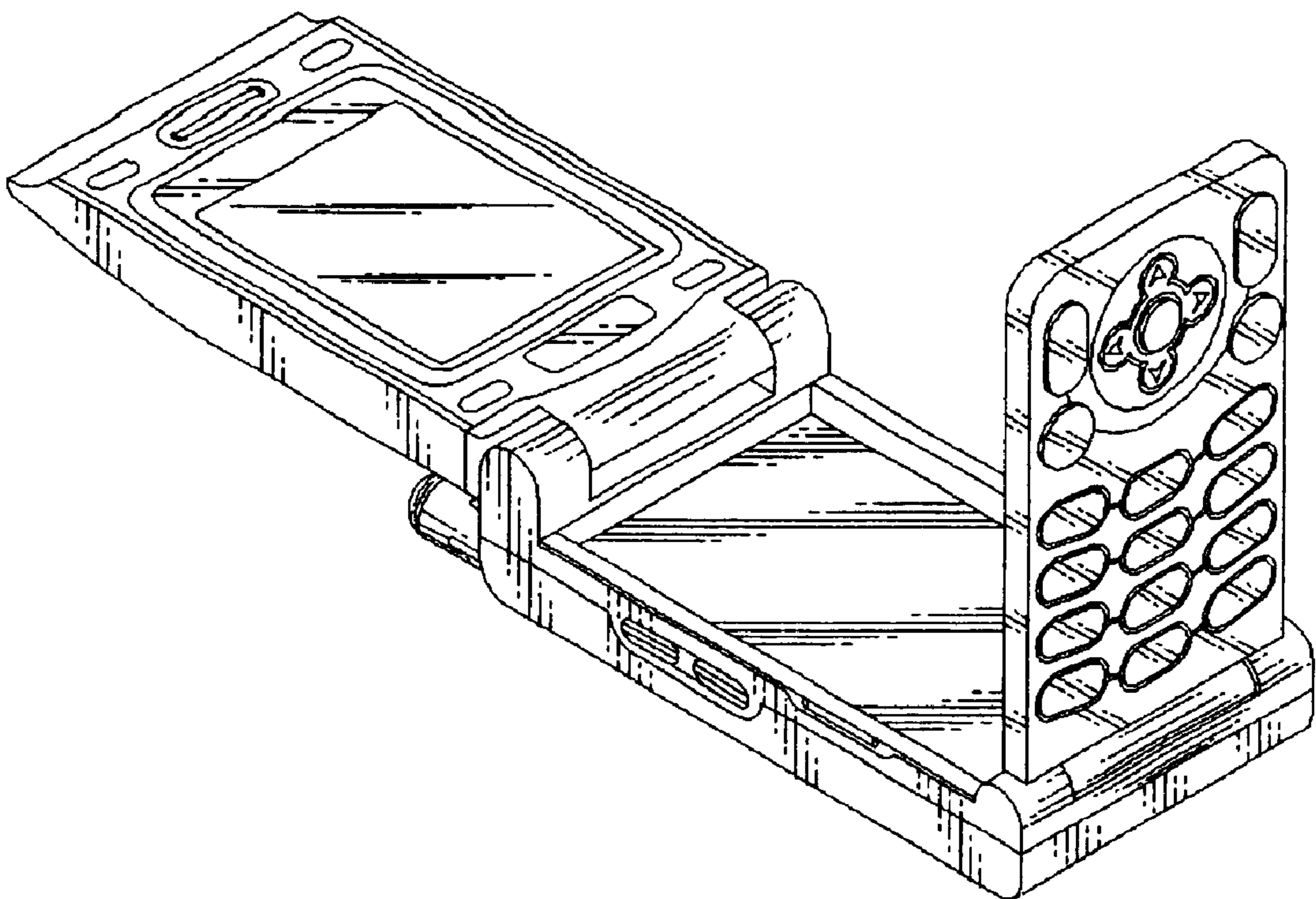


FIG. 9

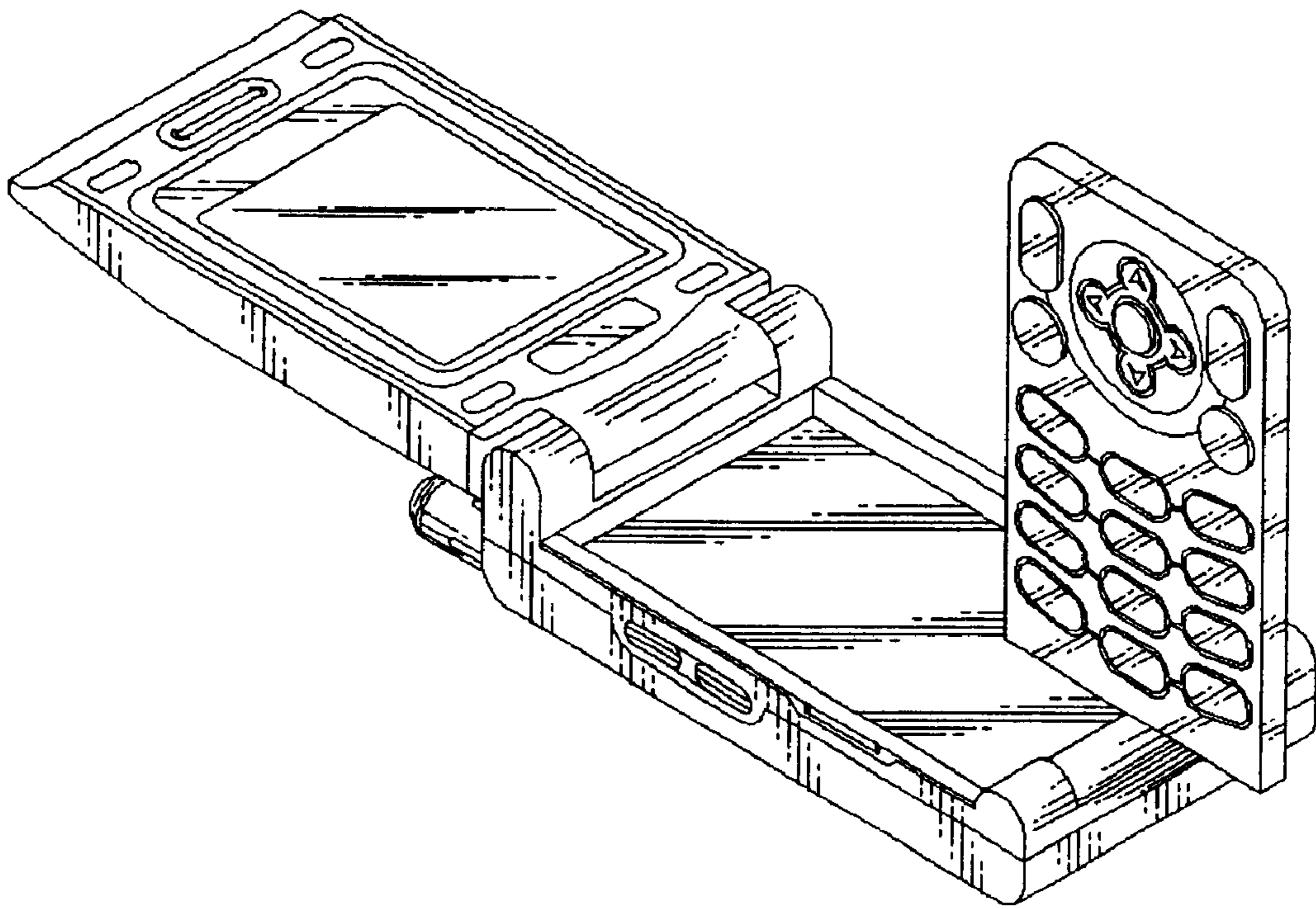


FIG. 10

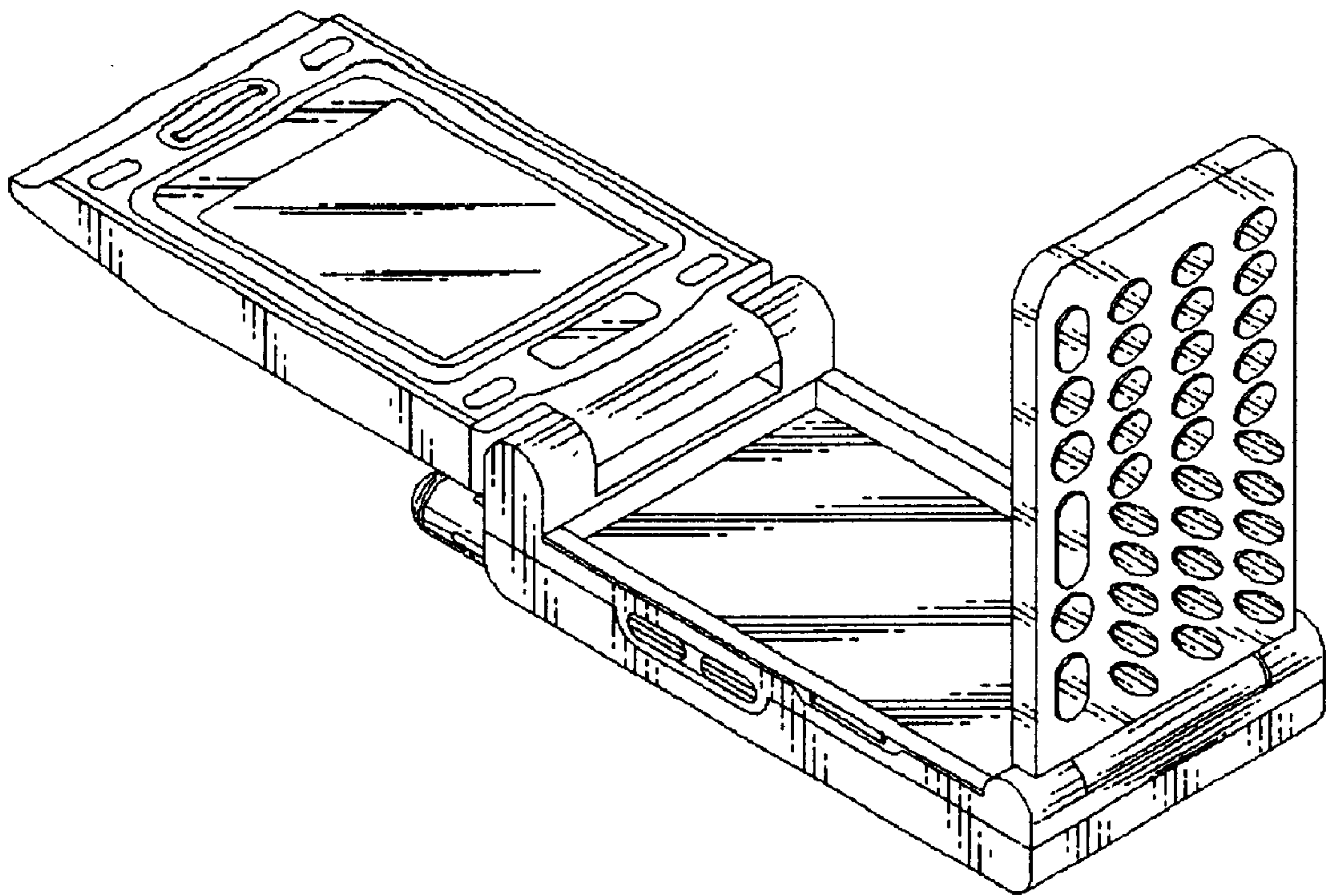


FIG. 11

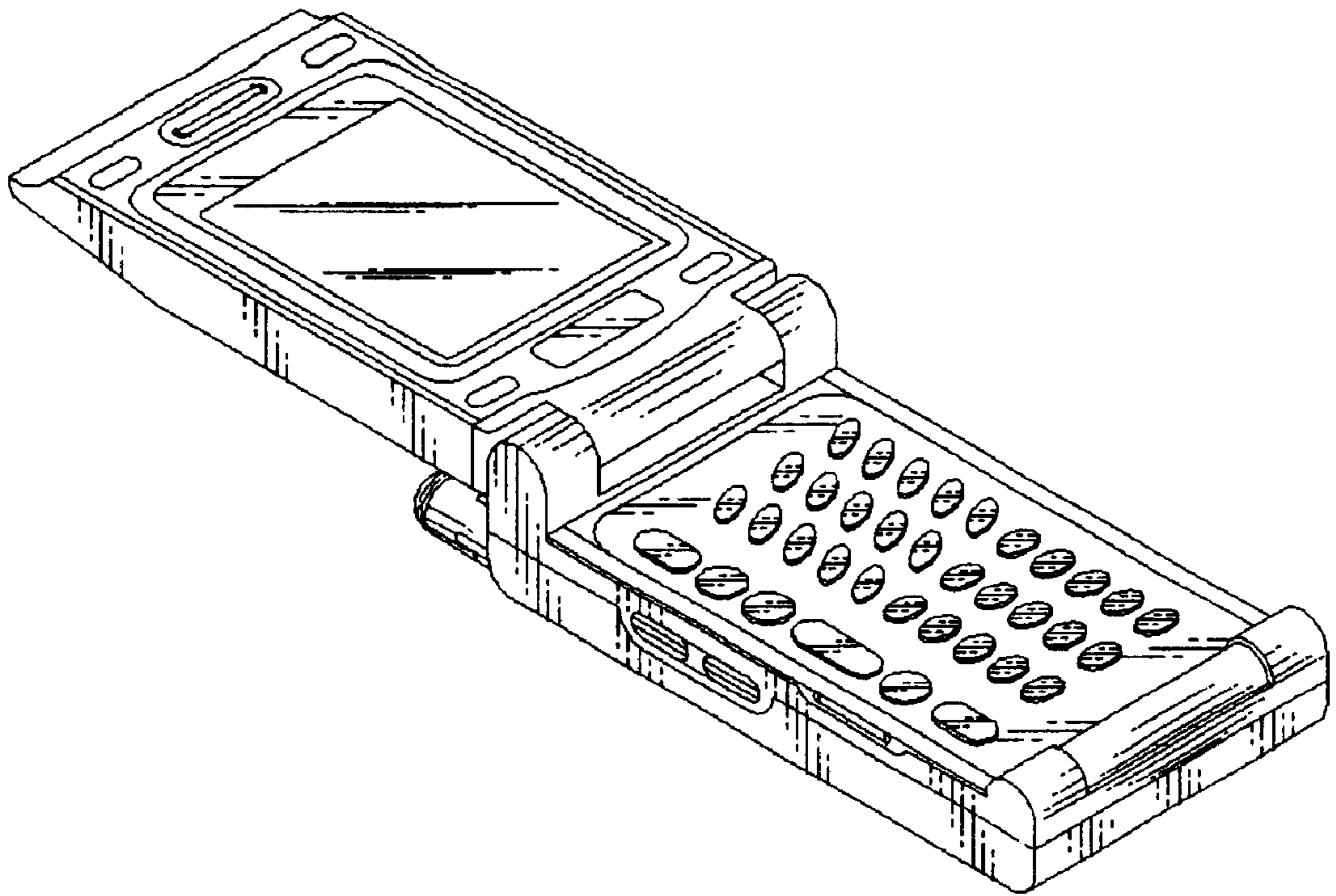


FIG. 12