



US00D722181S

(12) **United States Design Patent**
Green

(10) **Patent No.:** **US D722,181 S**

(45) **Date of Patent:** **** Feb. 3, 2015**

(54) **LADDER**

(71) Applicant: **Lock N Climb, LLC**, Bartlesville, OK
(US)

(72) Inventor: **Jeffrey Alan Green**, Bartlesville, OK
(US)

(73) Assignee: **Lock N Climb, LLC**, Bartlesville, OK
(US)

(**) Term: **14 Years**

(21) Appl. No.: **29/466,540**

(22) Filed: **Sep. 9, 2013**

(51) **LOC (10) Cl.** **25-04**

(52) **U.S. Cl.**

USPC **D25/64**

(58) **Field of Classification Search**

USPC D25/62, 68, 69, 64; 182/156, 152, 162,
182/112, 113, 215, 220, 120, 106, 23, 26,
182/115, 129, 201, 207; 248/210, 238, 236

See application file for complete search history.

(56) **References Cited**

U.S. PATENT DOCUMENTS

202,426 A	4/1878	Evans
281,977 A	7/1886	Coons
475,935 A	5/1892	Crews
515,783 A	3/1894	Moore
799,782 A	9/1905	Ellinger
840,365 A	1/1907	Pease
886,737 A	5/1908	Taylor
1,385,319 A	7/1921	Enke
1,521,814 A	1/1925	Houska
1,811,722 A	6/1931	Kimberlin
1,812,119 A	6/1931	Ruse
2,007,057 A	7/1935	McNeal
2,129,401 A	9/1938	Botinger et al.
2,471,110 A	5/1949	Jenkins
2,574,286 A	11/1951	Rein
2,584,197 A	2/1952	Garner

2,887,260 A	5/1959	McKinnie	
2,934,163 A	4/1960	Ladewski	
3,288,248 A	11/1966	Gurian et al.	
3,374,860 A	3/1968	Stewart	
3,508,628 A	4/1970	Conrad	
3,768,592 A *	10/1973	Higgins	182/22
3,882,966 A	5/1975	Fasano	
3,933,221 A	1/1976	Sorenson	
4,069,893 A	1/1978	Blackstone	

(Continued)

FOREIGN PATENT DOCUMENTS

GB	2099060 A	12/1982
GB	2146688 A	4/1985

(Continued)

OTHER PUBLICATIONS

PCT/US10/29606—International Bureau Preliminary Report on Patentability dated Oct. 31, 2011.

(Continued)

Primary Examiner — Doris Clark

(74) *Attorney, Agent, or Firm* — Michael Stanley Tomsa;
Katten Muchin Rosenman LLP

(57) **CLAIM**

The ornamental design for the ladder, as shown and described.

DESCRIPTION

FIG. 1 is a front perspective view of a ladder of the present invention;

FIG. 2 is a frontal view of the ladder;

FIG. 3 is a rear view of the ladder;

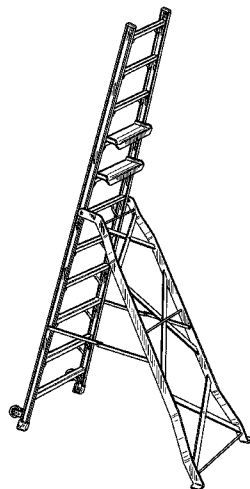
FIG. 4 is a first side view of the ladder;

FIG. 5 is a second side view of the ladder;

FIG. 6 is a bottom view of the ladder; and,

FIG. 7 is a top view of the ladder.

1 Claim, 5 Drawing Sheets



(56)

References Cited

U.S. PATENT DOCUMENTS

4,147,231 A 4/1979 Chantler et al.
 4,207,886 A 6/1980 Sorenson
 4,244,446 A 1/1981 Mair
 4,421,206 A 12/1983 Kummerlin
 4,483,415 A 11/1984 Disston et al.
 4,520,896 A 6/1985 Disston
 4,542,874 A 9/1985 Ronning
 4,565,262 A 1/1986 Hawkins
 4,569,419 A * 2/1986 Stoltz 182/160
 4,669,576 A 6/1987 Jones
 4,723,629 A 2/1988 Vanden Hoek et al.
 4,798,262 A 1/1989 Margolies
 4,807,720 A 2/1989 Kim
 4,899,849 A 2/1990 Levi et al.
 4,949,809 A 8/1990 Levi et al.
 4,971,167 A 11/1990 Winnard
 5,033,584 A 7/1991 Battle
 5,086,876 A 2/1992 Severson
 5,165,501 A 11/1992 Donahey
 5,195,610 A * 3/1993 Chang 182/156
 5,267,631 A 12/1993 Mendel
 5,335,754 A 8/1994 Gibson
 5,341,899 A 8/1994 Casamento
 5,423,397 A 6/1995 Boughner
 5,507,364 A 4/1996 Spevak
 5,522,473 A 6/1996 Moselsky
 5,551,529 A 9/1996 Molitor
 5,590,739 A 1/1997 High et al.
 5,752,581 A * 5/1998 Orchowski 182/165
 D413,681 S 9/1999 Zumwalt
 6,019,191 A 2/2000 Flores
 6,382,353 B2 5/2002 Laug
 6,450,290 B1 9/2002 Spak

6,533,071 B1 3/2003 Smith
 6,595,326 B1 7/2003 Dean
 6,688,426 B1 2/2004 Mikros
 6,948,591 B2 9/2005 Scott et al.
 6,959,785 B1 11/2005 Chilton
 7,017,711 B1 3/2006 Ali
 7,163,084 B1 1/2007 Blehm
 7,293,630 B1 11/2007 Trebec
 D565,745 S 4/2008 Meyers et al.
 D576,290 S * 9/2008 Meyers et al. D25/64
 7,487,859 B2 2/2009 Wang
 8,002,084 B2 8/2011 Huang
 D650,915 S 12/2011 Gross et al.
 8,127,890 B2 3/2012 Meyers et al.
 8,365,865 B2 2/2013 Moss et al.
 8,640,827 B2 2/2014 Breithaupt, Jr.
 2001/0015303 A1 8/2001 Laug
 2006/0272899 A1 12/2006 Chang
 2007/0181370 A1 8/2007 Kemp-Banks
 2008/0000720 A1 1/2008 Porch et al.
 2009/0045013 A1 2/2009 McMurray
 2009/0107765 A1 4/2009 Germond
 2010/0147623 A1 6/2010 Pocos
 2011/0067954 A1 3/2011 Deal

FOREIGN PATENT DOCUMENTS

GB 2166793 A 5/1986
 GB 2218451 A 11/1989

OTHER PUBLICATIONS

PCT/US10/29606—ISR dated May 21, 2010.
 PCT/US11/50882—ISR and Opinion dated Jan. 5, 2012.

* cited by examiner

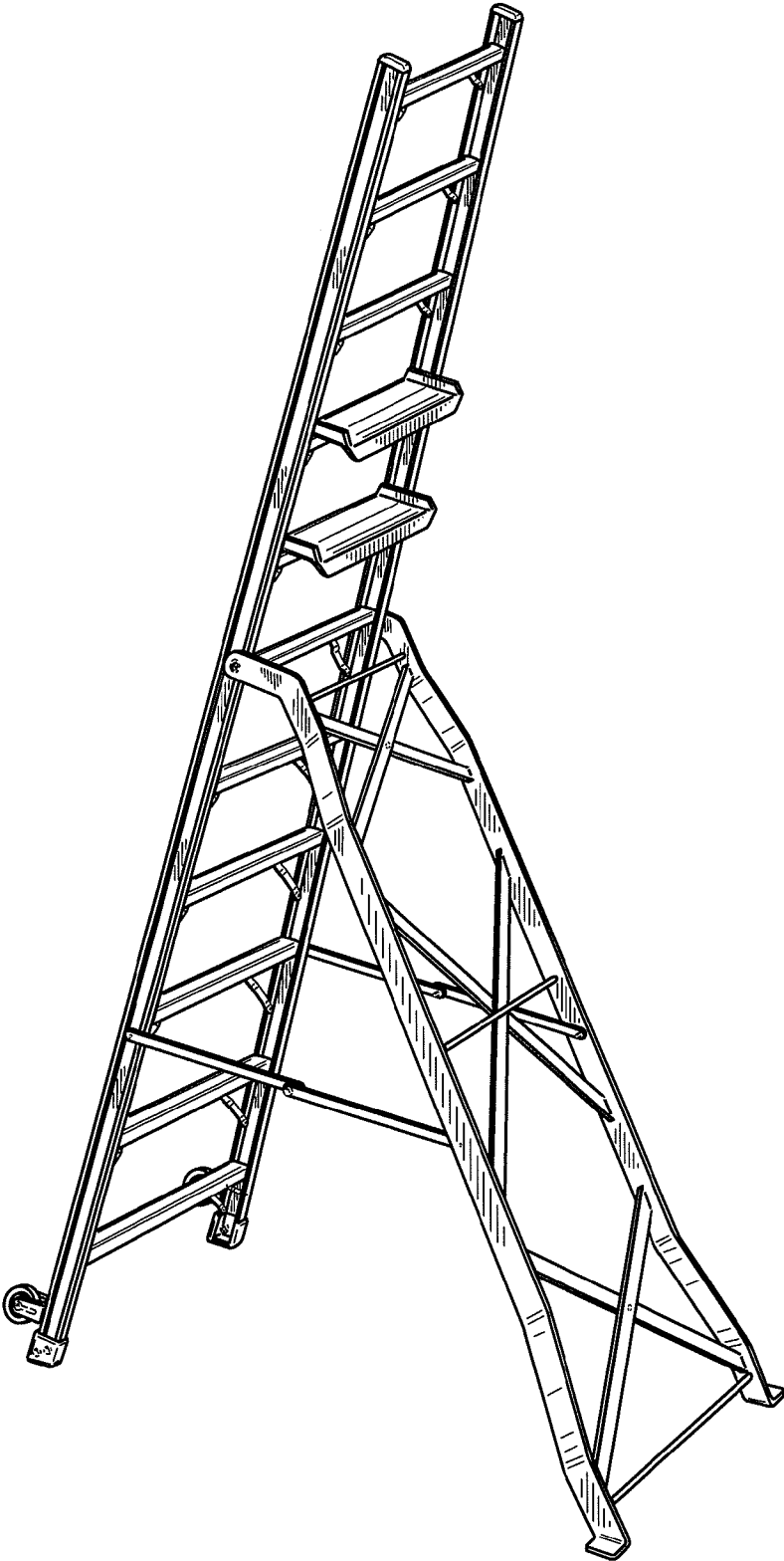


FIG. 1

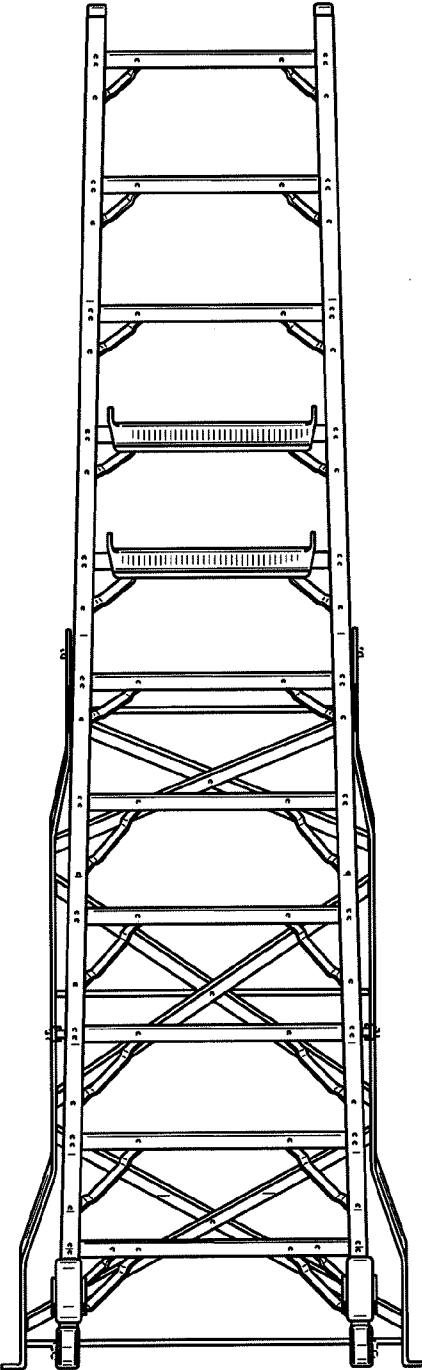


FIG. 2

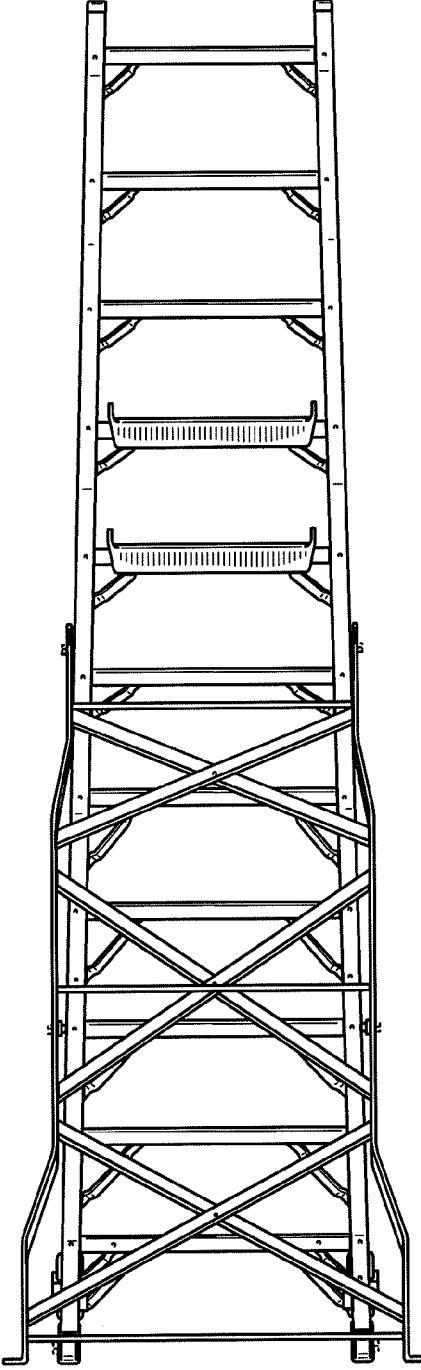


FIG. 3

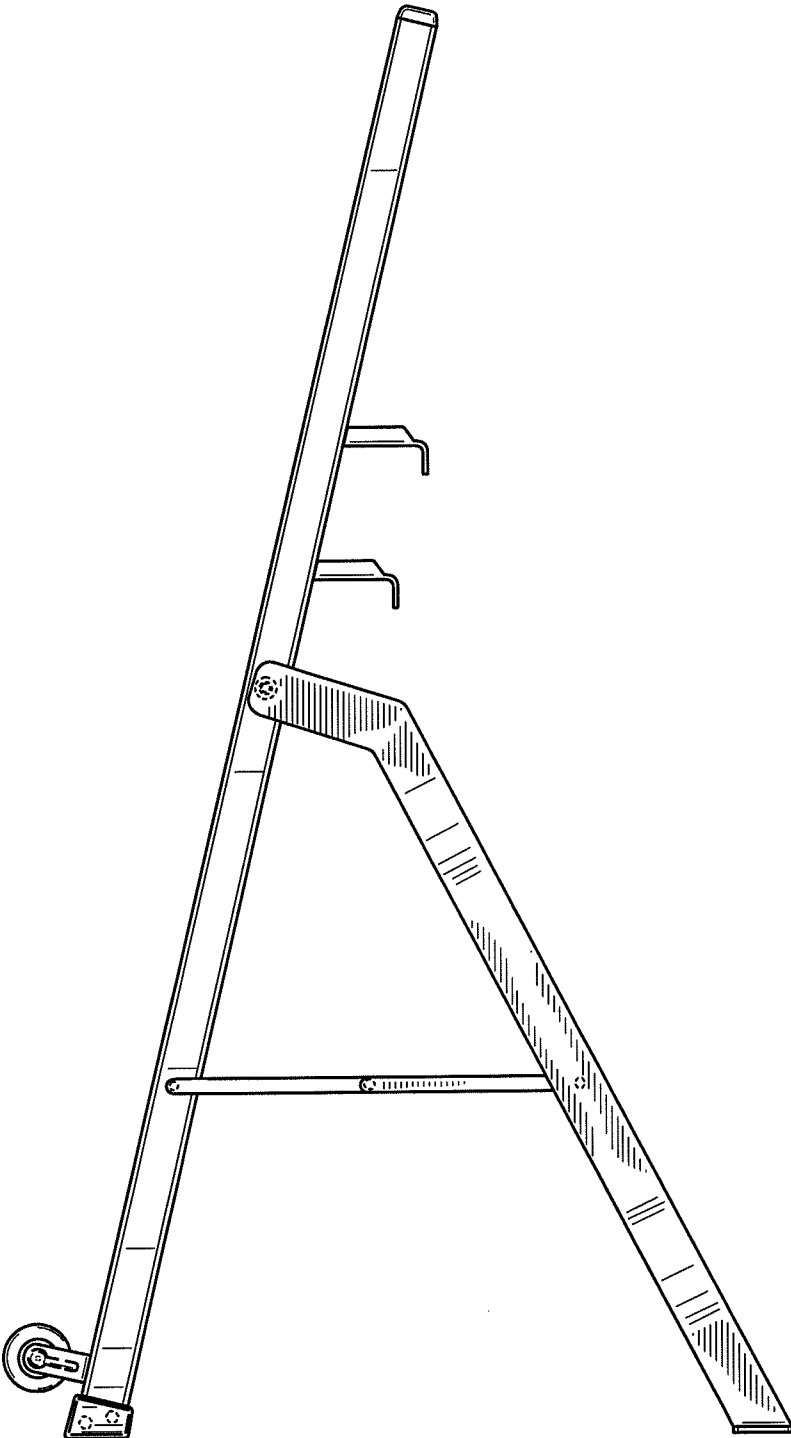


FIG. 4

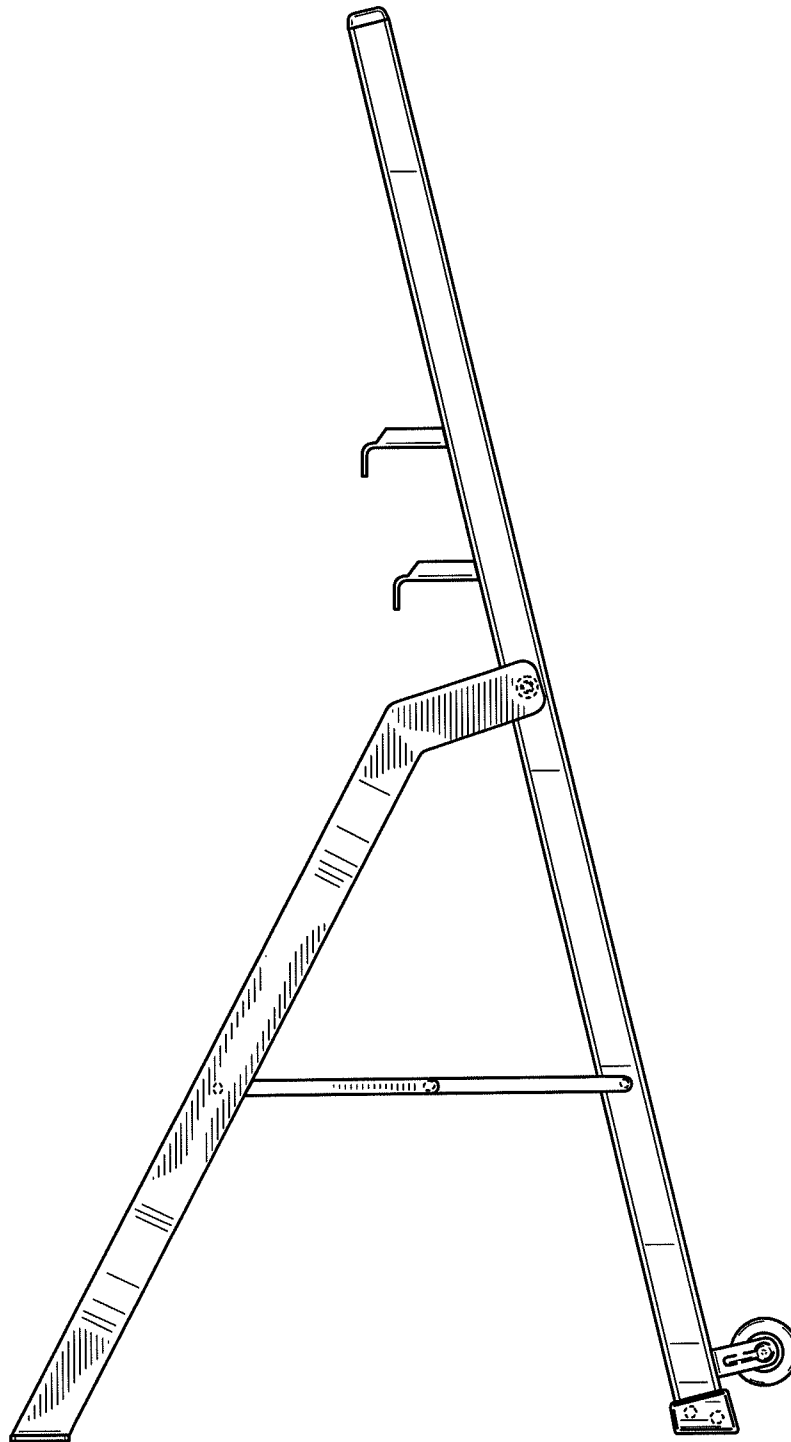


FIG. 5

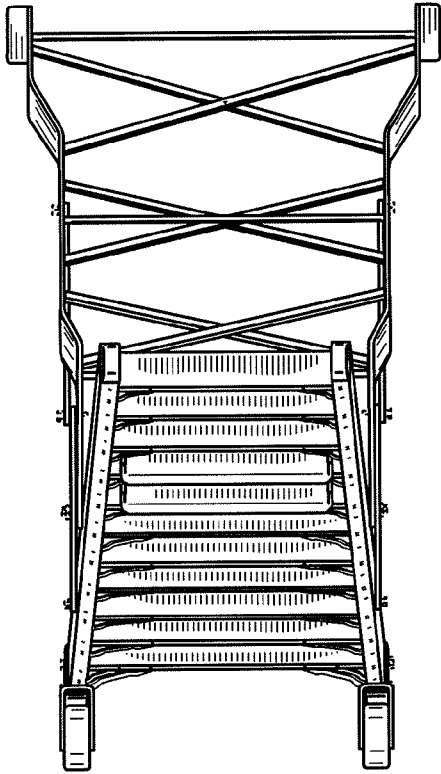


FIG. 6

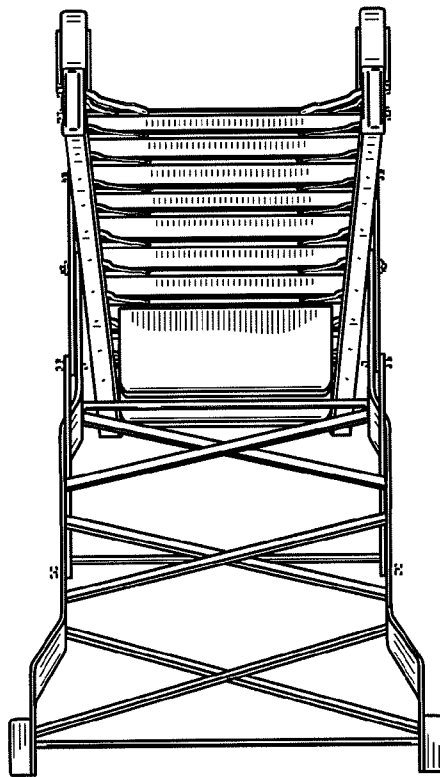


FIG. 7