



US00D886919S

(12) **United States Design Patent**
Gagnon

(10) **Patent No.:** **US D886,919 S**

(45) **Date of Patent:** **** Jun. 9, 2020**

- (54) **EXERCISE BENCH**
- (71) Applicant: **Sean Gagnon**, Chester, NJ (US)
- (72) Inventor: **Sean Gagnon**, Chester, NJ (US)
- (**) Term: **15 Years**
- (21) Appl. No.: **29/637,415**
- (22) Filed: **Feb. 18, 2018**
- (51) **LOC (12) Cl.** **21-02**
- (52) **U.S. Cl.**
USPC **D21/686**
- (58) **Field of Classification Search**
USPC D21/662, 665, 666, 686-690, 696, 811,
D21/814, 817, 818, 826-828; 482/92, 98,
482/101, 117, 123, 135, 146, 148
CPC A63B 23/0211; A63B 2208/0233; A63B
2208/0228; A63B 21/00047; A63G 31/00;
A63G 31/10; A63G 31/14; A63G 31/02;
A63G 25/00; A63G 2031/002; A63G
2031/005
See application file for complete search history.

D741,421 S *	10/2015	Ho	D21/687
D776,768 S *	1/2017	Ho	D21/687
D779,588 S *	2/2017	Chuang	D21/687
9,669,278 B1 *	6/2017	Brown	A63B 69/004
D806,809 S *	1/2018	Orellana	D21/687
D820,362 S *	6/2018	Citterio	D21/687
10,391,353 B2 *	8/2019	McBride	A63B 23/0205
2003/0130100 A1 *	7/2003	Perez	A63B 21/068 482/140
2017/0014681 A1 *	1/2017	Doherty	A63B 23/1236

* cited by examiner

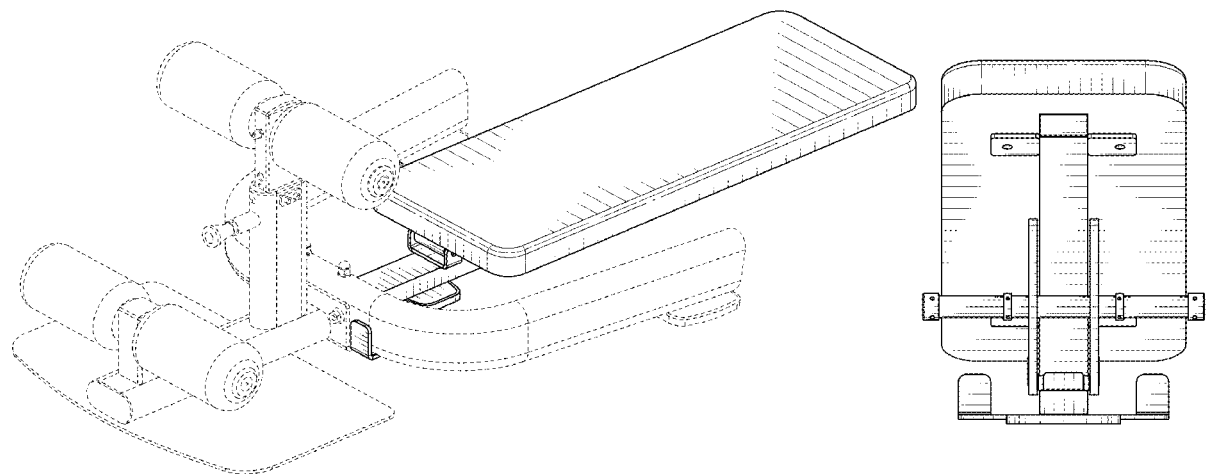
Primary Examiner — Shannon W Morgan
Assistant Examiner — Keith Frank
 (74) *Attorney, Agent, or Firm* — QuickPatents, Inc.;
 Kevin Prince

(57) **CLAIM**
 The ornamental design for an exercise bench, as shown and described.

DESCRIPTION
 FIG. 1 is a front perspective view of an exercise bench, showing my new design in a lowered position;
 FIG. 2 is a rear perspective view thereof, illustrated in a raised position;
 FIG. 3 is a front elevational view of FIG. 2;
 FIG. 4 is a rear elevational view of FIG. 2;
 FIG. 5 is a right-side elevational view of FIG. 2;
 FIG. 6 is a left-side elevational view of FIG. 2;
 FIG. 7 is a top plan view of FIG. 2; and,
 FIG. 8 is a bottom plan view of FIG. 2.
 The broken lines in the drawings showing the exercise bench illustrate the portions of the exercise bench that form no part of the claimed design.

1 Claim, 7 Drawing Sheets

- (56) **References Cited**
 U.S. PATENT DOCUMENTS
 D406,290 S * 3/1999 McBride D21/676
 D476,384 S * 6/2003 Perez D21/687
 D541,357 S * 4/2007 Webber D21/690
 D541,893 S * 5/2007 Webber D21/690
 D542,868 S * 5/2007 Webber D21/690
 D582,495 S * 12/2008 Lindblad D21/690
 D627,014 S * 11/2010 Gustin D21/687
 D641,434 S * 7/2011 Khubani D21/676
 D643,076 S * 8/2011 Khoury D21/662
 D647,151 S * 10/2011 Van Straaten D21/676
 D740,380 S * 10/2015 Sorensen, II D21/687



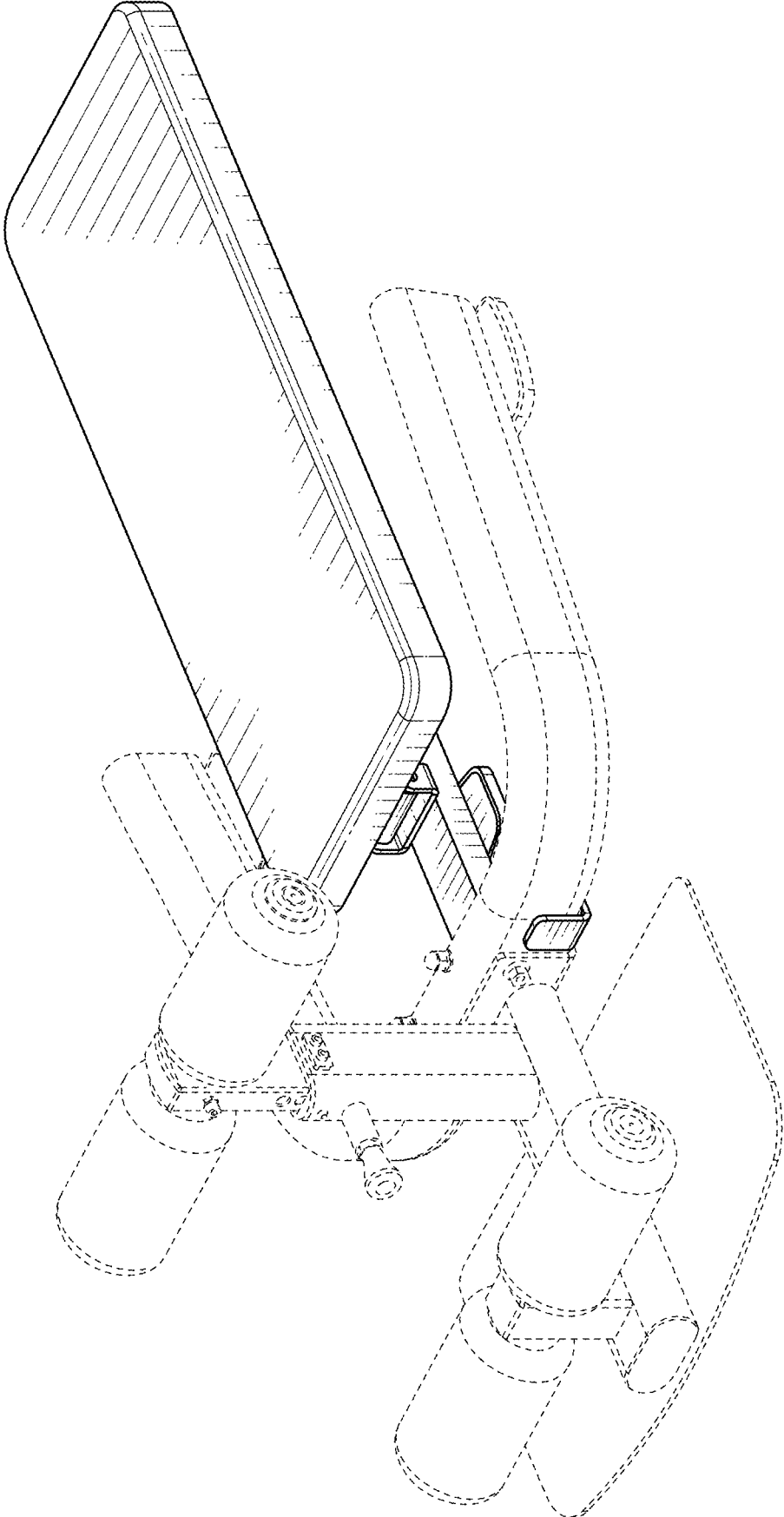


FIG. 1

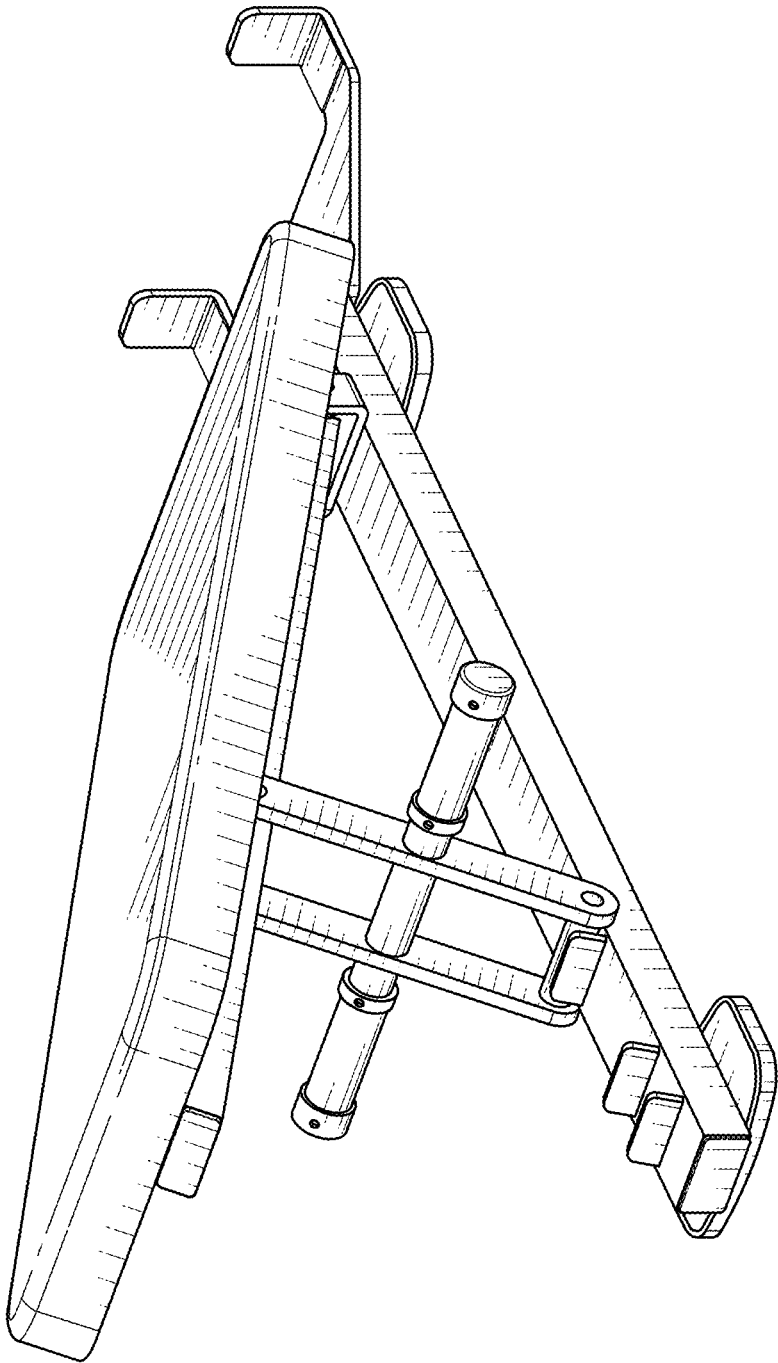


FIG. 2

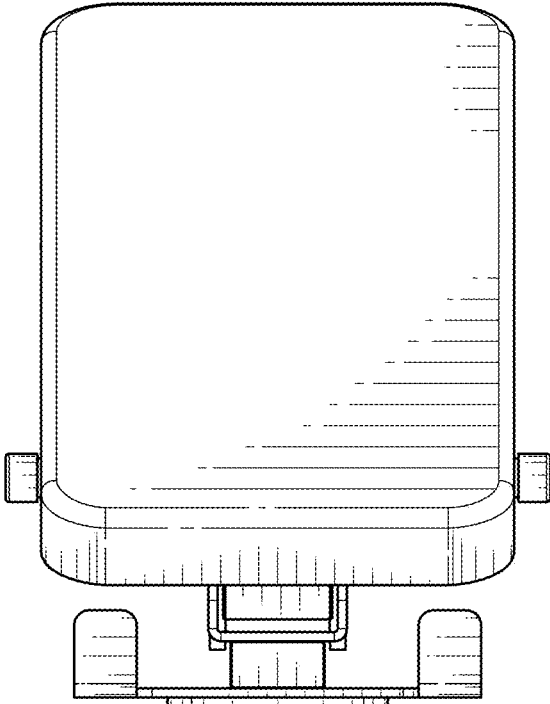


FIG. 3

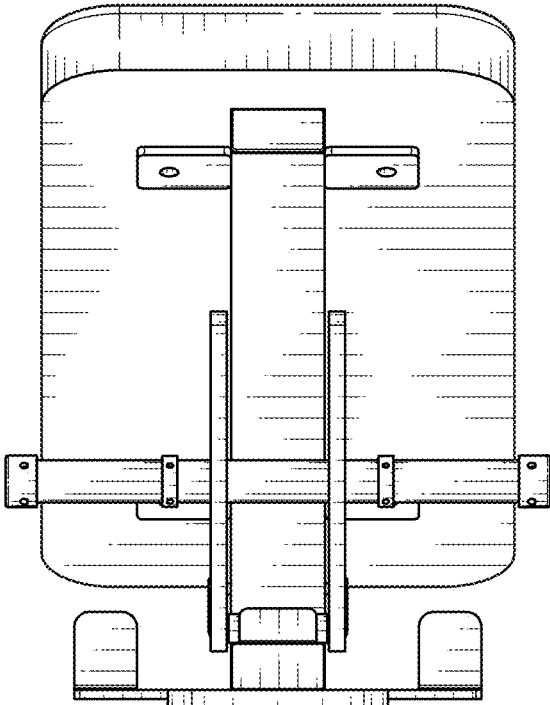


FIG. 4

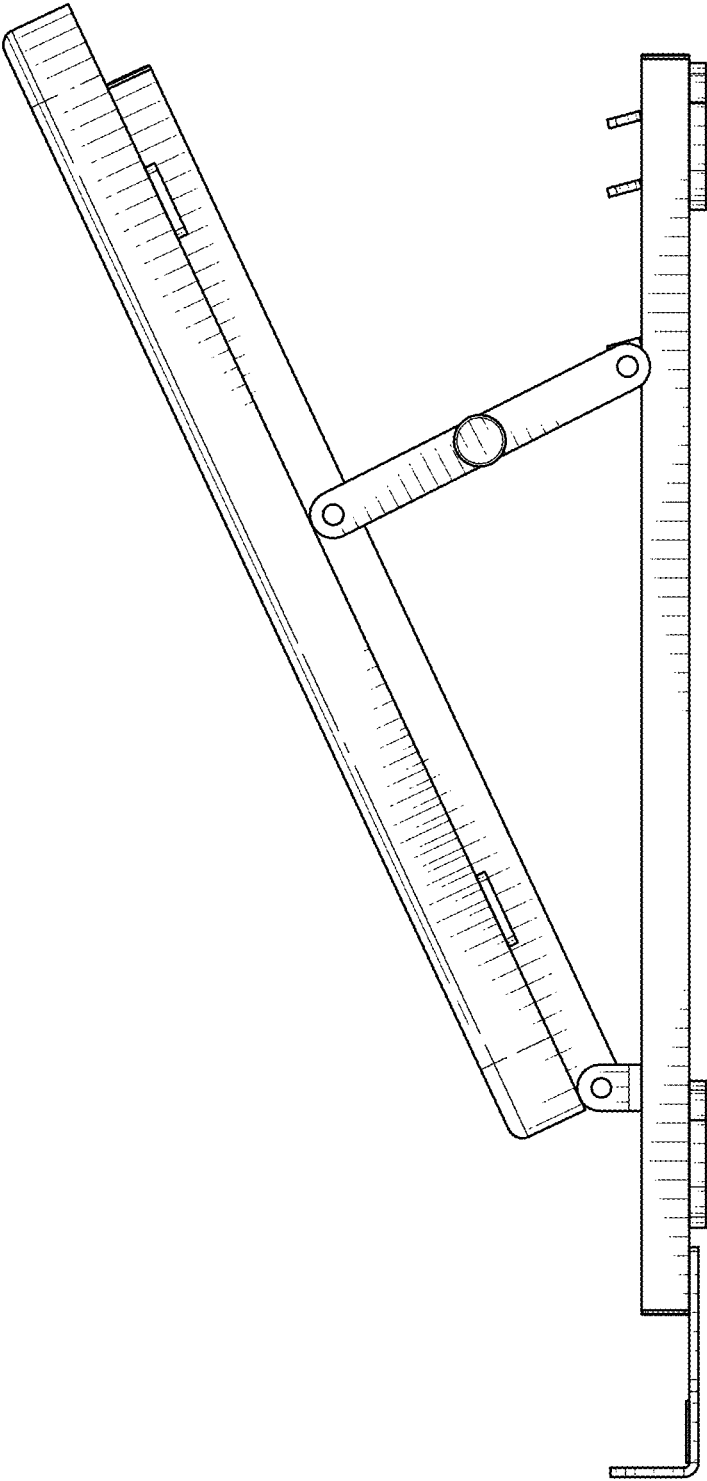


FIG. 5

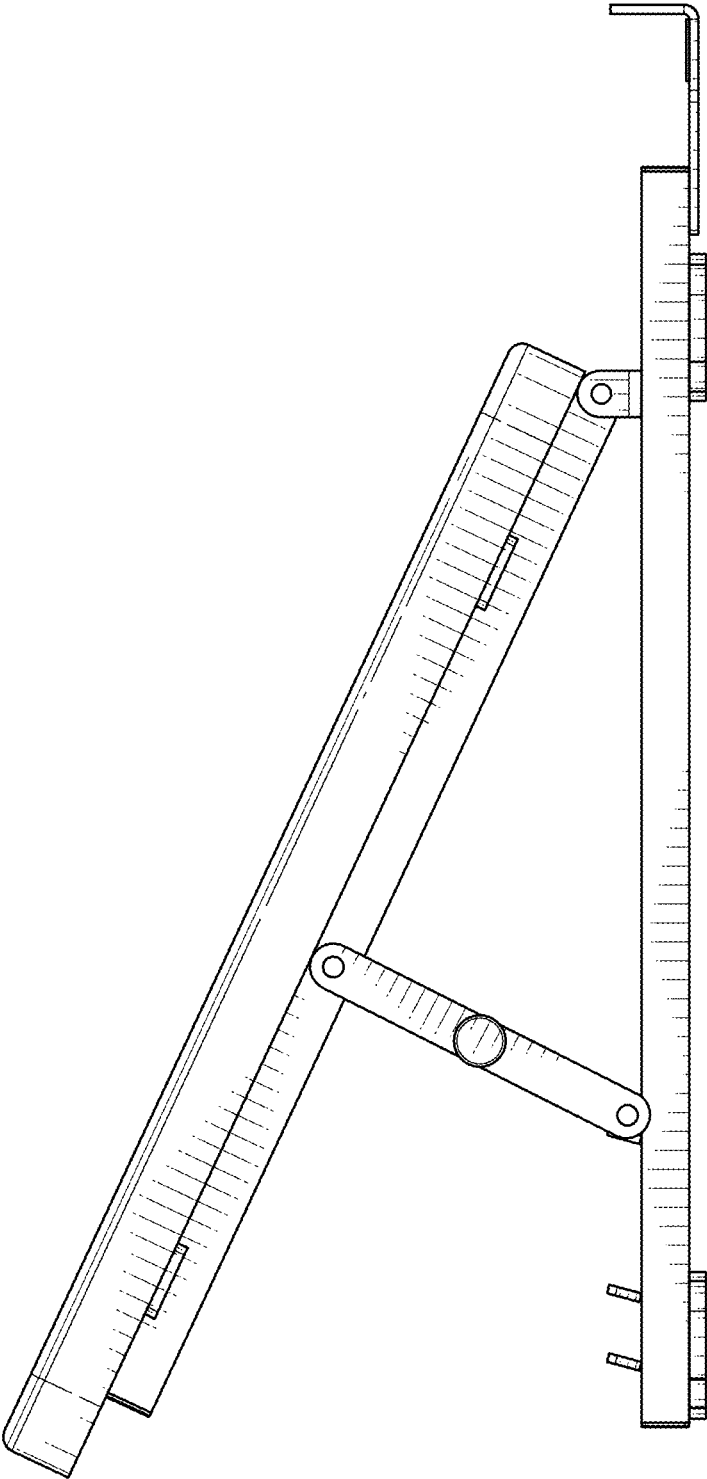


FIG. 6

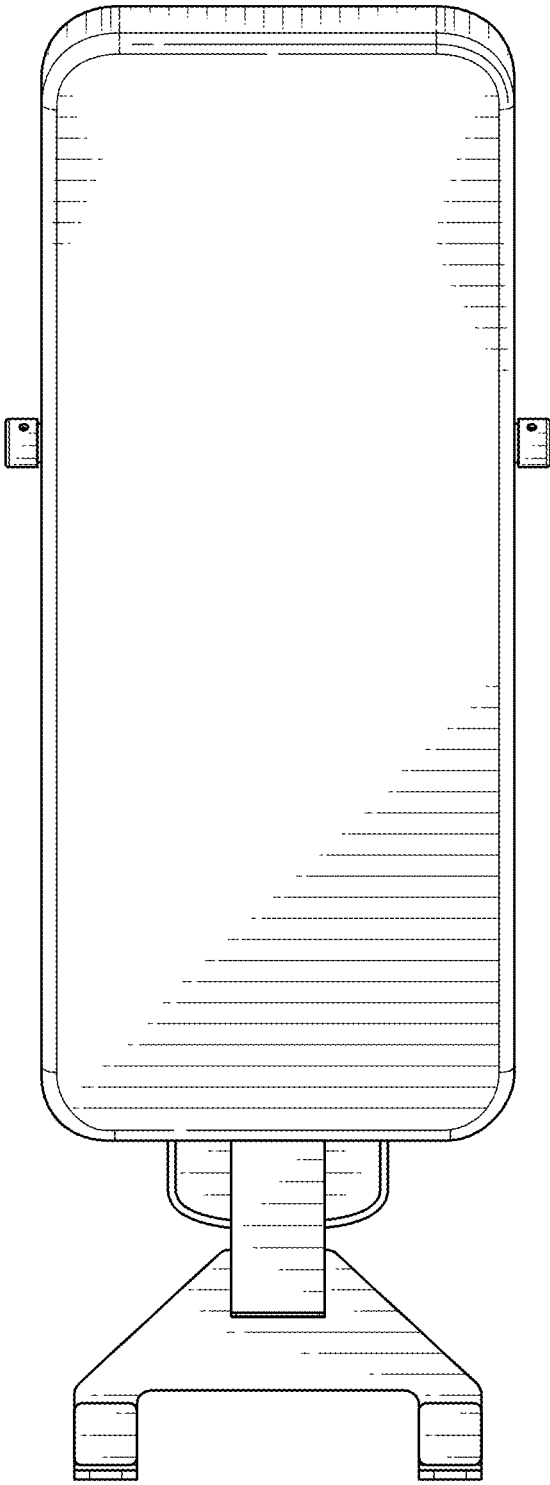


FIG. 7

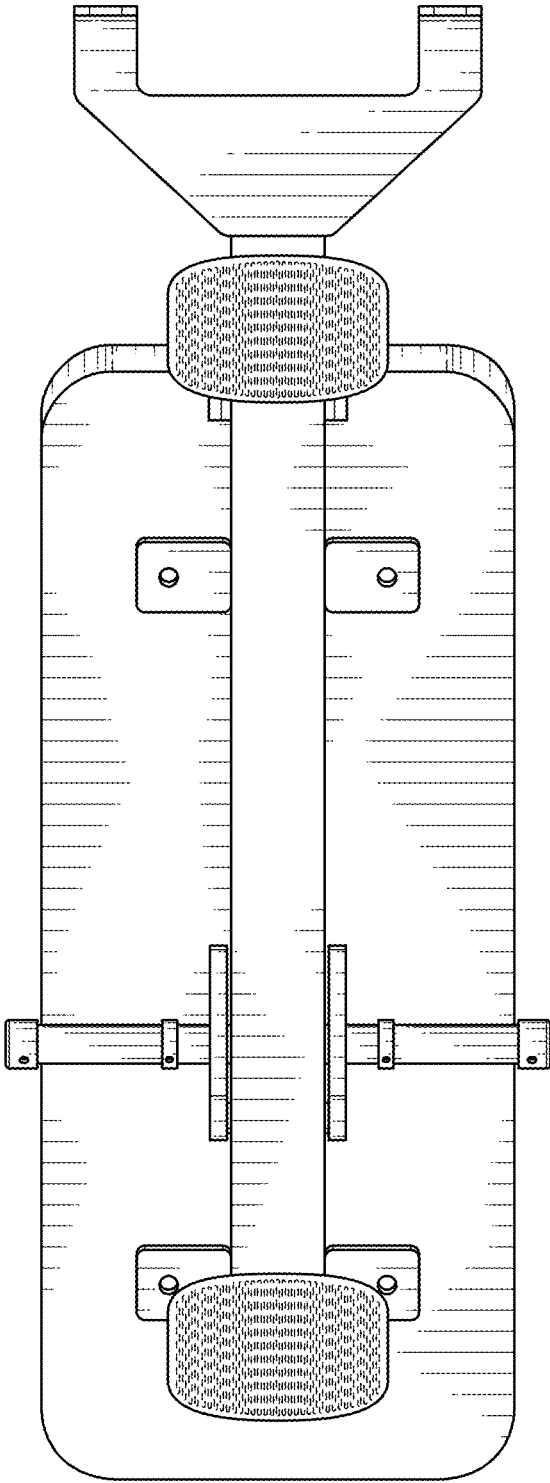


FIG. 8