



US00D554209S

(12) **United States Design Patent**
Loucks

(10) **Patent No.:** **US D554,209 S**

(45) **Date of Patent:** **** Oct. 30, 2007**

(54) **CHIN UP BAR ASSEMBLY FOR AN EXERCISE APPARATUS**

(75) Inventor: **Zachary Jason Loucks**, Mount Pleasant, MI (US)

(73) Assignee: **Rogers Athletic Company**, Clare, MI (US)

(**) Term: **14 Years**

(21) Appl. No.: **29/251,241**

(22) Filed: **Jan. 5, 2006**

(51) **LOC (8) CL.** **21-02**

(52) **U.S. CL.** **D21/694; D21/691**

(58) **Field of Classification Search** D21/662, D21/674, 675, 676, 686, 691, 694; 482/95, 482/96, 97, 104, 129, 130, 136, 137, 138, 482/133, 98, 142, 38, 39, 91

See application file for complete search history.

(56) **References Cited**

U.S. PATENT DOCUMENTS

D267,419	S	*	12/1982	Komarnicki	D21/691
4,620,701	A	*	11/1986	Mojden	482/41
4,781,374	A	*	11/1988	Lederman	482/103
4,861,024	A		8/1989	Lee		
5,011,139	A	*	4/1991	Towley, III	482/38
5,215,510	A		6/1993	Baran		
D339,835	S	*	9/1993	Hsieh	D21/691
5,372,556	A	*	12/1994	Ropp	482/41
5,407,404	A	*	4/1995	Killian et al.	482/38

D372,059	S	*	7/1996	Taylor	D21/691
5,669,859	A		9/1997	Liggett et al.		
D444,827	S		7/2001	Mobley		
6,605,023	B1		8/2003	Mobley		
6,623,407	B2		9/2003	Novak et al.		
6,623,409	B1		9/2003	Abelbeck		
6,669,607	B2		12/2003	Slawinski et al.		

* cited by examiner

Primary Examiner—Philip S. Hyder

(74) *Attorney, Agent, or Firm*—Carlson, Gaskey & Olds

(57) **CLAIM**

I claim the ornamental design for a chin up bar assembly for an exercise apparatus, as shown and described.

DESCRIPTION

FIG. 1 is a perspective view of the chin up bar assembly for an exercise apparatus showing my new design;

FIG. 2 is an enlarged perspective view of the chin up bar assembly of FIG. 1;

FIG. 3 is a top view of the chin up bar assembly;

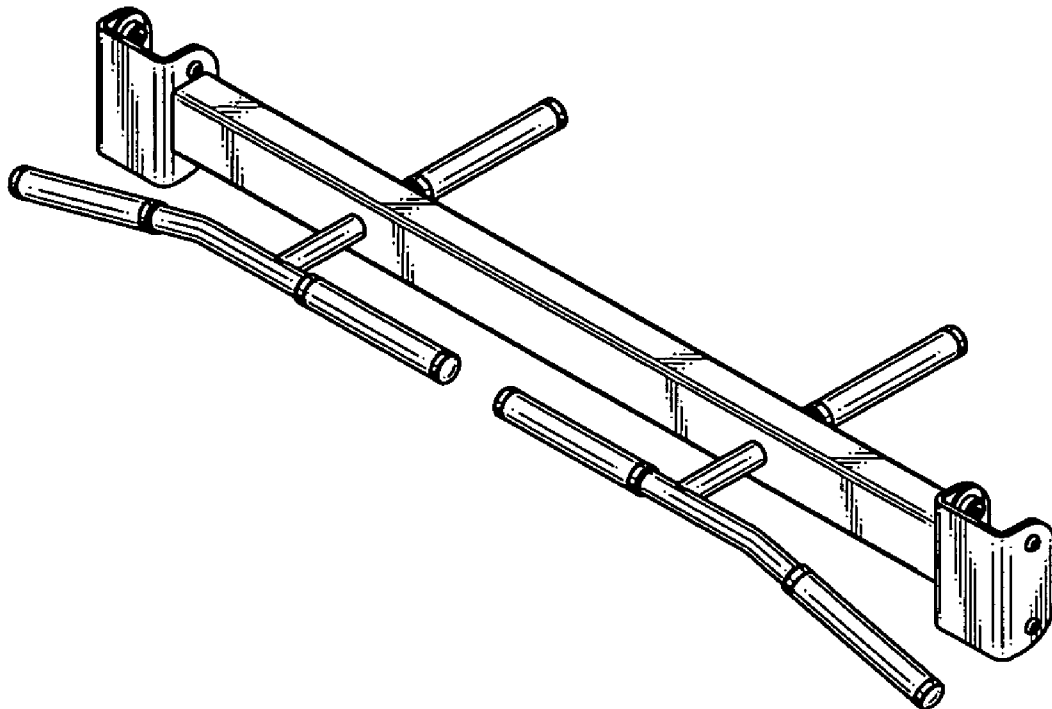
FIG. 4 is a rear view of the chin up bar assembly;

FIG. 5 is a front view of the chin up bar assembly; and,

FIG. 6 is a side view of the chin up bar assembly.

The broken line showing of the exercise apparatus in FIG. 1 is included for the purpose of illustrating environmental structure and forms no part of the claimed design.

1 Claim, 2 Drawing Sheets



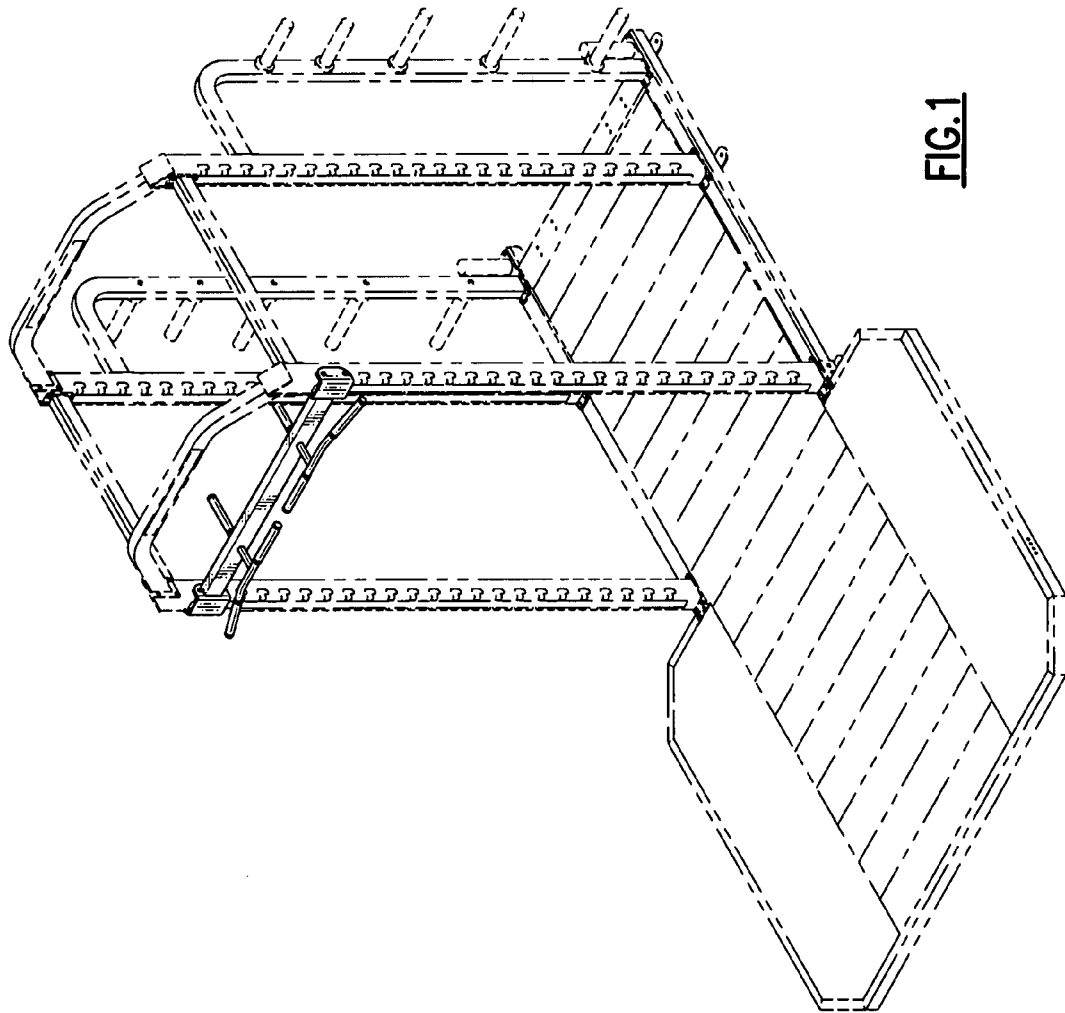


FIG. 1

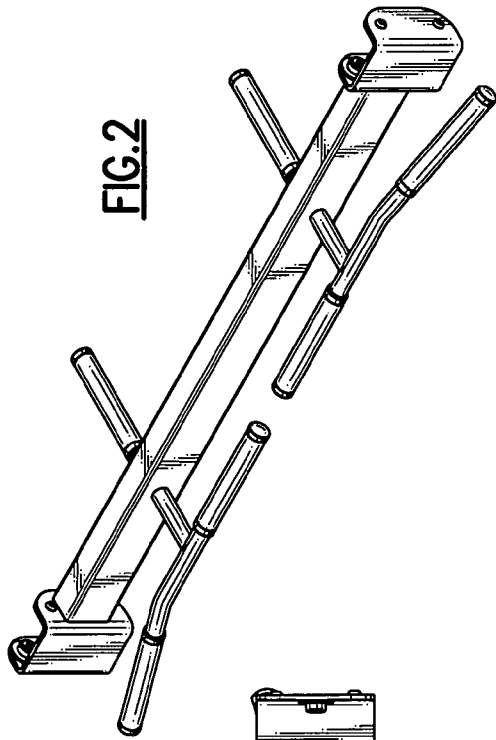


FIG. 2

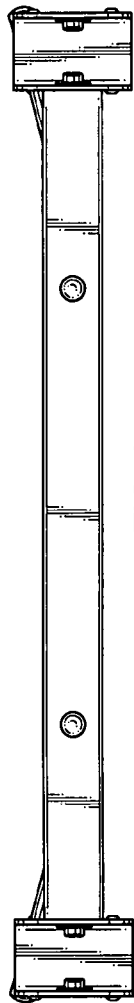


FIG. 4

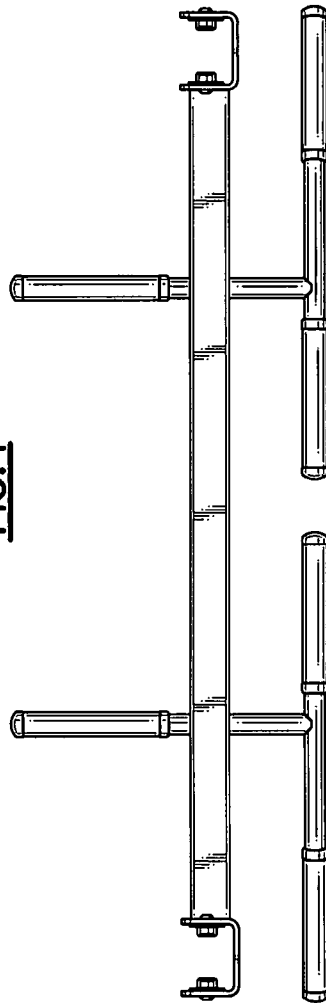


FIG. 3

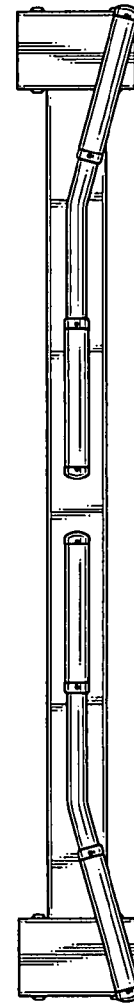


FIG. 5

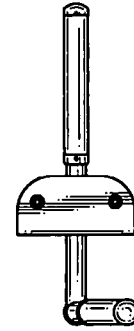


FIG. 6

UNITED STATES PATENT AND TRADEMARK OFFICE
CERTIFICATE OF CORRECTION

PATENT NO. : Des. 554,209 S
APPLICATION NO. : 29/251241
DATED : October 30, 2007
INVENTOR(S) : Loucks

Page 1 of 1

It is certified that error appears in the above-identified patent and that said Letters Patent is hereby corrected as shown below:

ON THE TITLE PAGE:

In the Description, Line 1: "the" should read as --a--

Signed and Sealed this

Twenty-fifth Day of March, 2008

A handwritten signature in black ink that reads "Jon W. Dudas". The signature is written in a cursive style with a large, looping initial "J".

JON W. DUDAS
Director of the United States Patent and Trademark Office