



- (51) **International Patent Classification:**  
B27D 5/00 (2006.01) B23Q 7/04 (2006.01)  
B23Q 7/00 (2006.01)
- (21) **International Application Number:**  
PCT/IB2012/050980
- (22) **International Filing Date:**  
1 March 2012 (01.03.2012)
- (25) **Filing Language:** Italian
- (26) **Publication Language:** English
- (30) **Priority Data:**  
BO2011A000096 1 March 2011 (01.03.2011) IT
- (71) **Applicant (for all designated States except US):** BIESSE S.P.A. [IT/IT]; Via della Meccanica, 16, Pesaro (IT).
- (72) **Inventor; and**
- (75) **Inventor/Applicant (for US only):** BERNARDI, Paolo [IT/IT]; Via Renzi, 22, I-47841 Cattolica (IT).
- (74) **Agents:** JORIO, Paolo et al.; Studio Torta S.p.A., Via Viotti, 9, I-10121 Torino (IT).
- (81) **Designated States (unless otherwise indicated, for every kind of national protection available):** AE, AG, AL, AM, AO, AT, AU, AZ, BA, BB, BG, BH, BR, BW, BY, BZ, CA, CH, CL, CN, CO, CR, CU, CZ, DE, DK, DM, DO,

DZ, EC, EE, EG, ES, FI, GB, GD, GE, GH, GM, GT, HN, HR, HU, ID, IL, IN, IS, JP, KE, KG, KM, KN, KP, KR, KZ, LA, LC, LK, LR, LS, LT, LU, LY, MA, MD, ME, MG, MK, MN, MW, MX, MY, MZ, NA, NG, NI, NO, NZ, OM, PE, PG, PH, PL, PT, QA, RO, RS, RU, RW, SC, SD, SE, SG, SK, SL, SM, ST, SV, SY, TH, TJ, TM, TN, TR, TT, TZ, UA, UG, US, UZ, VC, VN, ZA, ZM, ZW.

(84) **Designated States (unless otherwise indicated, for every kind of regional protection available):** ARIPO (BW, GH, GM, KE, LR, LS, MW, MZ, NA, RW, SD, SL, SZ, TZ, UG, ZM, ZW), Eurasian (AM, AZ, BY, KG, KZ, MD, RU, TJ, TM), European (AL, AT, BE, BG, CH, CY, CZ, DE, DK, EE, ES, FI, FR, GB, GR, HR, HU, IE, IS, IT, LT, LU, LV, MC, MK, MT, NL, NO, PL, PT, RO, RS, SE, SI, SK, SM, TR), OAPI (BF, BJ, CF, CG, CI, CM, GA, GN, GQ, GW, ML, MR, NE, SN, TD, TG).

**Published:**

- with international search report (Art. 21(3))
- before the expiration of the time limit for amending the claims and to be republished in the event of receipt of amendments (Rule 48.2(h))

(88) **Date of publication of the international search report:**  
20 December 2012

(54) **Title:** METHOD AND MACHINE FOR PROCESSING WOODEN PANELS OR PANELS OF SIMILAR MATERIALS

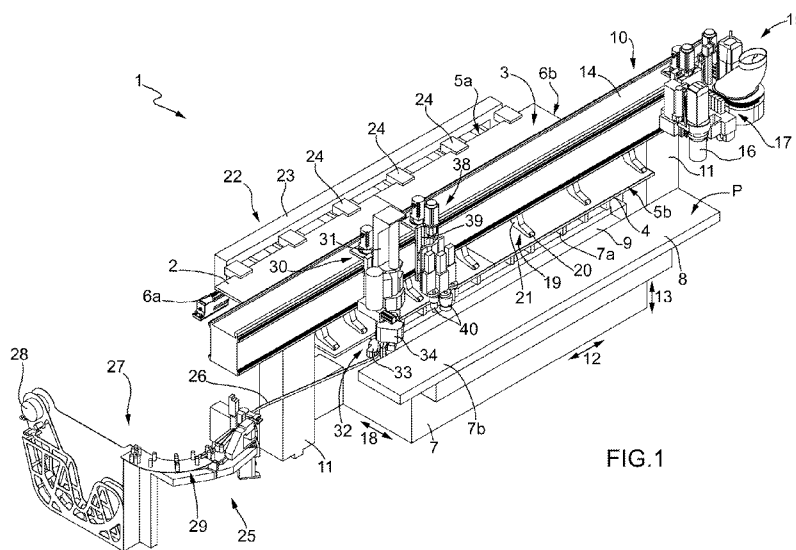


FIG. 1

(57) **Abstract:** Method and machine for processing wood panels (2; 41) or alike, according to which a panel (2; 41) is held in correspondence to a first portion (5a; 44a) of a lateral contour (4; 43) thereof by a grip and transport device (22), and is edgebanded in correspondence to a second portion (5b, 6a; 44b, 44c) of the lateral contour (4; 43) thereof by combining the movements of the panel (2; 41) in a first direction (18) with the movements of an edgebanding device (32) in a second direction (12) transverse to the first direction (18) and around a rotation axis orthogonal to the first and the second direction (18, 12) and without ever releasing the panel (2; 41) from the grip and transport device (22).



# INTERNATIONAL SEARCH REPORT

International application No <b>PCT/IB2012/050980</b>
--

<b>A. CLASSIFICATION OF SUBJECT MATTER</b> INV. B27D5/00      B23Q7/00      B23Q7/04 ADD.		
According to International Patent Classification (IPC) or to both national classification and IPC		
<b>B. FIELDS SEARCHED</b>		
Minimum documentation searched (classification system followed by classification symbols) B27D B23Q		
Documentation searched other than minimum documentation to the extent that such documents are included in the fields searched		
Electronic data base consulted during the international search (name of data base and, where practicable, search terms used) EPO-Internal, WPI Data		
<b>C. DOCUMENTS CONSIDERED TO BE RELEVANT</b>		
Category*	Citation of document, with indication, where appropriate, of the relevant passages	Relevant to claim No.
X, P	EP 2 353 815 A1 (ESSETRE HOLDING SPA [IT]) 10 August 2011 (2011-08-10) abstract paragraph [0025] paragraph [0029] paragraph [0030] figures	1
X	----- EP 2 181 799 A1 (BORTOLINI ENGINEERING S N C [IT]) 5 May 2010 (2010-05-05)	9-16
Y	abstract paragraph [0014] paragraph [0016] - paragraph [0017] paragraph [0021] - paragraph [0022] ----- -/--	1-8
<input checked="" type="checkbox"/> Further documents are listed in the continuation of Box C. <input checked="" type="checkbox"/> See patent family annex.		
* Special categories of cited documents :		
"A" document defining the general state of the art which is not considered to be of particular relevance	"T" later document published after the international filing date or priority date and not in conflict with the application but cited to understand the principle or theory underlying the invention	
"E" earlier application or patent but published on or after the international filing date	"X" document of particular relevance; the claimed invention cannot be considered novel or cannot be considered to involve an inventive step when the document is taken alone	
"L" document which may throw doubts on priority claim(s) or which is cited to establish the publication date of another citation or other special reason (as specified)	"Y" document of particular relevance; the claimed invention cannot be considered to involve an inventive step when the document is combined with one or more other such documents, such combination being obvious to a person skilled in the art	
"O" document referring to an oral disclosure, use, exhibition or other means	"&" document member of the same patent family	
"P" document published prior to the international filing date but later than the priority date claimed		
Date of the actual completion of the international search	Date of mailing of the international search report	
22 October 2012	29/10/2012	
Name and mailing address of the ISA/ European Patent Office, P.B. 5818 Patentlaan 2 NL - 2280 HV Rijswijk Tel. (+31-70) 340-2040, Fax: (+31-70) 340-3016	Authorized officer  Hamel, Pascal	

## INTERNATIONAL SEARCH REPORT

International application No  
PCT/IB2012/050980

C(Continuation). DOCUMENTS CONSIDERED TO BE RELEVANT		
Category*	Citation of document, with indication, where appropriate, of the relevant passages	Relevant to claim No.
Y	GB 1 249 097 A (BRANDT HEINRICH [DE]) 6 October 1971 (1971-10-06) page 1, line 74 - page 1, line 88 figure 1 -----	1-8
A	EP 2 127 832 A1 (HOMAG HOLZBEARBEITUNGSSYSTEME [DE]) 2 December 2009 (2009-12-02) figures -----	3
A	EP 2 243 607 A1 (BIESSE SPA [IT]) 27 October 2010 (2010-10-27) paragraph [0024] paragraph [0028] -----	5,11,12

# INTERNATIONAL SEARCH REPORT

Information on patent family members

International application No PCT/IB2012/050980
---

Patent document cited in search report	Publication date	Patent family member(s)	Publication date
EP 2353815	A1	10-08-2011	NONE
EP 2181799	A1	05-05-2010	NONE
GB 1249097	A	06-10-1971	DE 1914403 A1 08-10-1970 GB 1249097 A 06-10-1971 NL 7004065 A 23-09-1970
EP 2127832	A1	02-12-2009	EP 2127832 A1 02-12-2009 ES 2354394 T3 14-03-2011
EP 2243607	A1	27-10-2010	NONE