

(19) World Intellectual Property Organization  
International Bureau



(43) International Publication Date  
26 January 2012 (26.01.2012)

(10) International Publication Number  
**WO 2012/012160 A3**

(51) International Patent Classification:  
*E21C 25/10* (2006.01) *E21C 35/18* (2006.01)  
*E21C 25/16* (2006.01)

dall, S. [US/US]; 9429 Nason Court NE, Otsego, MN 55330 (US).

(21) International Application Number:  
PCT/US2011/042308

(74) Agents: MYERS, Carl, E. et al.; 100 N. E. Adams Street, Peoria, IL 61629-9510 (US).

(22) International Filing Date:  
29 June 2011 (29.06.2011)

(81) Designated States (unless otherwise indicated, for every kind of national protection available): AE, AG, AL, AM, AO, AT, AU, AZ, BA, BB, BG, BH, BR, BW, BY, BZ, CA, CH, CL, CN, CO, CR, CU, CZ, DE, DK, DM, DO, DZ, EC, EE, EG, ES, FI, GB, GD, GE, GH, GM, GT, HN, HR, HU, ID, IL, IN, IS, JP, KE, KG, KM, KN, KP, KR, KZ, LA, LC, LK, LR, LS, LT, LU, LY, MA, MD, ME, MG, MK, MN, MW, MX, MY, MZ, NA, NG, NI, NO, NZ, OM, PE, PG, PH, PL, PT, RO, RS, RU, SC, SD, SE, SG, SK, SL, SM, ST, SV, SY, TH, TJ, TM, TN, TR, TT, TZ, UA, UG, US, UZ, VC, VN, ZA, ZM, ZW.

(25) Filing Language: English

(26) Publication Language: English

(30) Priority Data:  
12/828,194 30 June 2010 (30.06.2010) US

(71) Applicant (for all designated States except US):  
**CATERPILLAR PAVING PRODUCTS INC.**  
[US/US]; 9401 85th Avenue North, Brooklyn Park, MN 55445-2199 (US).

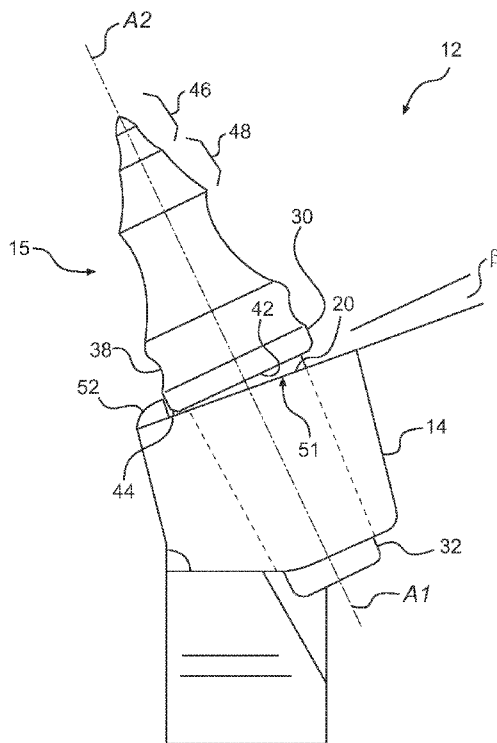
(72) Inventors; and

(75) Inventors/Applicants (for US only): **DUBAY, Gregory, H.** [US/US]; 24630 114th Street, Zimmerman, MN 55398 (US). **INGALL, Kevin, W.** [US/US]; 18401 99th Place North, Maple Grove, MN 55311 (US). **KESSLER, Ran-**

(84) Designated States (unless otherwise indicated, for every kind of regional protection available): ARIPO (BW, GH, GM, KE, LR, LS, MW, MZ, NA, SD, SL, SZ, TZ, UG, ZM, ZW), Eurasian (AM, AZ, BY, KG, KZ, MD, RU, TJ, TM), European (AL, AT, BE, BG, CH, CY, CZ, DE, DK, EE, ES, FI, FR, GB, GR, HR, HU, IE, IS, IT, LT, LU, LV, MC, MK, MT, NL, NO, PL, PT, RO, RS, SE, SI, SK,

[Continued on next page]

(54) Title: CUTTER ASSEMBLY CONFIGURED TO ALLOW TOOL ROTATION



**FIG. 3**

(57) Abstract: A base block for a cutting drum is disclosed. The base block may have a first end. The first end may have an opening configured to receive a tool. The first end may also have a flat surface surrounding the opening. The base block may have a second end configured to abut the cutting drum. The base block may further have an internal passageway commencing at the opening configured to receive the tool. The passageway may define a longitudinal axis that is offset by an acute angle from being perpendicular to the flat surface.



WO 2012/012160 A3



SM, TR), OAPI (BF, BJ, CF, CG, CI, CM, GA, GN, GQ,  
GW, ML, MR, NE, SN, TD, TG).

— *before the expiration of the time limit for amending the  
claims and to be republished in the event of receipt of  
amendments (Rule 48.2(h))*

**Published:**

— *with international search report (Art. 21(3))*

**(88) Date of publication of the international search report:**

12 April 2012

**A. CLASSIFICATION OF SUBJECT MATTER***E21C 25/10(2006.01)i, E21C 25/16(2006.01)i, E21C 35/18(2006.01)i*

According to International Patent Classification (IPC) or to both national classification and IPC

**B. FIELDS SEARCHED**

Minimum documentation searched (classification system followed by classification symbols)

E21C 25/10; E21C 35/18

Documentation searched other than minimum documentation to the extent that such documents are included in the fields searched

Korean utility models and applications for utility models

Japanese utility models and applications for utility models

Electronic data base consulted during the international search (name of data base and, where practicable, search terms used)

eKOMPASS(KIPO internal) &amp; Keywords: cutting drum, rotating drum, chisel, bit, pick, repalace

**C. DOCUMENTS CONSIDERED TO BE RELEVANT**

Category*	Citation of document, with indication, where appropriate, of the relevant passages	Relevant to claim No.
A	US 6244665 B1 (BISE; DOUGLAS E. et al.) 12 June 2001 See column 2 line 35 - column 3 line 26 and figures 2-4	1-10
A	US 2004-0004389 A1 (WINCHESTER E. LATHAM) 08 January 2004 See paragraph 0030 and figure 7	1-10
A	US 6176552 B1 (TOPKA, JR.; KENNETH J. et al.) 23 January 2001 See column 3 line 44-52 and figure 4	1-10
A	US 06086160A A (BITELLI; ROMOLO) 11 July 2000 See column 5 line 58067 and figure 5	1-10

 Further documents are listed in the continuation of Box C. See patent family annex.

\* Special categories of cited documents:

"A" document defining the general state of the art which is not considered to be of particular relevance

"E" earlier application or patent but published on or after the international filing date

"L" document which may throw doubts on priority claim(s) or which is cited to establish the publication date of citation or other special reason (as specified)

"O" document referring to an oral disclosure, use, exhibition or other means

"P" document published prior to the international filing date but later than the priority date claimed

"T" later document published after the international filing date or priority date and not in conflict with the application but cited to understand the principle or theory underlying the invention

"X" document of particular relevance; the claimed invention cannot be considered novel or cannot be considered to involve an inventive step when the document is taken alone

"Y" document of particular relevance; the claimed invention cannot be considered to involve an inventive step when the document is combined with one or more other such documents, such combination being obvious to a person skilled in the art

"&amp;" document member of the same patent family

Date of the actual completion of the international search

22 FEBRUARY 2012 (22.02.2012)

Date of mailing of the international search report

**24 FEBRUARY 2012 (24.02.2012)**

Name and mailing address of the ISA/KR

Korean Intellectual Property Office  
Government Complex-Daejeon, 189 Cheongsa-ro,  
Seo-gu, Daejeon 302-701, Republic of Korea

Facsimile No. 82-42-472-7140

Authorized officer

KANG, Koo Hwan

Telephone No. 82-42-481-8309



**INTERNATIONAL SEARCH REPORT**

Information on patent family members

International application No.

**PCT/US2011/042308**

Patent document cited in search report	Publication date	Patent family member(s)	Publication date
US 6244665 B1	12.06.2001	DE 10001841 A1	31.08.2000
		DE 10001841 G2	31.07.2003
		JP 03-377975 B2	06.12.2002
		JP 2000-234490 A	29.08.2000
		JP 3377975 B2	17.02.2003
US 2004-0004389 A1	08.01.2004	US 2003-0230927 A1	18.12.2003
		US 6692083 B2	17.02.2004
US 6176552 B1	23.01.2001	AU 1999-64963 A1	26.04.2000
		DE 69912631 D1	11.12.2003
		DE 69912631 T2	29.07.2004
		EP 1127213 A2	29.08.2001
		EP 1127213 B1	05.11.2003
		WO 00-20722 A2	13.04.2000
		WO 00-20722 A3	13.04.2000
WO 00-20722A3	12.04.2001		
US 06086160A A	11.07.2000	US 06086160A A	11.07.2000