

(19) World Intellectual Property Organization
International Bureau



(43) International Publication Date
8 September 2006 (08.09.2006)

PCT

(10) International Publication Number
WO 2006/093803 A3

(51) International Patent Classification:
G08B 23/00 (2006.01) G08B 17/10 (2006.01)

(21) International Application Number:
PCT/US2006/006458

(22) International Filing Date:
24 February 2006 (24.02.2006)

(25) Filing Language: English

(26) Publication Language: English

(30) Priority Data:
60/657,352 28 February 2005 (28.02.2005) US

(71) Applicant and

(72) Inventor: ROSENBLATT, Jason, R. [US/US]; 1355
N. Sandburg Terrace, Unit 2409, Chicago, Illinois 60610
(US).

(74) Agent: KEATING, Edward, M.; Cook, Alex, McFarron,
Manzo, Cummings & Mehler, Ltd, 200 W. Adams Street,
Suite 2850, Chicago, Illinois 60606 (US).

(81) Designated States (unless otherwise indicated, for every
kind of national protection available): AE, AG, AL, AM,

AT, AU, AZ, BA, BB, BG, BR, BW, BY, BZ, CA, CH, CN,
CO, CR, CU, CZ, DE, DK, DM, DZ, EC, EE, EG, ES, FI,
GB, GD, GE, GH, GM, HR, HU, ID, IL, IN, IS, JP, KE,
KG, KM, KN, KP, KR, KZ, LC, LK, LR, LS, LT, LU, LV,
LY, MA, MD, MG, MK, MN, MW, MX, MZ, NA, NG, NI,
NO, NZ, OM, PG, PH, PL, PT, RO, RU, SC, SD, SE, SG,
SK, SL, SM, SY, TJ, TM, TN, TR, TT, TZ, UA, UG, US,
UZ, VC, VN, YU, ZA, ZM, ZW.

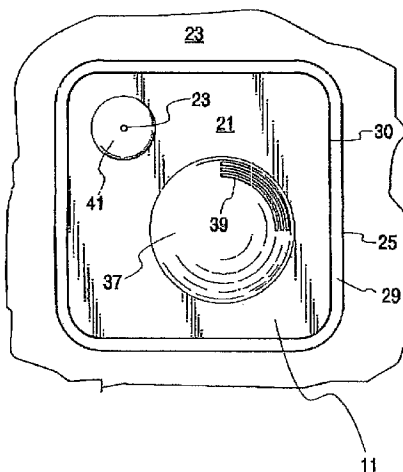
(84) Designated States (unless otherwise indicated, for every
kind of regional protection available): ARIPO (BW, GH,
GM, KE, LS, MW, MZ, NA, SD, SL, SZ, TZ, UG, ZM,
ZW), Eurasian (AM, AZ, BY, KG, KZ, MD, RU, TJ, TM),
European (AT, BE, BG, CH, CY, CZ, DE, DK, EE, ES, FI,
FR, GB, GR, HU, IE, IS, IT, LT, LU, LV, MC, NL, PL, PT,
RO, SE, SI, SK, TR), OAPI (BF, BJ, CF, CG, CI, CM, GA,
GN, GQ, GW, ML, MR, NE, SN, TD, TG).

Published:
— with international search report

(88) Date of publication of the international search report:
5 July 2007

For two-letter codes and other abbreviations, refer to the "Guid-
ance Notes on Codes and Abbreviations" appearing at the begin-
ning of each regular issue of the PCT Gazette.

(54) Title: FLUSH MOUNTED ASSEMBLY FOR HOUSING AN AMBIENT AIR ABNORMAL CONDITION SENSOR



(57) Abstract: A flush mounted assembly (21) for housing an electronic or electro-mechanical module which detects abnormal conditions and responds to the detection of such abnormal conditions. The assembly includes a base mounted in an opening in a structural member such as a wall, partition or ceiling (23). The base (13) includes a peripheral wall (27) defining a shallow cavity with an outer open face and an inner wall. A laterally outwardly projecting flange extends from the peripheral side wall of the base for flush engagement with the structural member. The shallow cavity of the base is dimensioned to receive the electronic or electro-mechanical module. A closure plate (11) is provided for the open outer face of the base. The closure face has a periphery dimensioned to close the open outer face of the shallow cavity in the base leaving only a narrow gap between the closure plate periphery and the base periphery wall to allow ambient air to enter the shallow cavity of the base and interact with the module. The module is clamped in a frame which fits into the shallow cavity of the base. Releasably engageable connections are provided to attach the closure plate to the container. An electrical junction box receives the base and is held thereto by fasteners.



WO 2006/093803 A3

INTERNATIONAL SEARCH REPORT

International application No.

PCT/US06/06458

<p>A. CLASSIFICATION OF SUBJECT MATTER IPC: G08B 23/00(2006.01),17/10(2006.01)</p> <p>USPC: 340/628,630,632,693.6,693.9,693.11 According to International Patent Classification (IPC) or to both national classification and IPC</p>												
<p>B. FIELDS SEARCHED</p> <p>Minimum documentation searched (classification system followed by classification symbols) U.S. : 340/628,630,632,693.6,693.9,693.11</p> <p>Documentation searched other than minimum documentation to the extent that such documents are included in the fields searched</p> <p>Electronic data base consulted during the international search (name of data base and, where practicable, search terms used) EAST database: smoke detector, flush mounted, ceiling, ambient air.</p>												
<p>C. DOCUMENTS CONSIDERED TO BE RELEVANT</p> <table border="1"> <thead> <tr> <th>Category *</th> <th>Citation of document, with indication, where appropriate, of the relevant passages</th> <th>Relevant to claim No.</th> </tr> </thead> <tbody> <tr> <td>X, P</td> <td>US 2006/0125648 A (YOUNG) 15 June 2006, see entire document.</td> <td>1-9</td> </tr> </tbody> </table>			Category *	Citation of document, with indication, where appropriate, of the relevant passages	Relevant to claim No.	X, P	US 2006/0125648 A (YOUNG) 15 June 2006, see entire document.	1-9				
Category *	Citation of document, with indication, where appropriate, of the relevant passages	Relevant to claim No.										
X, P	US 2006/0125648 A (YOUNG) 15 June 2006, see entire document.	1-9										
<p><input type="checkbox"/> Further documents are listed in the continuation of Box C. <input type="checkbox"/> See patent family annex.</p>												
<p>* Special categories of cited documents:</p> <table border="0"> <tr> <td>"A" document defining the general state of the art which is not considered to be of particular relevance</td> <td>"T" later document published after the international filing date or priority date and not in conflict with the application but cited to understand the principle or theory underlying the invention</td> </tr> <tr> <td>"E" earlier application or patent published on or after the international filing date</td> <td>"X" document of particular relevance; the claimed invention cannot be considered novel or cannot be considered to involve an inventive step when the document is taken alone</td> </tr> <tr> <td>"L" document which may throw doubts on priority claim(s) or which is cited to establish the publication date of another citation or other special reason (as specified)</td> <td>"Y" document of particular relevance; the claimed invention cannot be considered to involve an inventive step when the document is combined with one or more other such documents, such combination being obvious to a person skilled in the art</td> </tr> <tr> <td>"O" document referring to an oral disclosure, use, exhibition or other means</td> <td>"&" document member of the same patent family</td> </tr> <tr> <td>"P" document published prior to the international filing date but later than the priority date claimed</td> <td></td> </tr> </table>			"A" document defining the general state of the art which is not considered to be of particular relevance	"T" later document published after the international filing date or priority date and not in conflict with the application but cited to understand the principle or theory underlying the invention	"E" earlier application or patent published on or after the international filing date	"X" document of particular relevance; the claimed invention cannot be considered novel or cannot be considered to involve an inventive step when the document is taken alone	"L" document which may throw doubts on priority claim(s) or which is cited to establish the publication date of another citation or other special reason (as specified)	"Y" document of particular relevance; the claimed invention cannot be considered to involve an inventive step when the document is combined with one or more other such documents, such combination being obvious to a person skilled in the art	"O" document referring to an oral disclosure, use, exhibition or other means	"&" document member of the same patent family	"P" document published prior to the international filing date but later than the priority date claimed	
"A" document defining the general state of the art which is not considered to be of particular relevance	"T" later document published after the international filing date or priority date and not in conflict with the application but cited to understand the principle or theory underlying the invention											
"E" earlier application or patent published on or after the international filing date	"X" document of particular relevance; the claimed invention cannot be considered novel or cannot be considered to involve an inventive step when the document is taken alone											
"L" document which may throw doubts on priority claim(s) or which is cited to establish the publication date of another citation or other special reason (as specified)	"Y" document of particular relevance; the claimed invention cannot be considered to involve an inventive step when the document is combined with one or more other such documents, such combination being obvious to a person skilled in the art											
"O" document referring to an oral disclosure, use, exhibition or other means	"&" document member of the same patent family											
"P" document published prior to the international filing date but later than the priority date claimed												
<p>Date of the actual completion of the international search 07 February 2007 (07.02.2007)</p>		<p>Date of mailing of the international search report 27 MAR 2007</p>										
<p>Name and mailing address of the ISA/US Mail Stop PCT, Attn: ISA/US Commissioner of Patents P.O. Box 1450 Alexandria, Virginia 22313-1450 Facsimile No. (571) 273-3201</p>		<p>Authorized officer Jacqueline A. Whitfield Special Project Asst. Phung Nguyen Telephone No. 571-272-2968</p>										