

(21) Application No 8911950.7
(22) Date of filing 24.05.1989
(30) Priority data
(31) 8812803 (32) 28.05.1988 (33) GB

(71) Applicant
Smiths Industries Public Limited Company

(Incorporated in the United Kingdom)

765 Finchley Road, London, NW11 8DS,
United Kingdom

(72) Inventor
James Michael Wood

(74) Agent and/or Address for Service
J M Flint
765 Finchley Road, London, NW11 8DS,
United Kingdom

(51) INT CL⁴
A61M 1/00
(52) UK CL (Edition J)
A5R RCE
(56) Documents cited
GB 1447436 A GB 1363273 A WO 86/02844 A1
US 4795448 A US 4487606 A US 4465485 A
US 4346711 A US 4275732 A US 4228798 A
(58) Field of search
UK CL (Edition J) **A5R RCE**
INT CL⁴ **A61M**

(54) **Medico-surgical containers**

(57) A medico-surgical suction container has an inlet 10 connected to a suction catheter 11 and an outlet 20 connected to a pump 21 capable of reducing pressure in the container to at least 500 mm Hg below atmosphere. Within the container, in line with the outlet 20, is a housing 44 containing a filter 41 having a layer of a PTFE membrane on a support screen and a layer of a glass microfibre laminated to a polymer monofilament. The filter 41 allows passage of gas from the container but prevents passage of bacteria and liquid. A tube 43 projects down from the filter housing 44 into the container, the lower end of which defines the maximum filling level, thereby preventing overfilling of the container. The inlet 10 and outlet 20 are formed in recesses 13 and 23 which can be sealed by plugs 14 and 24 attached to the container by flexible webs 15 and 25. The plugs 14 and 24, when inserted, form a smooth surface of the recesses, thereby preventing subsequent removal. An expansion chamber 30 has a convex base plate 31 beneath the inlet 10 so that liquid flows outwardly and down the edge of the plate between a gap 32 with the container and through slots 33 at the edge of the plate.

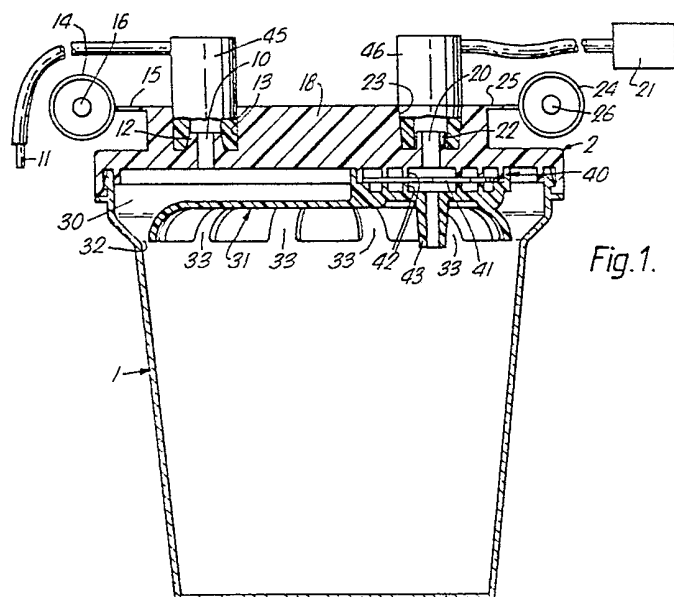


Fig.1.

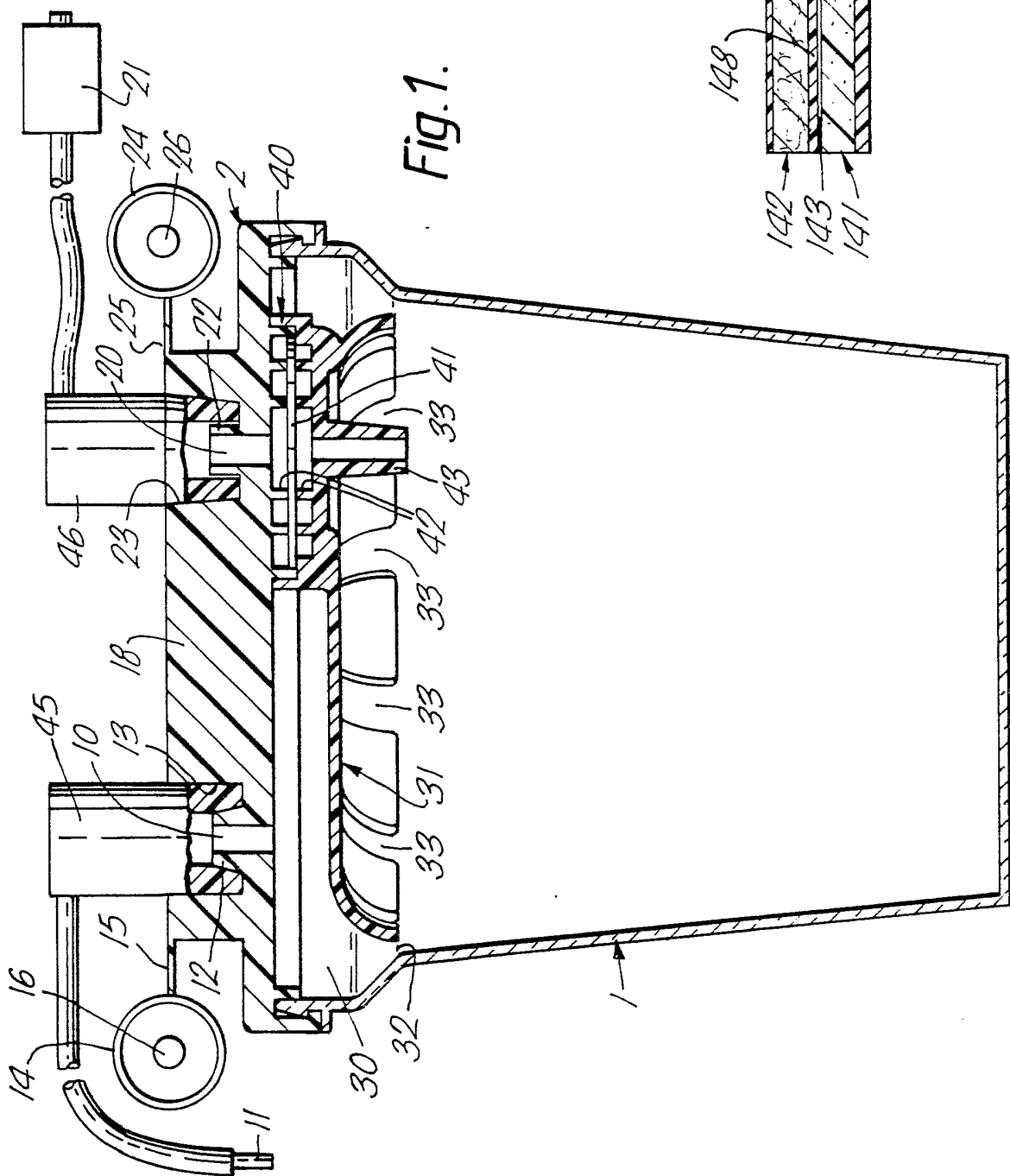


Fig. 1.

Fig. 4.

Fig. 2.

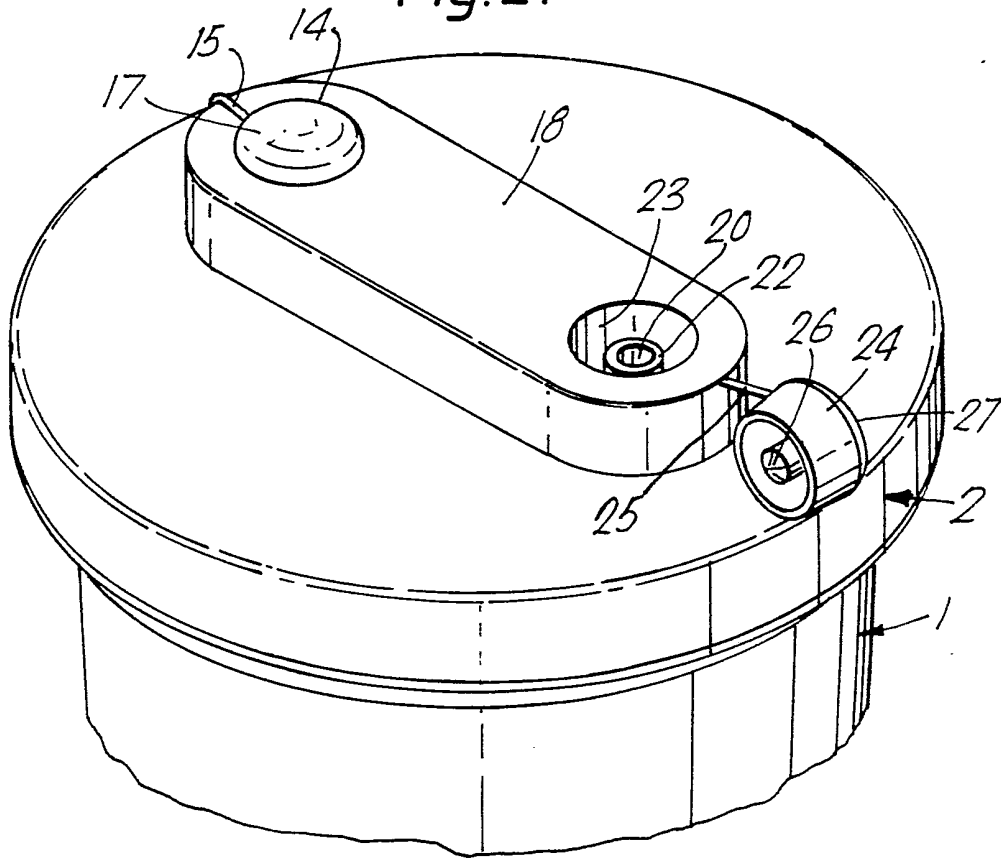
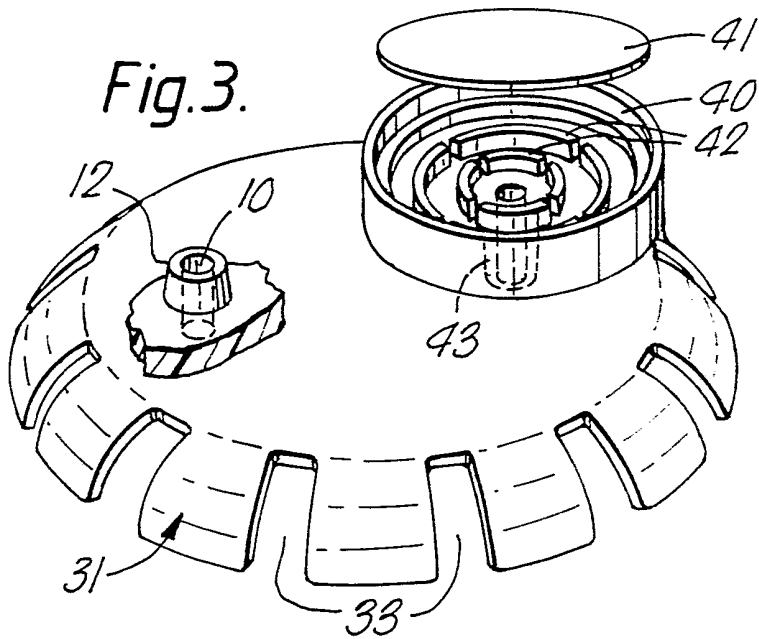


Fig. 3.



MEDICO-SURGICAL CONTAINERS AND SUCTION SYSTEMS

This invention relates to medico-surgical containers and suction systems.

The invention is more particularly concerned with containers for collecting liquid and other debris removed from a surgical site by suction in a suction system.

Suction applied by a vacuum pump is used to remove blood, irrigation liquid, tissue debris and the like during surgery. The suction system commonly comprises a suction catheter, a vacuum pump and a collection container. The collection container has two openings one of which is connected to the suction catheter and the other of which is connected to the vacuum pump. The reduced pressure produced by the vacuum pump is communicated with the suction catheter via the container so that material in the surgical site can be sucked along the catheter and collected in the container.

Such collection containers usually have a float-actuated ball valve in the outlet connected to the vacuum pump, the ball valve closing when the liquid in the container rises above a preset level, so as to prevent the liquid being sucked into the vacuum pump. A bacterial filter is often connected between the container and the pump to prevent any airborne or aerosol-borne bacteria being dispersed to the atmosphere.

Because the contents of the collection container after use are often contaminated, their safe disposal presents problems.

It is an object of the present invention to provide an improved medico-surgical container.

According to one aspect of the present invention there is provided a medico-surgical container having an inlet for connection to a suction catheter, an outlet for connection to a vacuum pump, and a filter member located in the container in line with the outlet, the filter member allowing passage of gas from the container to the outlet but preventing passage of bacteria and of liquid such that overflowing of the container is prevented by the filter member.

In this way, the need for a separate float valve and bacterial filter is obviated.

The filter member is preferably contained within a housing having a tube projecting downwardly into the container, the lower end of the tube defining the maximum filling level of the container. The filter member may include a layer comprising a PTFE membrane on a support screen and may include a layer including a glass microfibre laminated to a polymer monofilament.

The container preferably includes plug means for sealing the inlet and outlet after use. The inlet and outlet may be formed in respective recesses, the plug means being shaped such that when inserted they form a smooth surface of the recess making subsequent removal of the plug difficult. The plug means may be each attached to the container by means of a flexible web.

The container preferably includes an expansion chamber located beneath the inlet. The expansion chamber may have a base plate of convex shape arranged such that the liquid from the inlet flows outwardly and down the edge of the plate. The outlet from the expansion chamber is preferably at the edge of the base plate and may include slots formed at the edge of the base plate.

According to another aspect of the present invention there is provided a medico-surgical suction system including a container according to the above one aspect of the invention, a suction catheter connected in communication with the inlet and a vacuum pump connected in communication with the outlet.

The pump is preferably capable of delivering a pressure of at least 500 mm Hg below atmosphere in the container.

A suction system including a suction container in accordance with the present invention will now be described, by way of example, with reference to the accompanying drawings, in which:

- Figure 1 is a sectional side elevation view of the container;
- Figure 2 is a perspective view of the top of the container;
- Figure 3 is a perspective view of the interior of the top of the container; and
- Figure 4 is a sectional elevation through the filter member of the container.

With reference first to Figures 1 and 2, the surgical suction system includes a container comprising a cylindrical, transparent jar 1 of a plastics or glass and a top closure 2 that is irremovably sealed to the jar. An inlet 10 and outlet 20 are provided in the top closure 2 that are connected respectively to a suction catheter 11 and a vacuum pump 21 capable of delivering a vacuum of at least 500 mm Hg below atmosphere in the jar 1.

The inlet 10 and outlet 20 both have a vertical spigot 12 and 22 located within respective cylindrical recesses 13 and 23 formed in a handle 18 that extends across the top of the closure 2. The inlet spigot 12 has a tapered outer surface which mates with a female connector 45 that is connected to the suction catheter 11. The outlet recess 23 is tapered outwardly towards its upper end to receive therein, as a mating fit, a male connector 46 that is connected to the vacuum pump 21. The connectors 45 and 46 are differently shaped and the recesses 13 and 23 are of different diameters so that it is not possible to fit the connectors into the wrong recesses. At opposite ends of the handle 18, plugs 14 and 24 are attached by means of short flexible webs 15 and 25, one of the plugs 14 being shown inserted in Figure 2. One side of each plug 14 and 24 is hollow and formed with a central nose 16 and 26, the external diameter of each plug being such that it is a close, push fit within the recess 13 and 23 with the nose

being a close sealing fit within the respective spigot 12 and 22. The other side of each plug 14 and 24 has a shallow convex surface 17 and 27 respectively. The plugs 14 and 24 can be inserted into their adjacent recess 10 or 20 by bending and twisting their web 15 and 25 so that the convex surface 17 or 27 forms a smooth, shallow projection from the handle which cannot be gripped easily. This prevents the plugs being pulled out readily once inserted.

The inlet 10 opens into an expansion chamber 30 formed in the top closure 2 and seen most clearly in Figure 3. The chamber 30 has a base plate 31 of convex shape which underlies the inlet 10 so that liquid from the inlet flows outwardly and down the edge of the plate. The diameter of the plate 31 is slightly less than that of the jar 1 so that an annular gap is formed around the outer edge of the plate, between the inner surface of the jar, which provides an outlet from the chamber 30 offset laterally from its inlet 10. Radial slots 33 are spaced around the edge of the plate 31 to provide additional liquid flow paths into the jar. The purposes of the expansion chamber 30 is to reduce turbulence and splashing inside the jar 1 by providing an indirect and smooth flow of liquid from the expansion chamber into the jar.

The spigot 22 of the vacuum outlet 20 opens into a filter assembly 40 in the top closure 2. The filter assembly 40 has a housing 44 containing a hydrophobic filter element 41 of the kind sold by Arbor Technologies under the trade mark CONTAIN and the code number 85005.

5 The element 41 is shown in more detail in Figure 4 and is a membrane made up of two layers 141 and 142 bonded together around their edge 143. The layer 141 facing the inside of the jar 1 comprises a PTFE membrane 144 laminated with a polypropylene support screen 145, the PTFE membrane facing outwardly. This layer is tested to withstand water breakthrough

10 at at least 10 psi. The layer 142 facing the pump 21 is a glass microfibre 146 which is laminated on both sides with polypropylene monofilament 147 and 148 that is treated to render it hydrophobic. The element 41 is retention rated at a particle size of 0.3 micron and can withstand pressure across it of 700 mm Hg. Although different forms of

15 filter element may be effective at removing bacteria at low pressure, at the relatively high pressures encountered in surgical suction systems, a membrane type of element, such as of the kind described, is most effective. The element 41 is supported on both sides by ribs 42 formed internally of the housing 44. On its lower side, the filter assembly 40

20 communicates with a short vertical vent tube 43 that projects downwardly of the housing 44 into the jar 1 by a short distance, the lower end of the vent tube defining the maximum filling volume of the jar. The element 41 thereby communicates with the jar 1 without the interpositon

of any separate valve or overflow prevention device.

When the pump 21 is turned on, it draws air out of the container through the filter assembly 40 which acts as a bacterial filter to prevent contamination of the pump or atmosphere. The reduced pressure inside the container causes suction to be applied to the suction inlet 10 and hence to the suction catheter 11. This in turn causes any liquid or small debris in the region of the operative tip of the catheter 11 to be sucked along the catheter, through the inlet 10 and the expansion chamber 30 into the container until the level of contents in the jar 1 reaches the lower end of the vent tube 43. When this happens, liquid is drawn up the tube 43 into the filter assembly 40. Although the filter element 41 allows passage of gas, it prevents the passage of liquid, so that the contents of the container are prevented from reaching the vacuum outlet 20. Because further gas flow to the vacuum pump 21 is prevented, suction ceases at the catheter 11, signalling to the user that the container is full. The user then turns off the pump and disconnects the inlet 10 and outlet 20 from their connections, thereby allowing liquid in the filter assembly 40 and tube 43 to flow back down into the jar 1. The plugs 14 and 24 are then pushed into the respective recesses 13 and 23 to seal the jar 1 closed.

5

10

15

20

The hydrophobic filter serves the dual function of preventing overfilling and of removing bacteria from gas vented from the container. It avoids the need to provide a separate bacterial filter, thereby simplifying the setting up of the suction system. There is a risk, where a separate bacterial filter is used, that replacement of the filter will be overlooked and that a filter may be left in the system long enough to become damaged. In the present arrangement, because the filter is disposed of every time the collection jar is full, there is less risk of contamination caused by use of a damaged filter. The use of a membrane type filter element enables effective bacterial filtering at the relatively high pressure differentials of about 500 mm Hg encountered in surgical suction systems.

5

10

CLAIMS

1. A medico-surgical container having an inlet for connection to a suction catheter, an outlet for connection to a vacuum pump, and a filter member located in said container in line with the outlet, the filter member allowing passage of gas from the container to the outlet but preventing passage of bacteria and of liquid such that overfilling of the container is prevented by said filter member.

2. A container according to Claim 1, wherein the filter member is contained within a housing having a tube projecting downwardly into the container, the lower end of the tube defining the maximum filling level of the container.

3. A container according to Claim 1 or 2, wherein the filter member includes a layer comprising a PTFE membrane on a support screen.

4. A container according to any one of the preceding claims, wherein the filter member includes a layer including a glass microfibre laminated to a polymer monofilament.

5. A container according to one of the preceding claims including plug means for sealing the inlet and outlet after use.
6. A container according to Claim 5, wherein the inlet and outlet are formed in respective recesses, and wherein the plug means are shaped such that when inserted they form a smooth surface of the recess making subsequent removal of the plug means difficult.
7. A container according to Claim 5 or 6, wherein the plug means are each attached to the container by means of a flexible web.
8. A container according to any one of the preceding claims, wherein the container includes an expansion chamber located beneath the inlet.
9. A container according to Claim 8, wherein the expansion chamber has a base plate of convex shape arranged such that liquid from the inlet flows outwardly and down the edge of the plate.
10. A container according to Claim 9, wherein the outlet from the expansion chamber is at the edge of the base plate.

11. A container according to Claim 10, wherein the outlet from the expansion chamber includes slots formed at the edge of the base plate.
12. A container substantially as hereinbefore described with reference to the accompanying drawings.
13. A medico-surgical suction system including a container according to any one of the preceding claims, a suction catheter connected in communication with the inlet and a vacuum pump connected in communication with the outlet.
14. A medico-surgical suction system according to Claim 13, wherein the pump is capable of delivering a pressure of at least 500 mm Hg below atmosphere in the container.
15. A medico-surgical suction system substantially as hereinbefore described with reference to the accompanying drawings.
16. Any novel feature or combination of features as hereinbefore described.