



US00D775722S

(12) **United States Design Patent**
Caprice et al.

(10) **Patent No.:** **US D775,722 S**

(45) **Date of Patent:** **** Jan. 3, 2017**

(54) **MASK WITH SNORKEL**

(71) Applicants: **Cédric Caprice**, Villeneuve d'Ascq (FR); **Vivien Durisotti**, Conflans Sainte Honorine (FR); **Antoine Fristsch**, Conflans Sainte Honorine (FR)

(72) Inventors: **Cédric Caprice**, Villeneuve d'Ascq (FR); **Vivien Durisotti**, Conflans Sainte Honorine (FR); **Antoine Fristsch**, Conflans Sainte Honorine (FR)

(73) Assignee: **Decathlon S.A.**, Villeneuve d'Ascq (FR)

(**) Term: **14 Years**

(21) Appl. No.: **29/489,967**

(22) Filed: **May 5, 2014**

(30) **Foreign Application Priority Data**

Nov. 6, 2013 (EM) 002340224-0001

(51) **LOC (10) Cl.** **29-02**

(52) **U.S. Cl.**

USPC **D24/110.2**; D24/110.4

(58) **Field of Classification Search**

USPC D24/110-110.5

(Continued)

(56) **References Cited**

U.S. PATENT DOCUMENTS

D335,322 S * 5/1993 Jones D24/110.2

D512,187 S * 11/2005 Canavan D29/122

(Continued)

Primary Examiner — Barbara Fox

Assistant Examiner — Lilyana Bekic

(74) *Attorney, Agent, or Firm* — Charles T. J. Weigell, Esq; Fross Zelnick Lehrman & Zissu, P.C.

(57) **CLAIM**

The ornamental design for a mask with snorkel, as shown and described.

DESCRIPTION

FIG. 1 is a front perspective view of a snorkel and mask showing my new design;

FIG. 2 is a front view of the mask with snorkel shown in FIG. 1;

FIG. 3 is a back view of the mask with snorkel shown in FIG. 1;

FIG. 4 is a side view of the mask with snorkel shown in FIG. 1;

FIG. 5 is the other side view of the mask with snorkel shown in FIG. 1

FIG. 6 is a top view of the mask with snorkel shown in FIG. 1;

FIG. 7 is a bottom view of the mask with snorkel shown in FIG. 1;

FIG. 8 is a front perspective view of the mask with snorkel with the face shield removed for ease of illustration;

FIG. 9 is a front view of the mask with snorkel shown in FIG. 8;

FIG. 10 is a back view of the mask with snorkel shown in FIG. 8;

FIG. 11 is a side view of the mask with snorkel shown in FIG. 8;

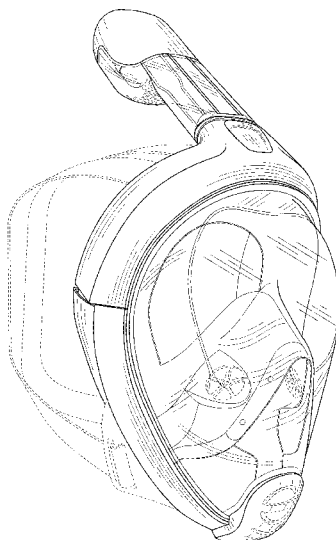
FIG. 12 is the other side view of the mask with snorkel shown in FIG. 8

FIG. 13 is a top view of the mask with snorkel shown in FIG. 8; and,

FIG. 14 is a bottom view of the mask with snorkel shown in FIG. 8.

The broken line showing of the lower cover apertures, the extension of the upper buckle of the snorkel, the apertures in the snorkel, the nasal valves, and straps illustrate portions of the mask with snorkel that form no part of the claimed design.

1 Claim, 14 Drawing Sheets



(58) **Field of Classification Search**

CPC B63C 11/205; B63C 11/16; B63C 11/186;
B63C 11/12

See application file for complete search history.

(56) **References Cited**

U.S. PATENT DOCUMENTS

D552,233	S *	10/2007	Trujillo	D24/110.2
D574,486	S *	8/2008	Betz	D24/110.2
D602,154	S *	10/2009	Ono	D24/110.2
D668,327	S *	10/2012	Sumner	D24/110.2
D668,758	S *	10/2012	Hall	D24/110.2
2001/0013346	A1 *	8/2001	Lemke	B63C 11/16 128/201.11
2005/0051164	A1 *	3/2005	Hutter	B63C 11/16 128/201.11
2006/0037607	A1 *	2/2006	Trujillo	F16J 1/00 128/201.11
2006/0048777	A1 *	3/2006	Brookman	A62B 7/02 128/201.22
2013/0074835	A1 *	3/2013	Newhouse	B63C 11/16 128/201.11

* cited by examiner

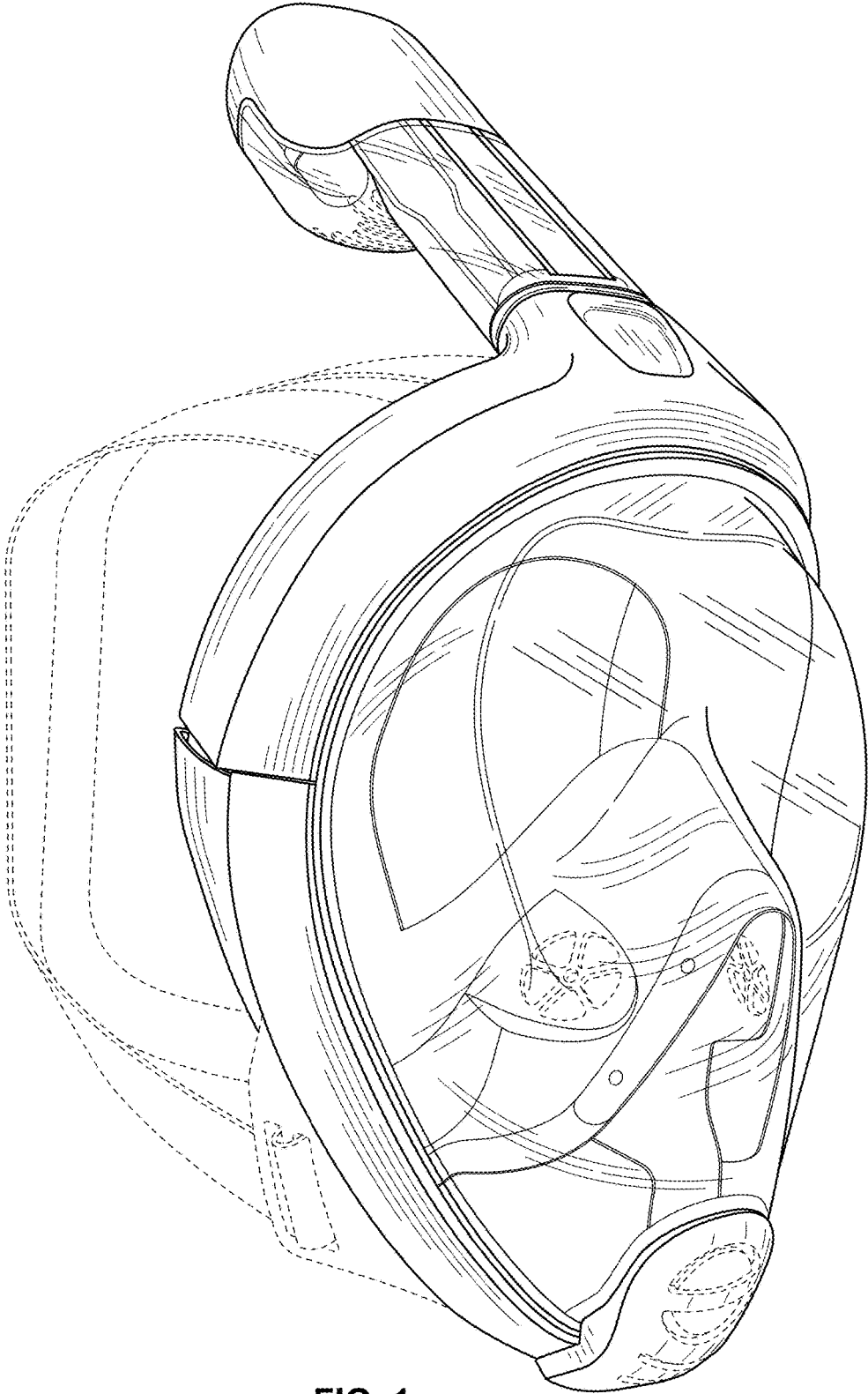


FIG. 1

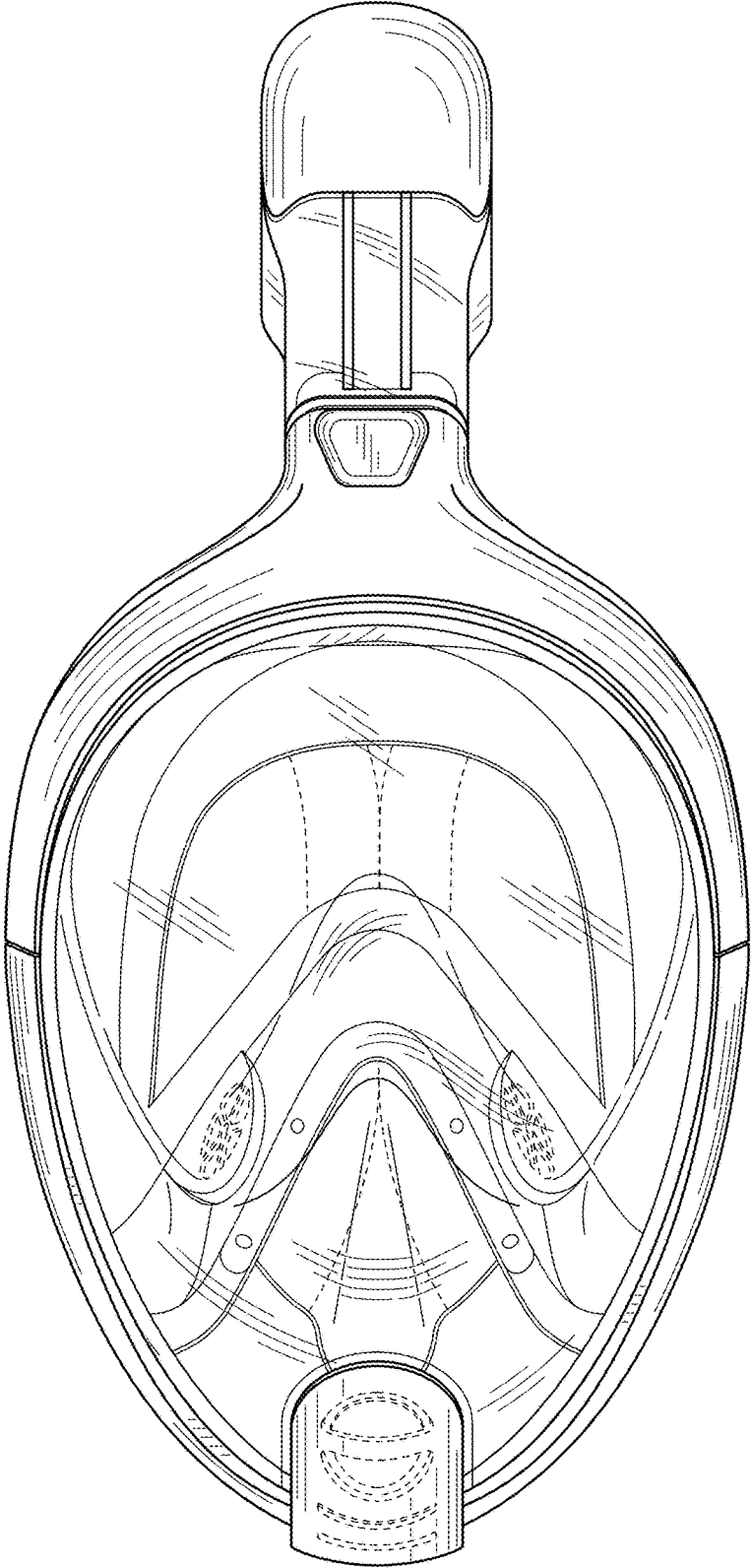


FIG. 2

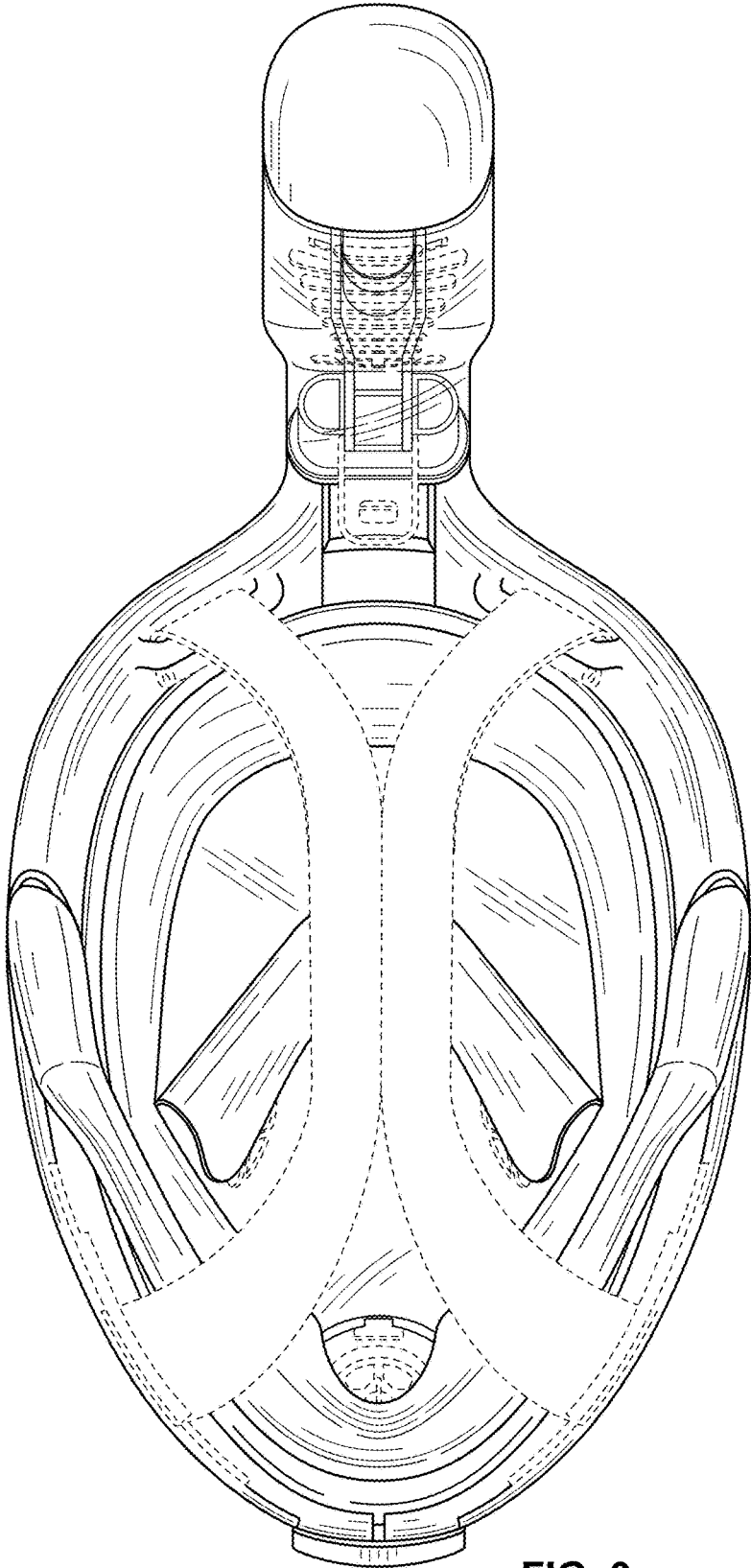


FIG. 3

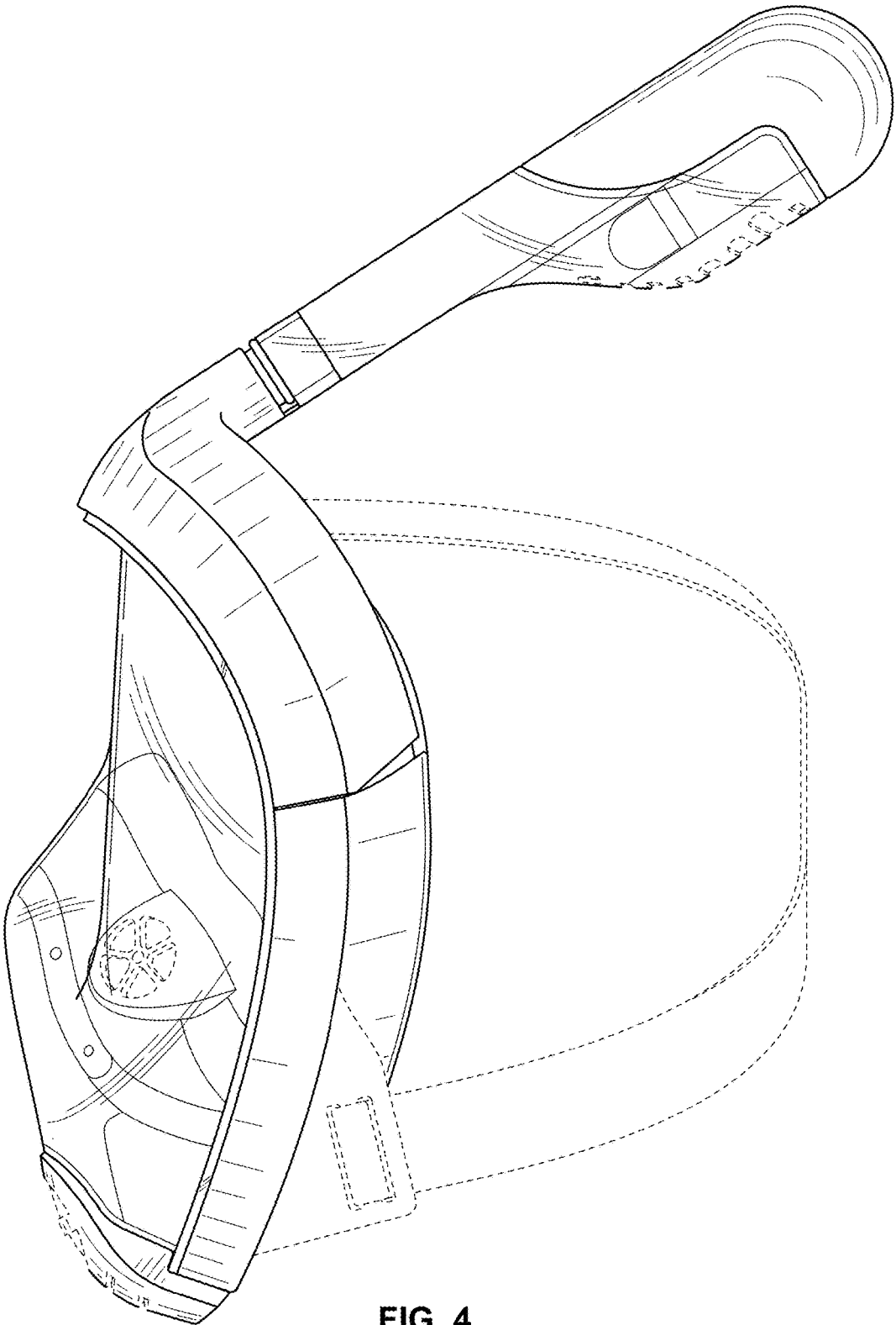


FIG. 4

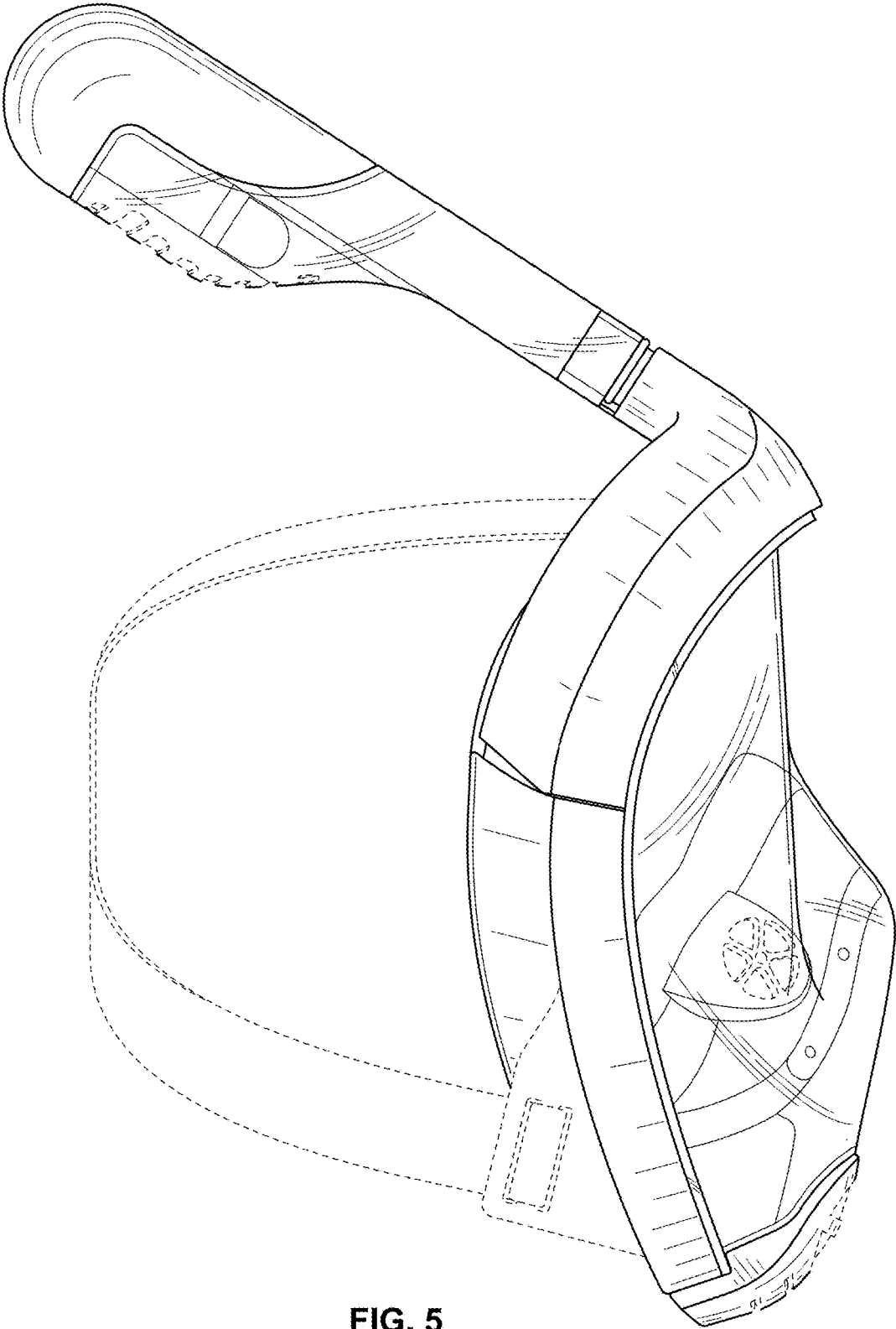


FIG. 5

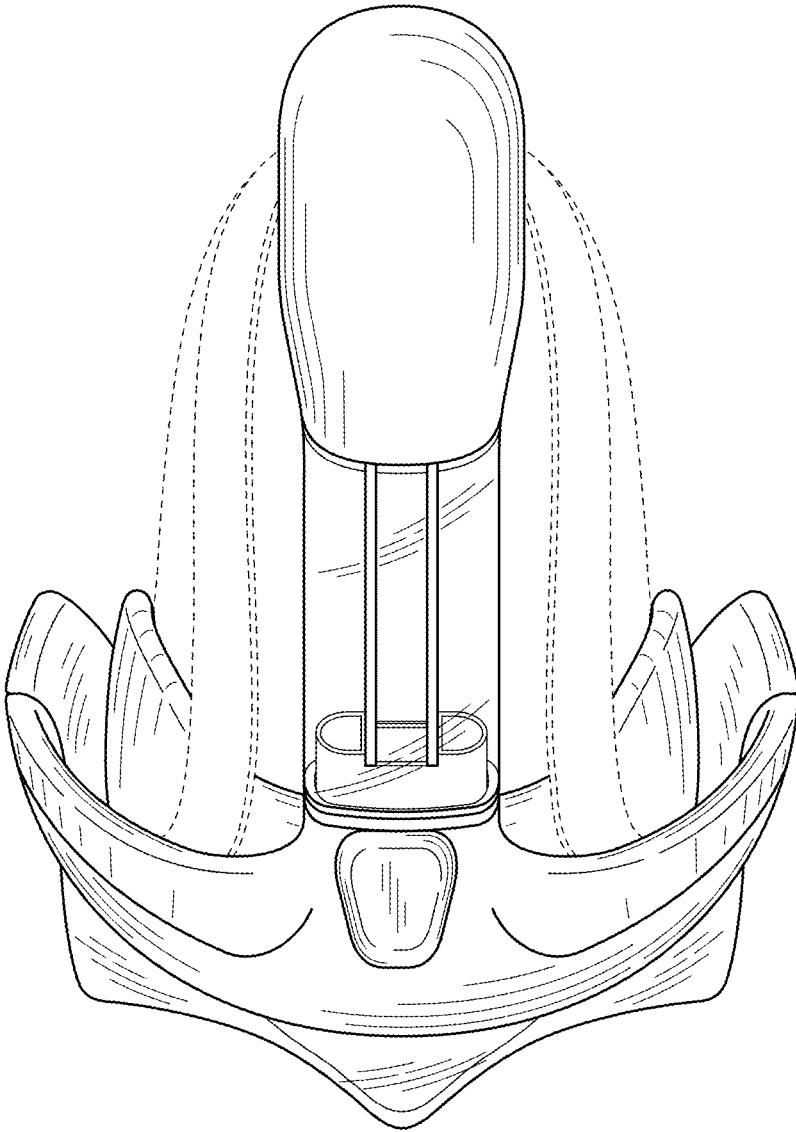


FIG. 6

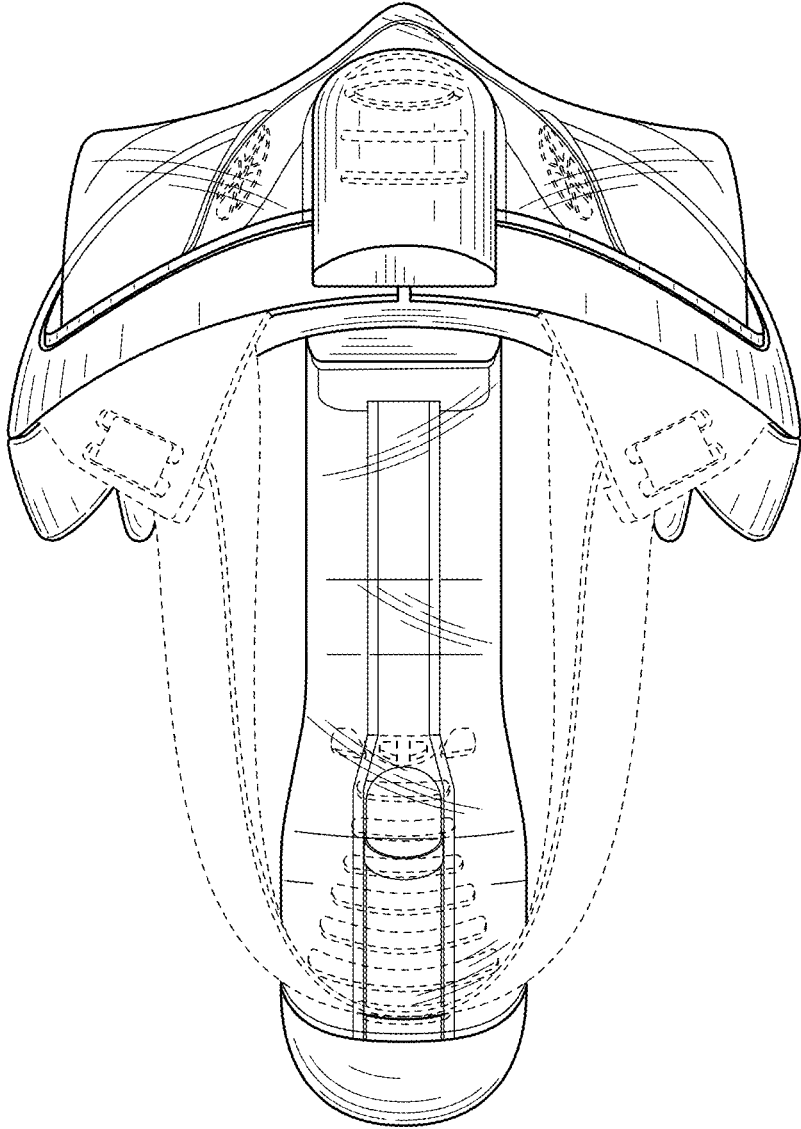


FIG. 7

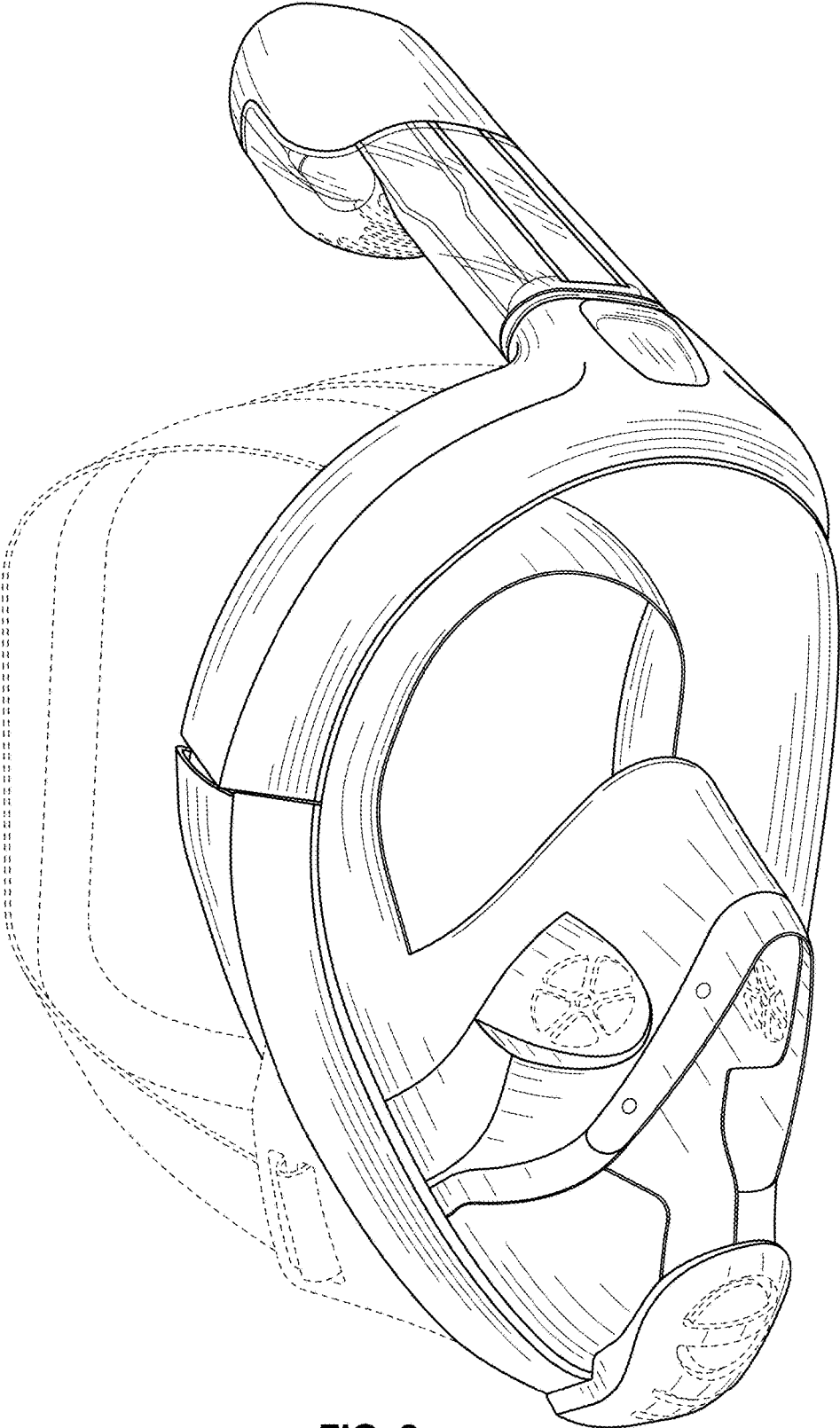


FIG. 8

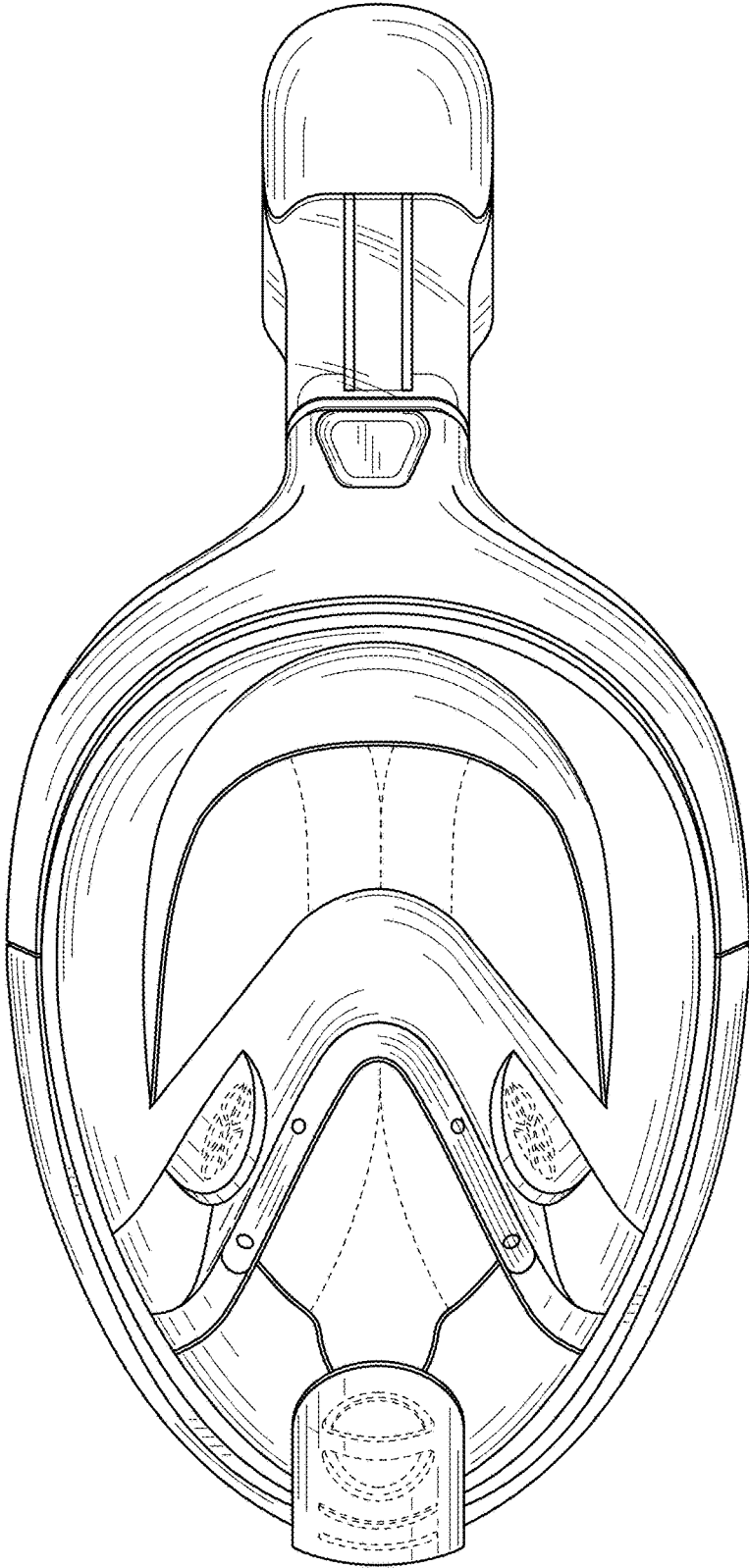


FIG. 9

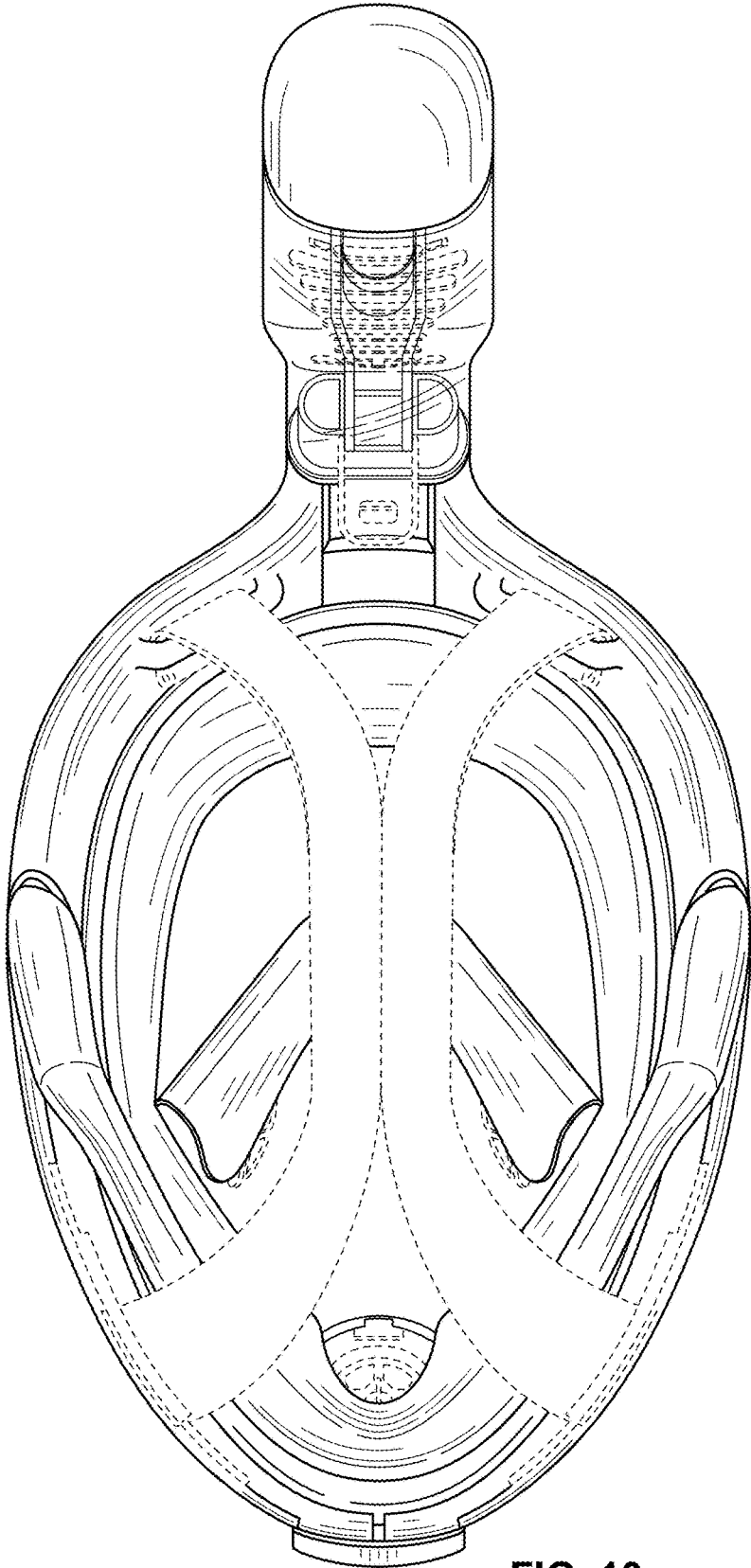


FIG. 10

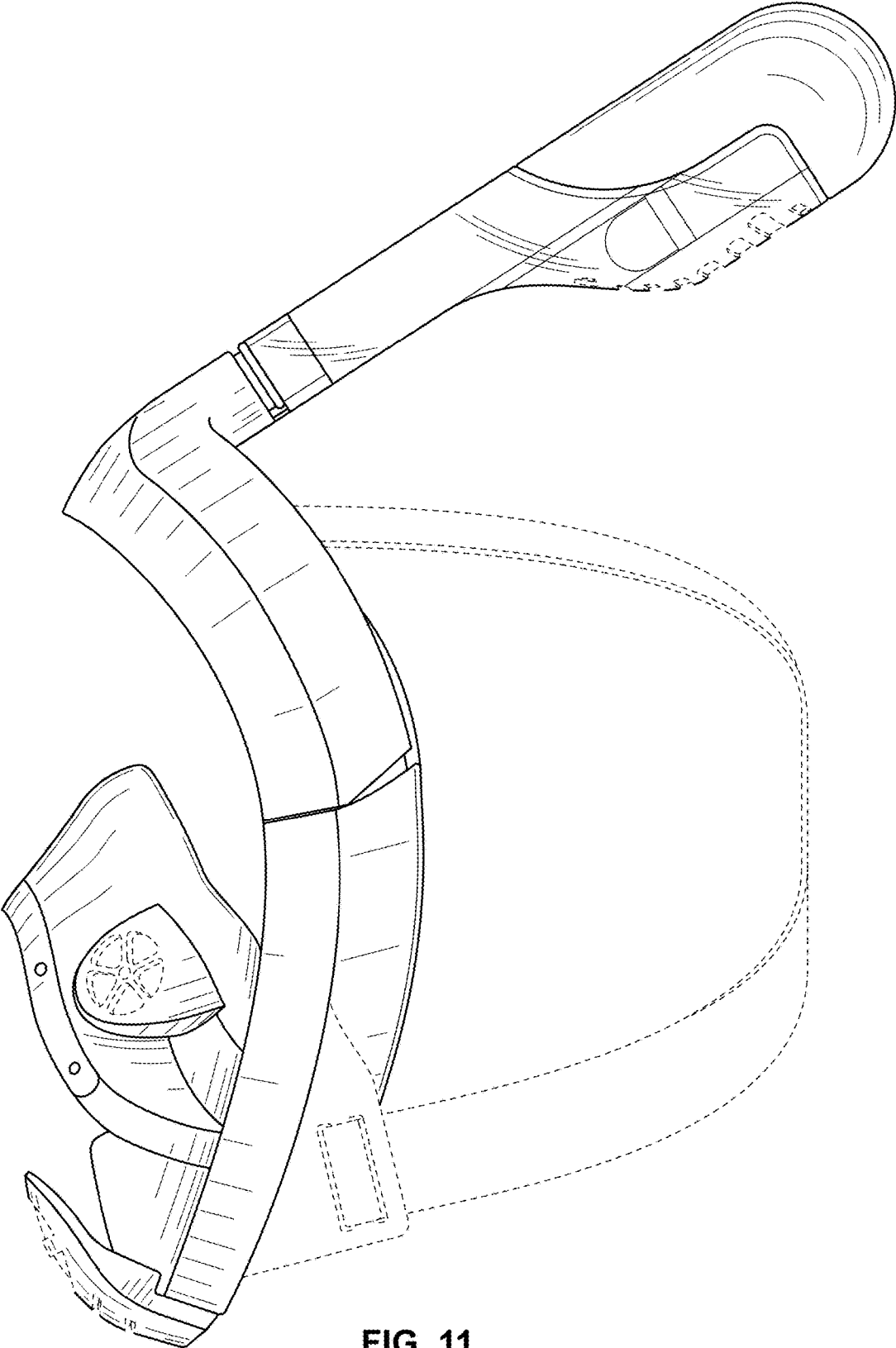


FIG. 11

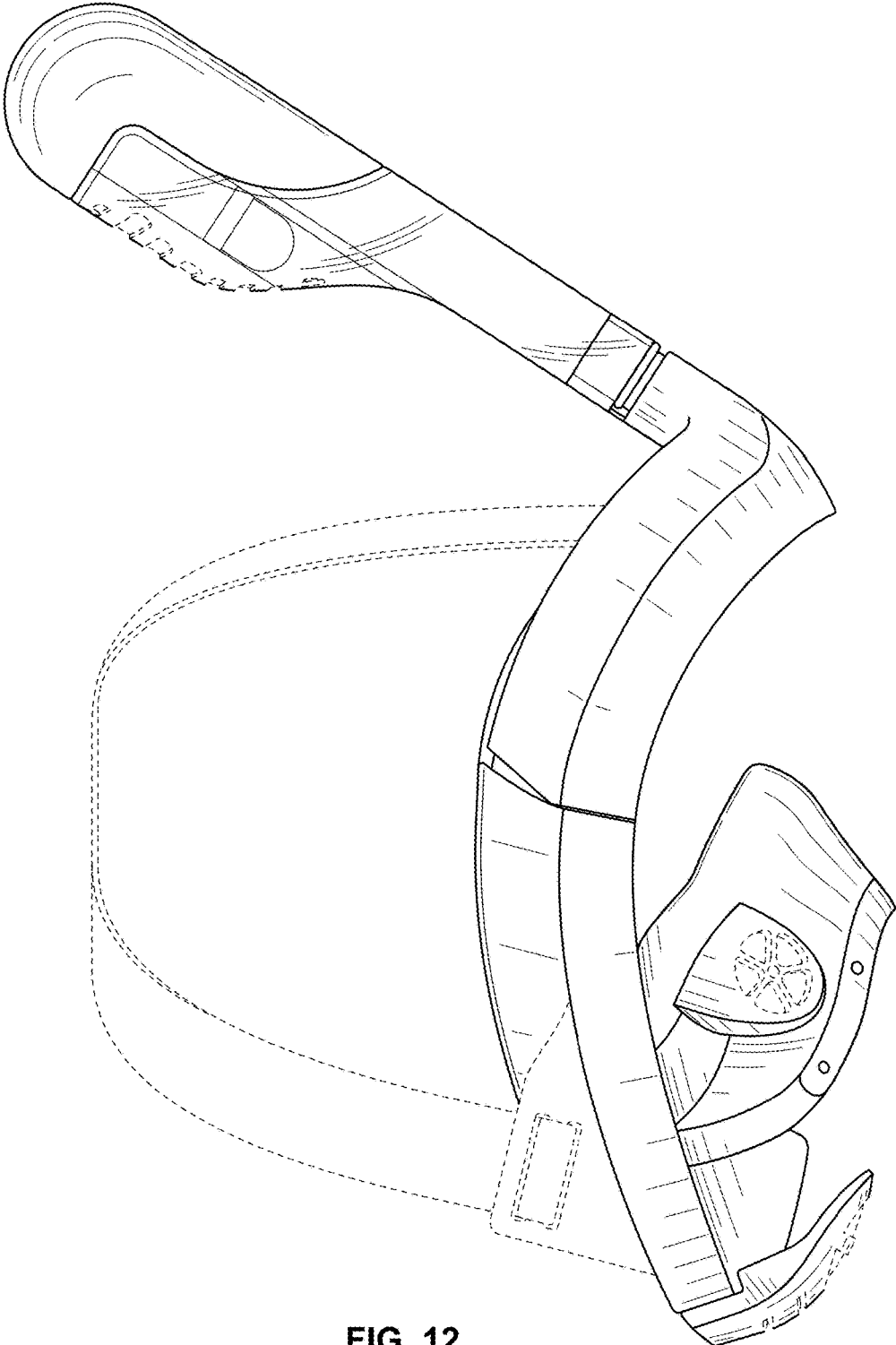


FIG. 12

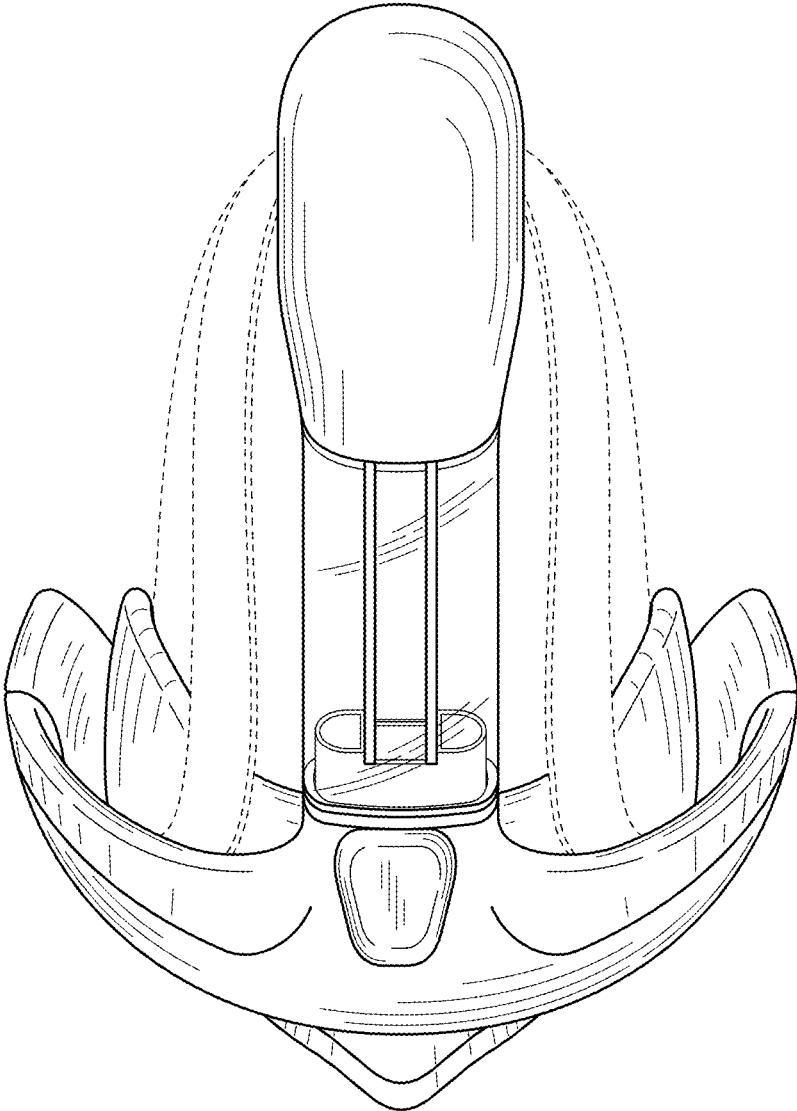


FIG. 13

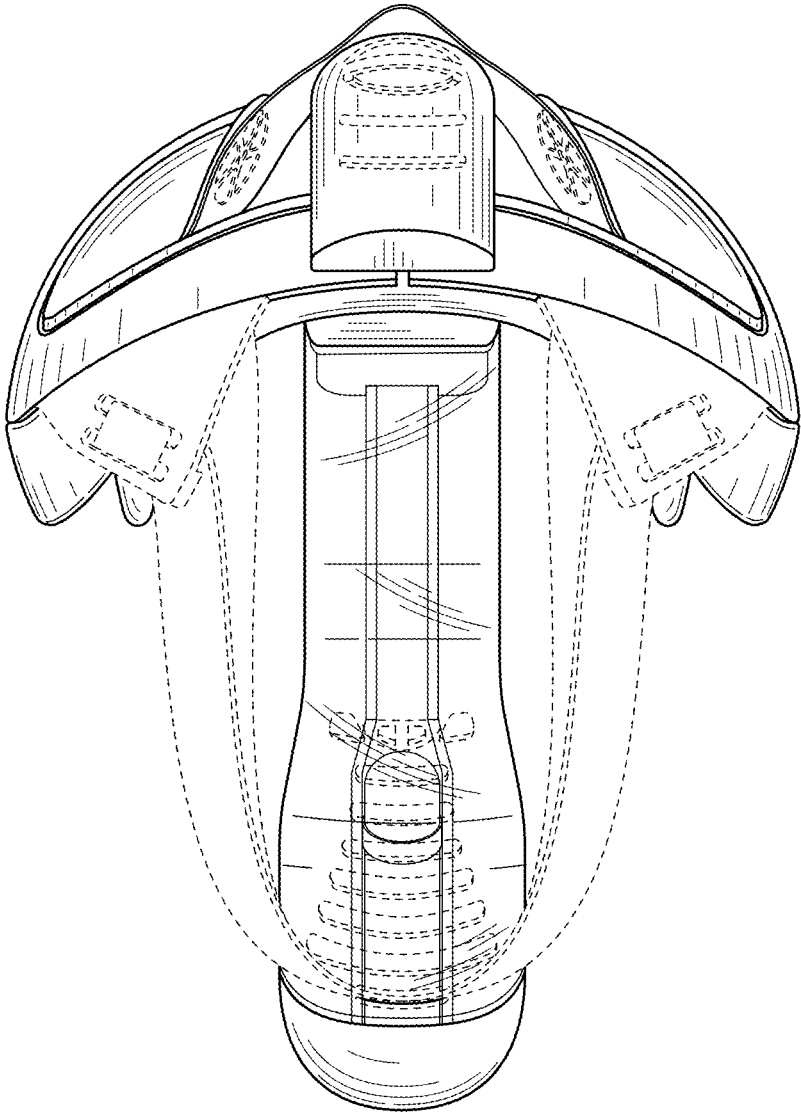


FIG. 14