



US00D367657S

# United States Patent [19]

Sayles et al.

[11] Patent Number: Des. 367,657

[45] Date of Patent: \*\*Mar. 5, 1996

[54] HEATED HANDLE FOR A SNOWBLOWER

5,203,102 4/1993 Motteli ..... 37/251

[76] Inventors: Daniel J. Sayles; Michael Sayles, both of 24 Frantzen Ter., Cheektowaga, N.Y. 14227

### FOREIGN PATENT DOCUMENTS

1082551 6/1954 France ..... 219/204

[\*\*] Term: 14 Years

Primary Examiner—Sandra L. Morris  
Attorney, Agent, or Firm—Terry M. Gernstein

[21] Appl. No.: 25,373

### [57] CLAIM

[22] Filed: Jun. 30, 1994

The ornamental design for a heated handle for a snowblower, as shown and described.

[52] U.S. Cl. .... D15/11; D15/17; D15/28

[58] Field of Search ..... D15/11, 12, 18, D15/28; 74/55.18, 55.19; 219/204; D8/107

### DESCRIPTION

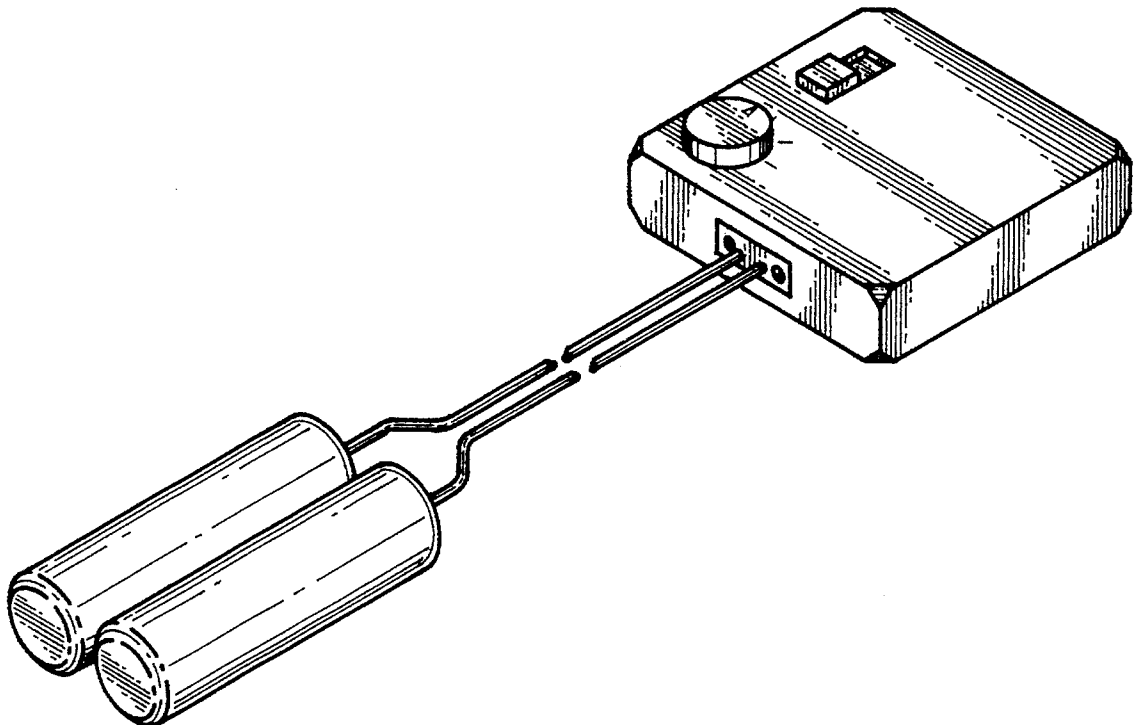
### [56] References Cited

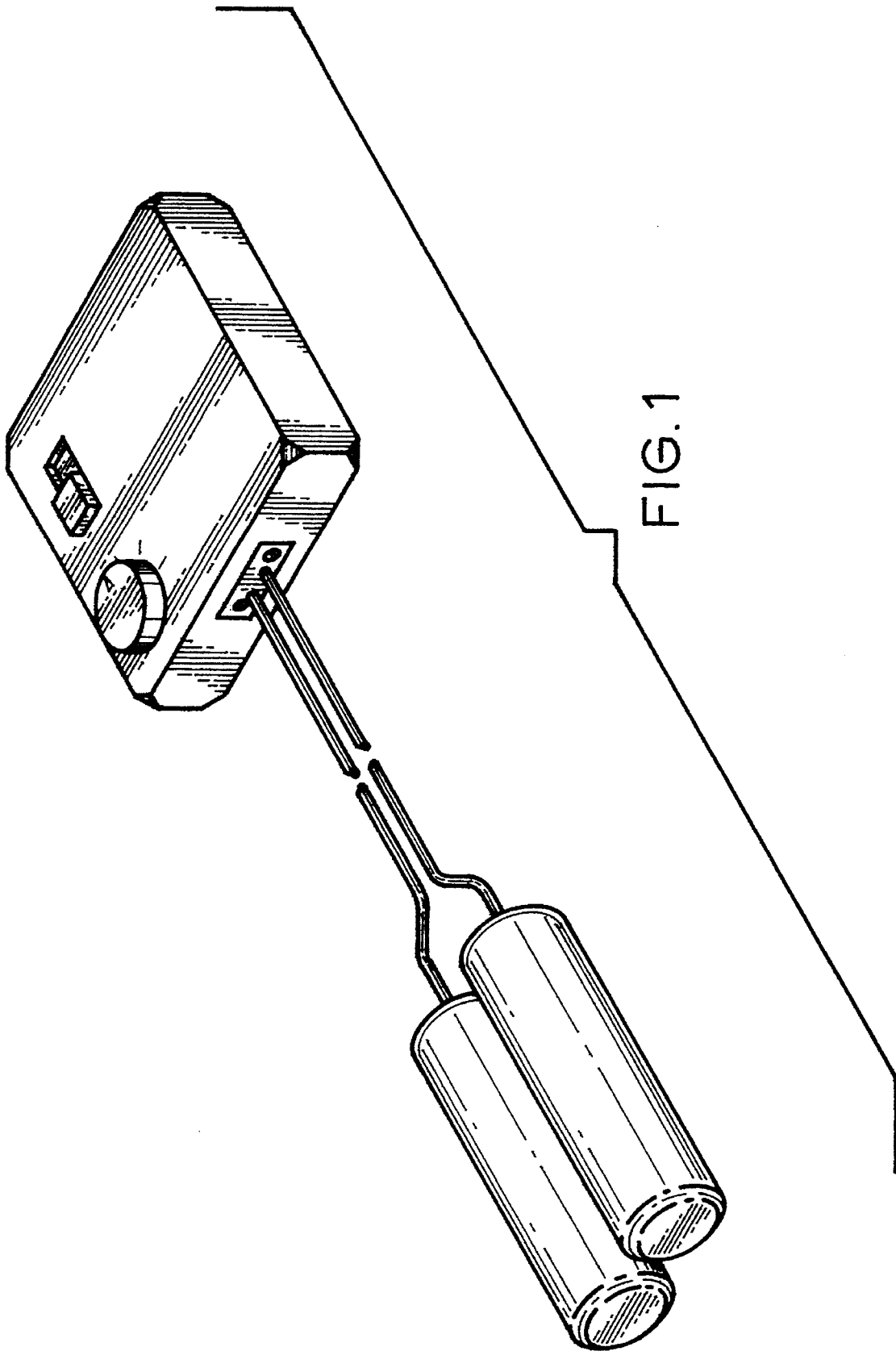
#### U.S. PATENT DOCUMENTS

D. 128,041	7/1941	Funk	.....	D15/18
D. 193,628	9/1962	Rech	.....	D15/18
D. 215,111	9/1969	Gobin et al.	.....	D15/18
744,739	11/1903	Fliess	.....	219/204
2,014,677	9/1935	Williams	.....	219/204
4,391,052	7/1983	Guy, Jr.	.....	37/251
4,471,209	9/1984	Hollander	.....	219/204
4,916,837	4/1990	Olm et al.	.....	37/251
4,937,429	6/1990	Hollander	.....	219/204

FIG. 1 is a front, top and side perspective view of the heated handle for a snowblower showing our new design, the electrical leads between the control unit and the handles being broken to show indeterminate length; FIG. 2 is a front elevational view thereof; FIG. 3 is a rear elevational view thereof; FIG. 4 is a side elevational view thereof, the side opposite being a mirror image of the side shown in FIG. 4; FIG. 5 is a top plan view thereof; and, FIG. 6 is a bottom plan view thereof.

1 Claim, 3 Drawing Sheets





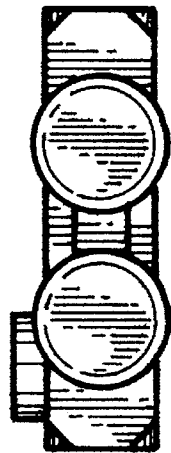


FIG. 2



FIG. 3

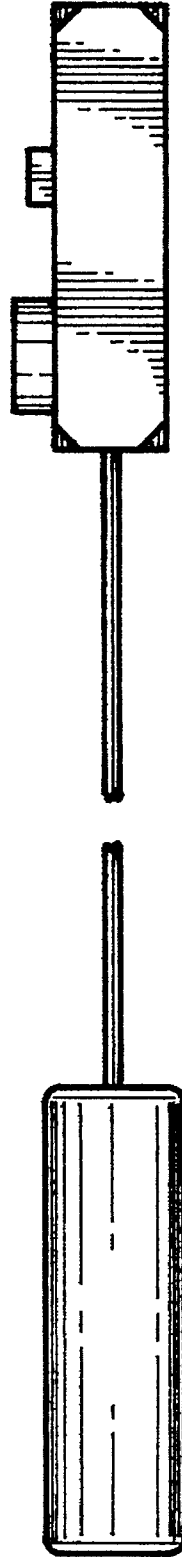


FIG. 4

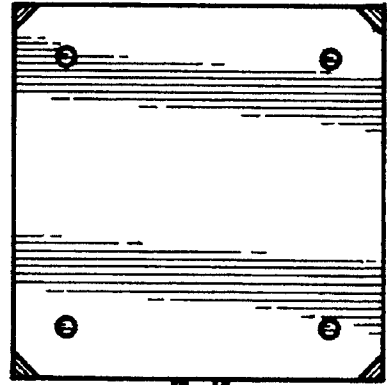
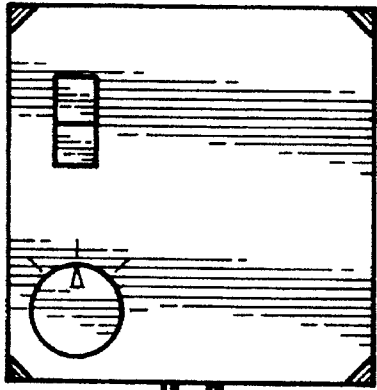


FIG. 5  
FIG. 6

