



US0D1069589S

(12) **United States Design Patent**
Gorman et al.

(10) **Patent No.:** **US D1,069,589 S**
(45) **Date of Patent:** **** Apr. 8, 2025**

(54) **CONTAINER**

FOREIGN PATENT DOCUMENTS

- (71) Applicant: **G45 LLC**, Naples, FL (US)
- (72) Inventors: **James Gorman**, Naples, FL (US);
Jonathan Gorman, Naples, FL (US)

CN	303089572	*	1/2015
CN	306989955	*	12/2021
HK	2321368-0001	*	5/2023
KR	301139288.0000	*	11/2021
WO	WOD039129-001	*	4/1997

(73) Assignee: **G45 LLC**, Naples, FL (US)

OTHER PUBLICATIONS

(**) Term: **15 Years**

Kenobee 12oz Standard Can Sleeves_Amazon.ca, [date first available: Jun. 28, 2023], [date found online: May 14, 2024], <https://www.amazon.ca/dp/B0C9LVP8W7> (Year: 2023).*

Desing Wish 4 Pack 12oz Slim Can Cooler Sleeves_Amazon.ca, [date first available: Sep. 1, 2023], [date found online: May 14, 2024], <https://www.amazon.ca/Desing-Wish-Standard-Non-slip-Insulator/dp/B0CGJFZXTB?th=1> (Year: 2023).*

(21) Appl. No.: **29/856,709**

(22) Filed: **Oct. 17, 2022**

(51) **LOC (15) Cl.** **07-09**

(52) **U.S. Cl.**

USPC **D7/619.2; D7/624.2**

(58) **Field of Classification Search**

USPC D9/600, 537, 540, 548, 549, 551–553,
D9/641; D7/514–516, 519, 560,
D7/606–608, 619.2, 624.2, 624.3, 625;
D19/84

CPC B65D 81/36; B65D 81/60; B65D 81/365;
B65D 1/0223; B65D 81/3876; A63H
33/16

See application file for complete search history.

* cited by examiner

Primary Examiner — Catherine S Posthauer
Assistant Examiner — Katherine E Morris
(74) *Attorney, Agent, or Firm* — Shumaker, Loop & Kendrick, LLP

(57) **CLAIM**

The ornamental design for a container, as shown and described.

DESCRIPTION

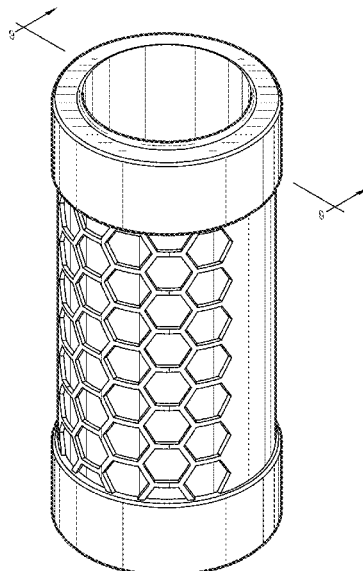
FIG. 1 is a perspective view of the new design for a container;
FIG. 2 is a bottom perspective view thereof;
FIG. 3 is a front view thereof;
FIG. 4 is a right side view thereof;
FIG. 5 is a back view thereof;
FIG. 6 is a left side view thereof;
FIG. 7 is a top view thereof;
FIG. 8 is a bottom view thereof; and,
FIG. 9 is a cross-sectional view thereof.

1 Claim, 8 Drawing Sheets

(56) **References Cited**

U.S. PATENT DOCUMENTS

D618,065	S	*	6/2010	Joy	D7/624.2
D629,259	S	*	12/2010	Joy	D7/624.2
D708,484	S	*	7/2014	Bishop	D7/624.2
D808,827	S	*	1/2018	Witt	B65D 1/265 D7/532
D867,156	S	*	11/2019	Morehead	D9/600
D998,347	S	*	9/2023	Park	D4/128
D1,004,371	S	*	11/2023	Dolan, II	D9/500
D1,007,969	S	*	12/2023	Mammoser	D7/619.2
D1,014,096	S	*	2/2024	Saluzzo	D4/128



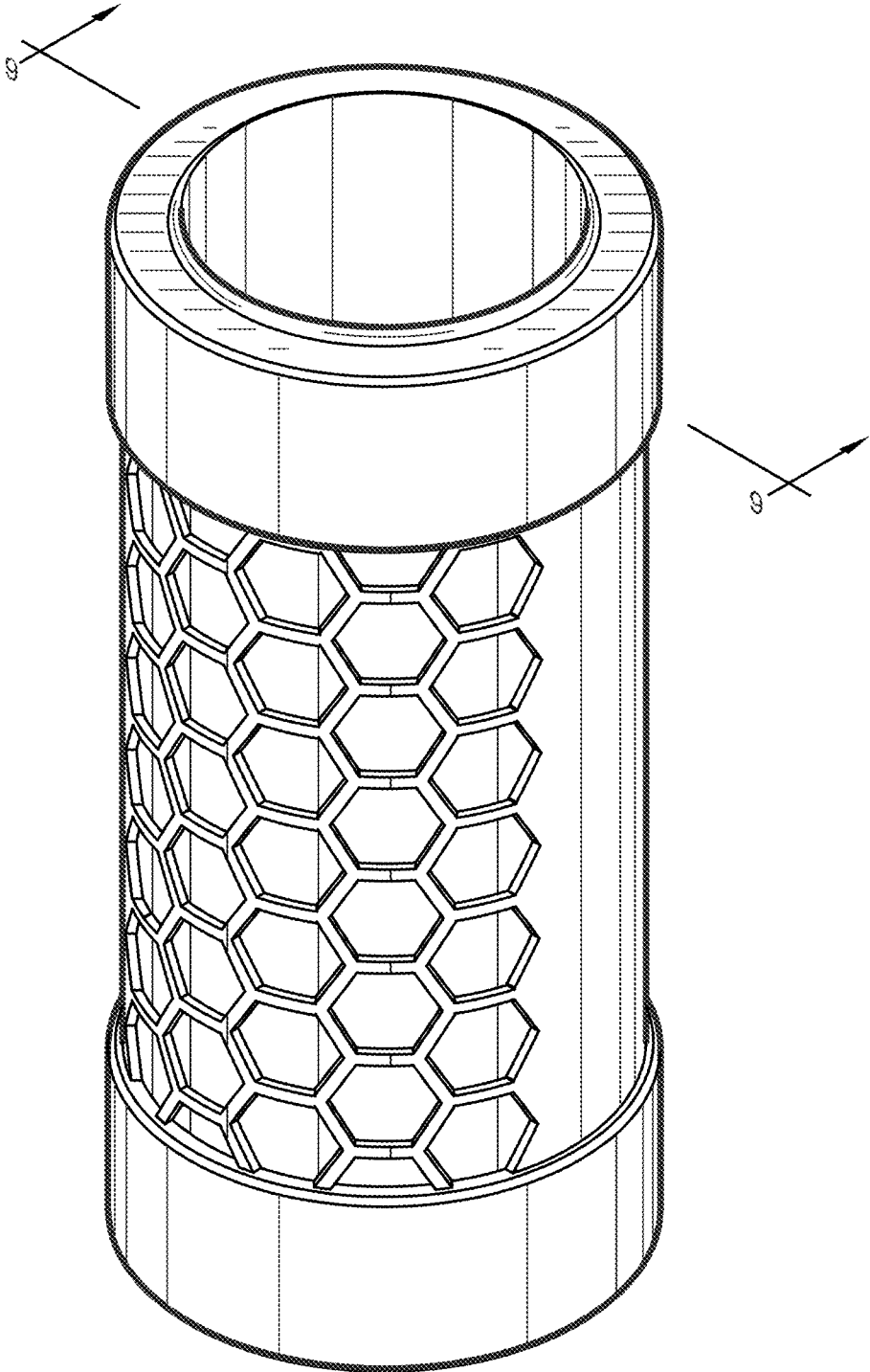


FIG. 1

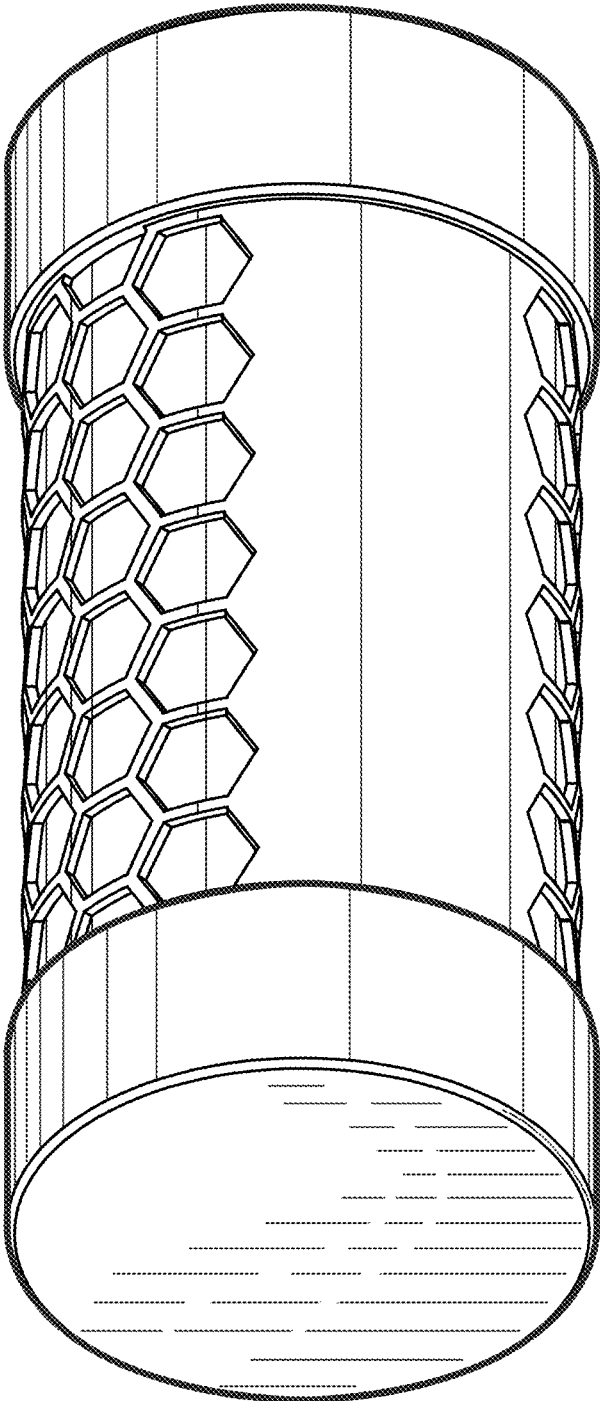


FIG. 2

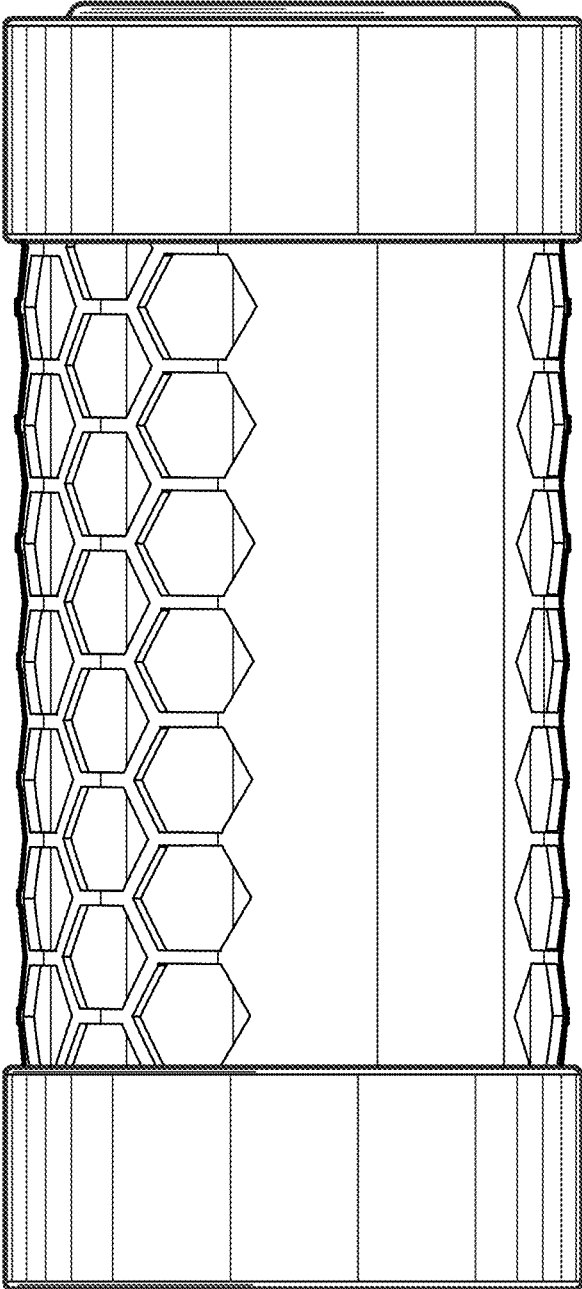


FIG. 3

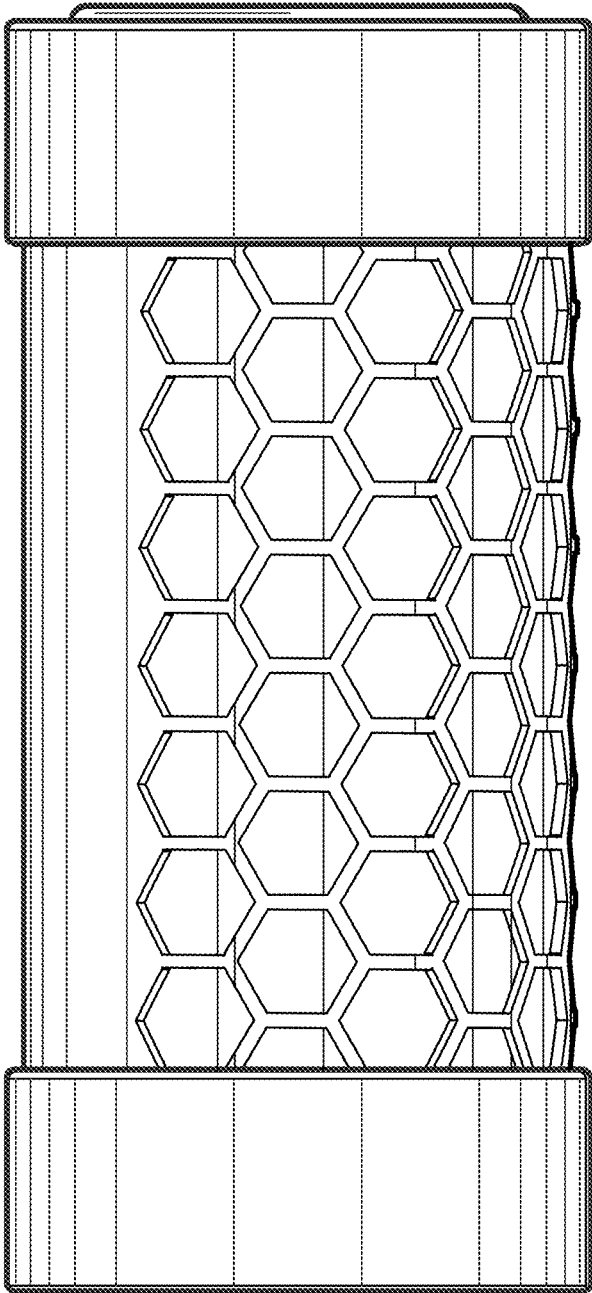


FIG. 4

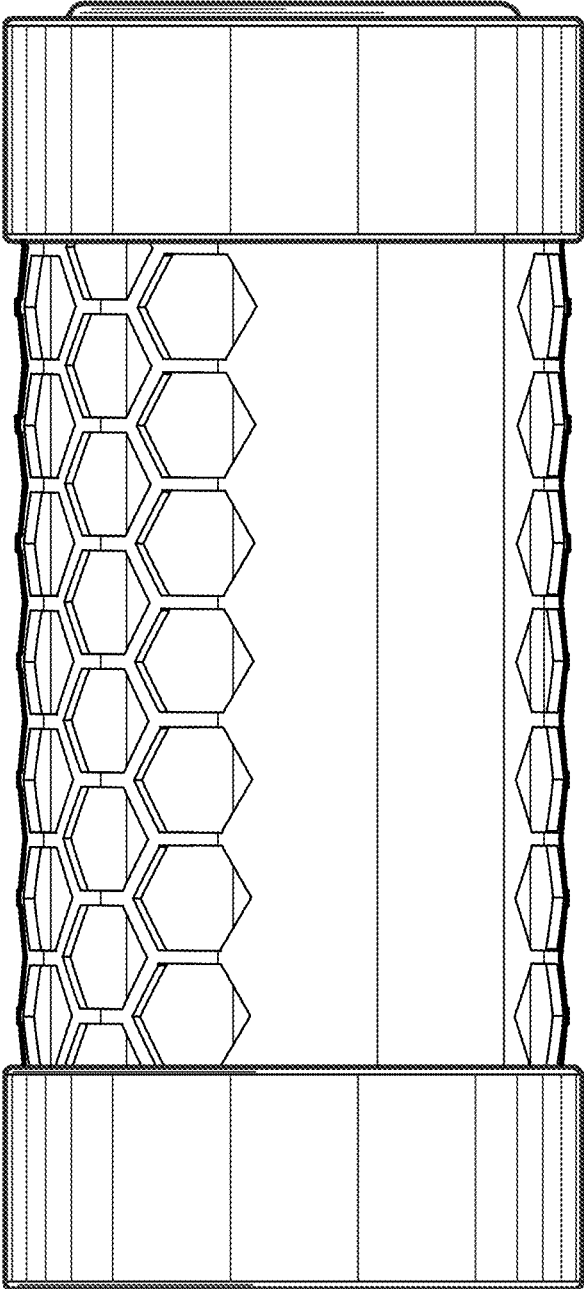


FIG. 5

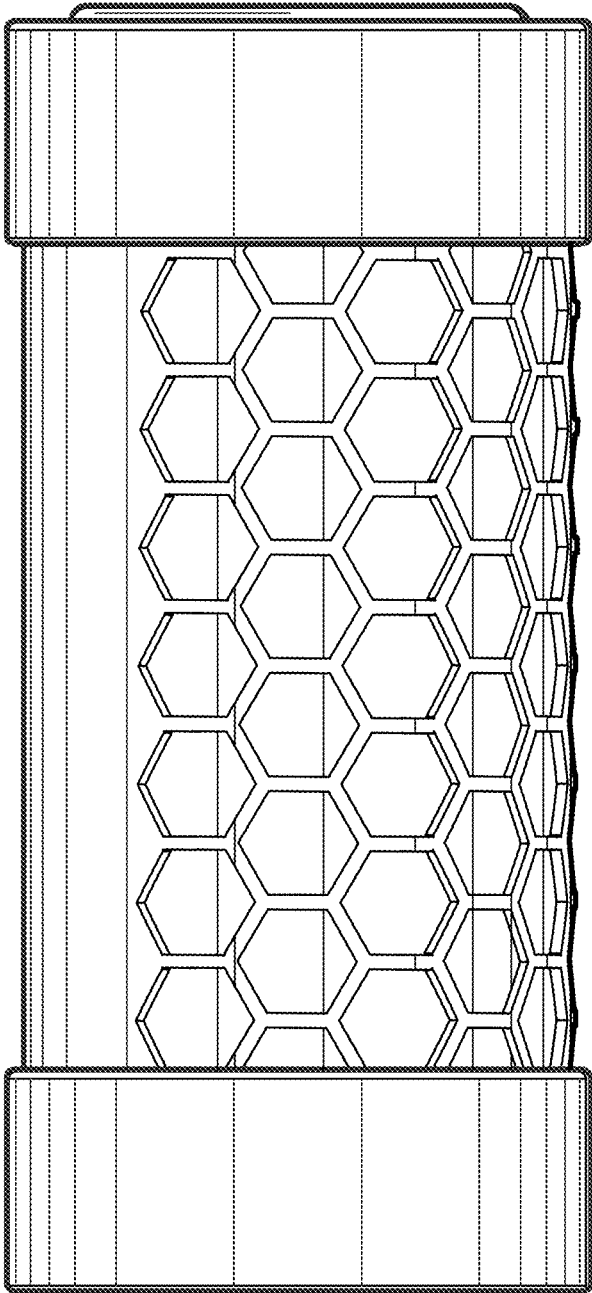


FIG. 6

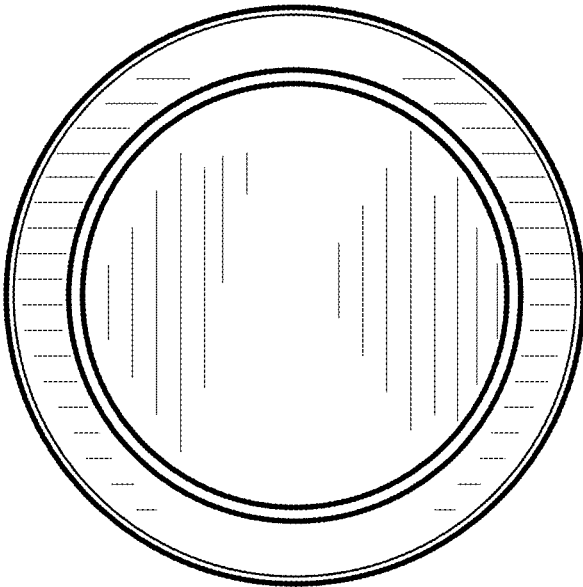


FIG. 7

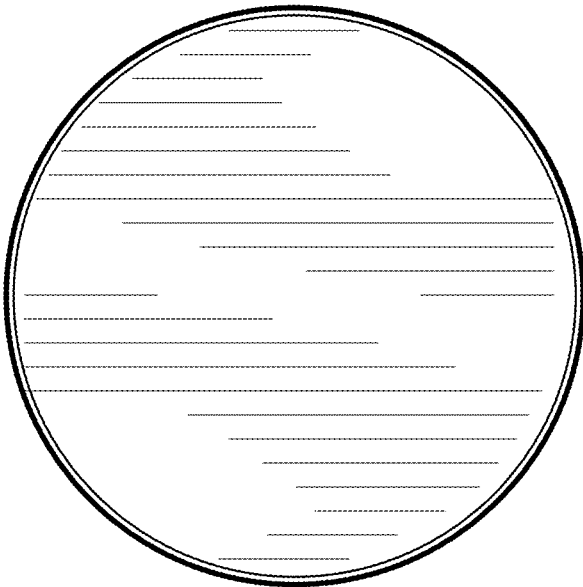


FIG. 8

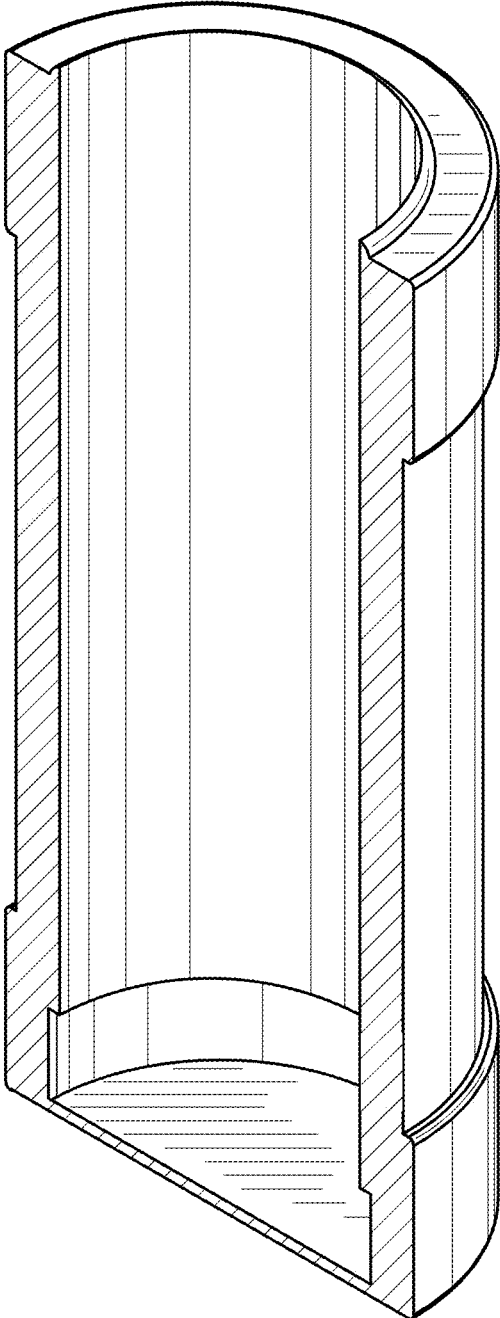


FIG. 9