



US00D341297S

# United States Patent [19]

[11] Patent Number: **Des. 341,297**

Martner

[45] Date of Patent: **\*\* Nov. 16, 1993**

[54] **LIFTING TOOL FOR A BARBEQUE GRILL**

3,409,935 11/1968 Wishnick ..... 294/27.1

[76] Inventor: **John D. Martner**, Rte. 1, Box 1, 125 Somonauk Rd., Somonauk, Ill. 60552

*Primary Examiner*—Terry A. Pfeffer  
*Attorney, Agent, or Firm*—Mathew R. P. Perrone, Jr.

[\*\*] Term: **14 Years**

[57] **CLAIM**

[21] Appl. No.: **836,445**

The ornamental design for a lifting tool for a barbeque grill, as shown and described.

[22] Filed: **Feb. 18, 1992**

**DESCRIPTION**

[52] U.S. Cl. .... **D7/688**

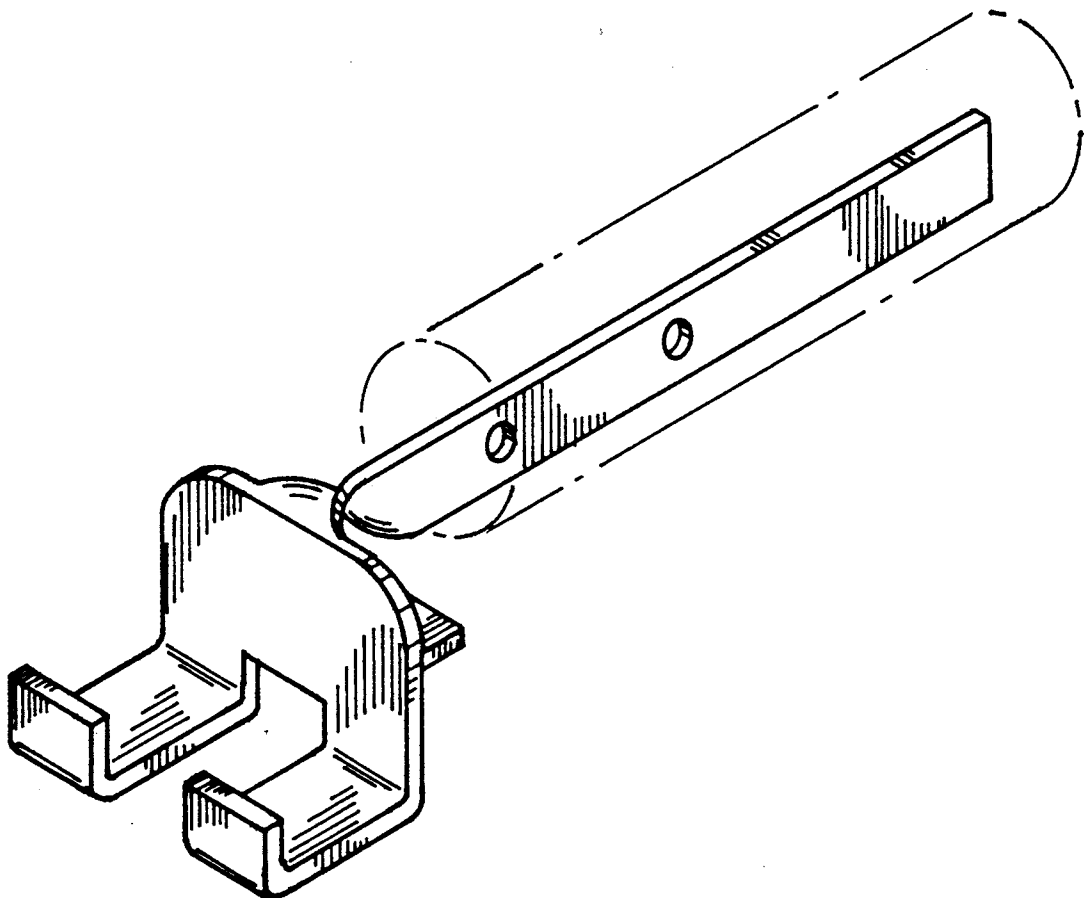
[58] Field of Search ..... **D7/688-690, D7/669, 395; D8/40; 294/6, 12, 27.1, 28**

FIG. 1 is a perspective view of the lifting tool for a barbeque grill showing my new design; FIG. 2 is a top plan view thereof; FIG. 3 is a side elevational view thereof; FIG. 4 is a bottom plan view thereof; and, FIG. 5 is a front elevational view thereof. The handle is shown in broken lines for illustrative purposes only.

[56] **References Cited**

**U.S. PATENT DOCUMENTS**

1,083,808 1/1914 Dunson ..... 294/27.1  
1,254,551 1/1918 Tucker ..... D7/690 X



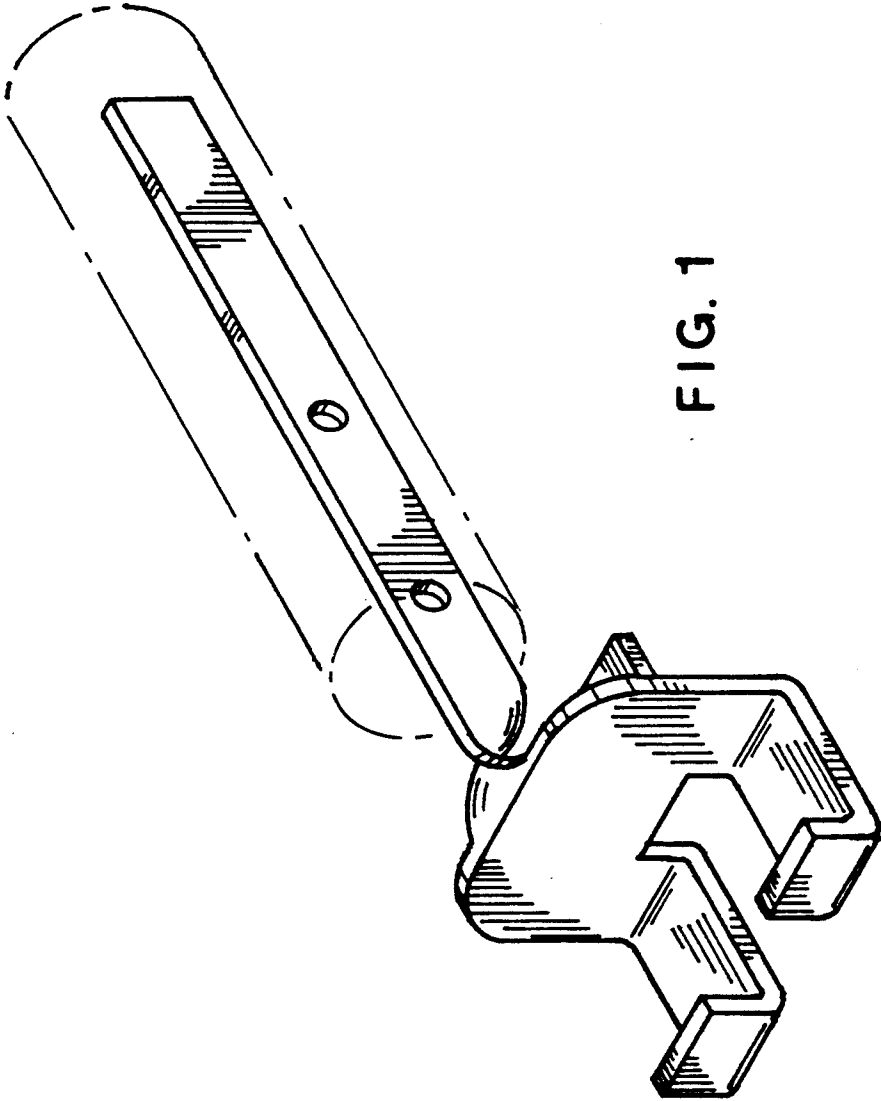


FIG. 1

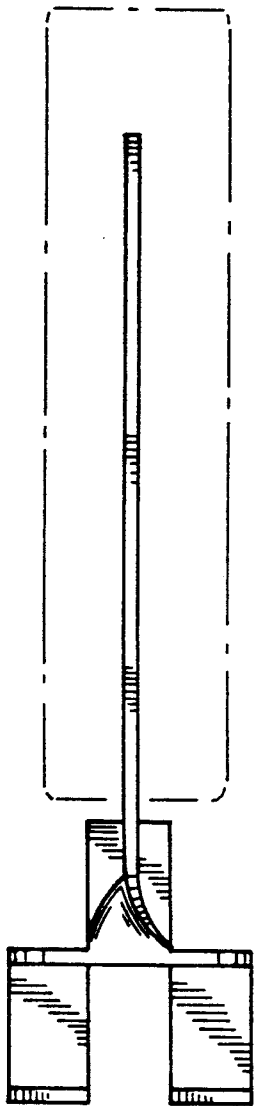


FIG. 2

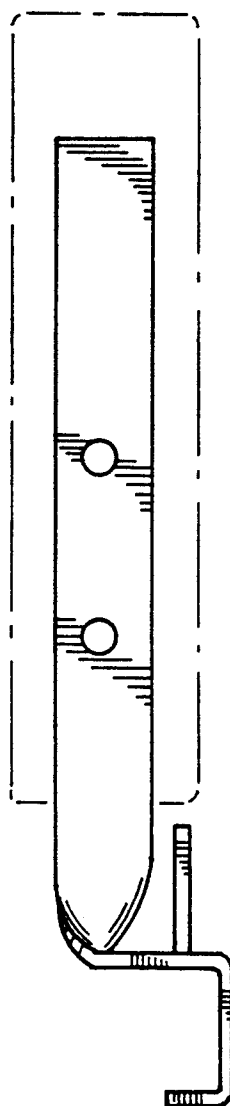


FIG. 3

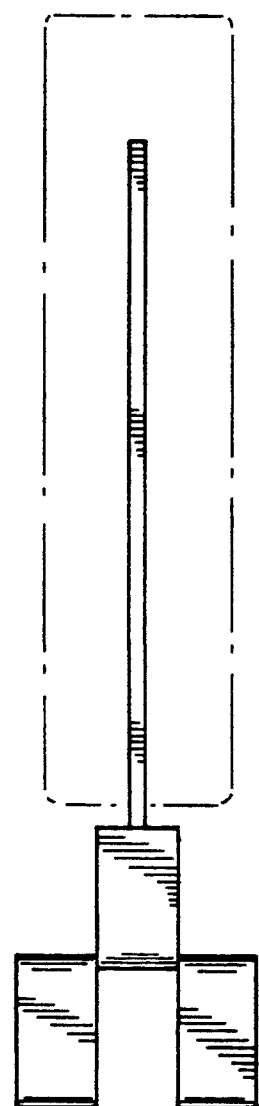


FIG. 4

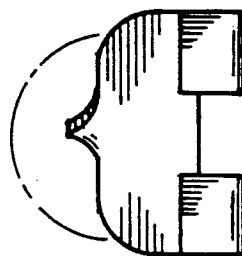


FIG. 5