



US00D592199S

(12) **United States Design Patent**
Bolton et al.

(10) **Patent No.:** **US D592,199 S**

(45) **Date of Patent:** **** May 12, 2009**

(54) **SET OF KEY BUTTONS FOR A HANDSET**

(75) Inventors: **Charlie Bolton**, Surrey (GB); **Iain Pottie**, Berkshire (GB); **Anton Fahlgren**, Copenhagen (DK); **Sean Prior**, Surrey (GB)

(73) Assignee: **Nokia Corporation**, Espoo (FI)

(**) Term: **14 Years**

(21) Appl. No.: **29/328,006**

(22) Filed: **Nov. 17, 2008**

Related U.S. Application Data

(62) Division of application No. 29/282,672, filed on Jul. 26, 2007, now Pat. No. Des. 580,902.

Foreign Application Priority Data

Jan. 26, 2007 (FI) M20070023

(51) **LOC (9) Cl.** **14-03**

(52) **U.S. Cl.** **D14/247**

(58) **Field of Classification Search** D14/137-138, D14/147-148, 156, 218, 247-248, 341-347, D14/390, 399, 455-456, 496, 138 R, 138 AA, D14/138 AB, 138 AC, 138 AD, 138 C, 138 G, D14/191; D16/208; D21/329, 331, 333, D21/517; 348/14.01-14.02; 361/814; 379/433.01-433.13; 455/90.3, 556.1-556.2, 566, 575.1, 575.3, 455/575.4; D13/164, 168; 439/165; 343/702; D10/65, 78, 104; D18/7; 345/169

See application file for complete search history.

(56) **References Cited**

U.S. PATENT DOCUMENTS

6,438,229 B1 8/2002 Overy et al.
D507,562 S * 7/2005 Kim D14/247
D525,229 S 7/2006 Friesen et al.
D536,681 S 2/2007 Surtouc
D538,252 S 3/2007 Joung

D539,257 S 3/2007 Obata et al.
D539,791 S * 4/2007 Sheu D14/247
D540,773 S 4/2007 Meng et al.
D544,474 S * 6/2007 Kim et al. D14/247
D545,800 S 7/2007 Ou et al.
D546,314 S 7/2007 Im
D549,208 S 8/2007 Huang et al.
D549,699 S * 8/2007 Bower D14/247
D550,220 S * 9/2007 Lyles D14/247
D558,179 S 12/2007 Hansen

(Continued)

FOREIGN PATENT DOCUMENTS

WO DM/067919 5/2006
WO DM/067167 7/2007

OTHER PUBLICATIONS

Asus V75, announced May 2006, <URL:http://www.gsmarena.com/asus_v75-pictures-1729.php>, retrieved from internet Feb. 15, 2009.*

(Continued)

Primary Examiner—Ian Simmons
Assistant Examiner—Carla Jobe Wright

(74) *Attorney, Agent, or Firm*—Banner & Witcoff, Ltd.

(57) **CLAIM**

The ornamental design for a set of key buttons for a handset, as shown and described.

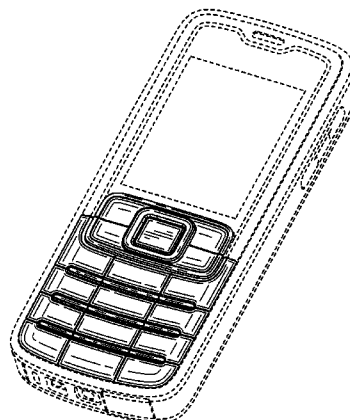
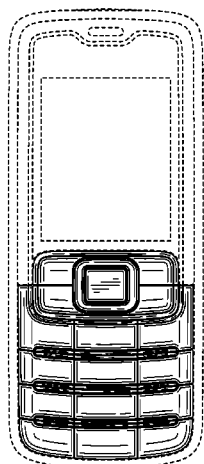
DESCRIPTION

FIG. 1 is a front view of a set of key buttons for a handset showing our new design in the broken line environment of a handset; and,

FIG. 2 is a perspective front view thereof.

The broken line showing of the remainder of the handset is for illustrative purposes only and forms no portion of the claimed design.

1 Claim, 1 Drawing Sheet



U.S. PATENT DOCUMENTS

D558,707	S	1/2008	Travis et al.	
D560,215	S *	1/2008	Di et al.	D14/247
D563,379	S	3/2008	Mai et al.	
D566,699	S *	4/2008	Mitchell et al.	D14/247
D570,340	S *	6/2008	Sheu et al.	D14/247
D570,341	S *	6/2008	Cobb et al.	D14/247
D571,363	S *	6/2008	Hering et al.	D14/247
D577,011	S *	9/2008	Huang et al.	D14/247
D584,298	S *	1/2009	Eguchi	D14/247
2005/0140778	A1 *	6/2005	Kim et al.	348/14.02
2007/0294633	A1	12/2007	Aarras et al.	

OTHER PUBLICATIONS

Vodafone 226, announced Jul. 2007, <URL:http://www.gsmarena.com/vodafone_226-2451.php>, retrieved from internet Feb. 15, 2009.*

BenQ-Siemens E61, announced Mar. 2006, <URL:http://www.gsmarena.com/benq_siemens_e61-pictures-1502.php>, retrieved from internet Feb. 15, 2009.*

Phillips 768, announced 4Q, <URL:http://www.gsmarena.com/phillips_768-pictures-1386.php>, retrieved from internet Apr. 18, 2008.

Samsung X700, announced 2Q 2005, <URL:http://www.gsmarena.com/samsung_x700-pictures-1298.php>, retrieved from internet Apr. 18, 2008.

Nokia Model # 1112, Nokia Corporation, 5 color sheets of photographs, disclosed on or about Mar. 2006.

Nokia Model # 2630, Nokia Corporation, 1 color sheet of photographs, disclosed on or about May 2007.

Nokia Model # 3109 classic, Nokia Corporation, 1 color sheet of photographs, disclosed on or about May 2007.

Nokia Model # 3110 classic, Nokia Corporation, 1 color sheet of photographs, disclosed on or about Feb. 2007.

Nokia Model # 5070, Nokia Corporation, 2 color sheets of photographs, disclosed on or about Mar. 2007.

Nokia Model # 5310, Nokia Corporation, 2 color sheets of photographs, disclosed on or about Aug. 2007.

Nokia Model # 5700, Nokia Corporation, 2 color sheets of photographs, disclosed on or about Mar. 2007.

Nokia Model # 6070, Nokia Corporation, 3 color sheets of photographs, disclosed on or about Feb. 2006.

Nokia Model # 6120, Nokia Corporation, 1 color sheet of photographs, disclosed on or about Apr. 2007.

Nokia Model # 6151, Nokia Corporation, 1 color sheet of photographs, disclosed on or about Jun. 2006.

Nokia Model # 7360, Nokia Corporation, 4 color sheets of photographs, disclosed on or about Oct. 2005.

Nokia Model # N72, Nokia Corporation, 2 color sheets of photographs, disclosed on or about Apr. 2006.

Nokia Model # N95, Nokia Corporation, 7 color sheets of photographs, disclosed on or about Sep. 2006.

* cited by examiner

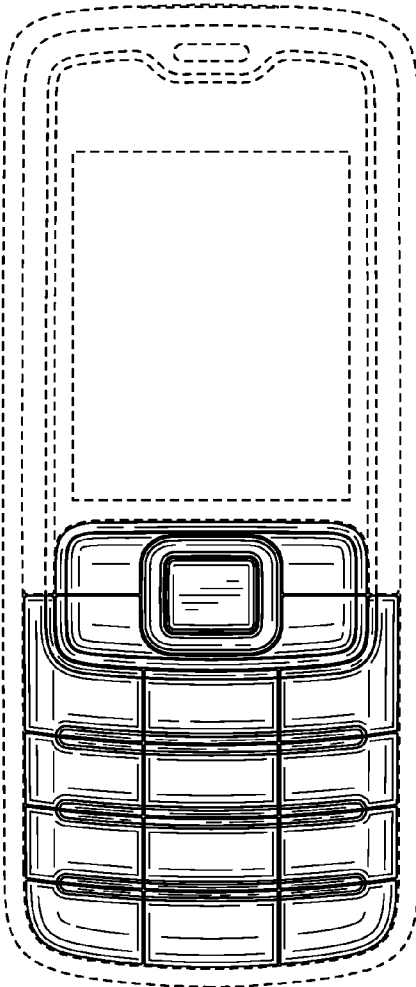


FIG. 1

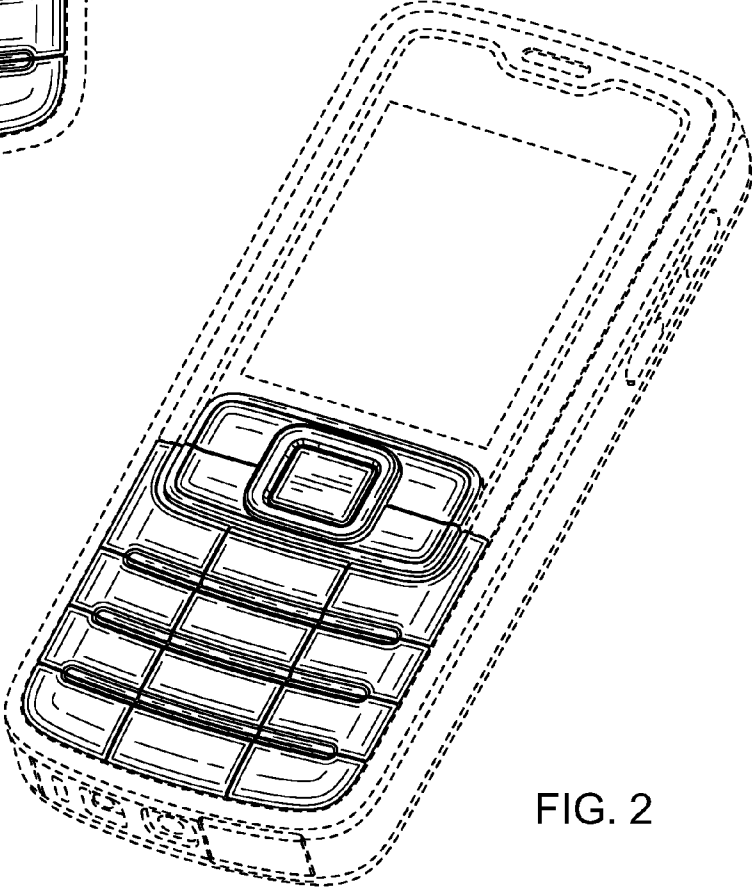


FIG. 2