



(51) International Patent Classification:
A61F 2/16 (2006.01)

(21) International Application Number:
PCT/IL2009/000728

(22) International Filing Date:
26 July 2009 (26.07.2009)

(25) Filing Language: English

(26) Publication Language: English

(30) Priority Data:
193021 24 July 2008 (24.07.2008) IL
197742 22 March 2009 (22.03.2009) IL

(71) Applicant (for all designated States except US): NULENS LTD [IL/IL]; 15 Maskit Street, POBox 2225, 46121 Herzliya (IL).

(72) Inventor; and

(75) Inventor/Applicant (for US only): BEN NUN, Joshua [IL/IL]; Moshav Beit Herut 1/A, 40291 D. N. Vitkin (IL).

(81) Designated States (unless otherwise indicated, for every kind of national protection available): AE, AG, AL, AM,

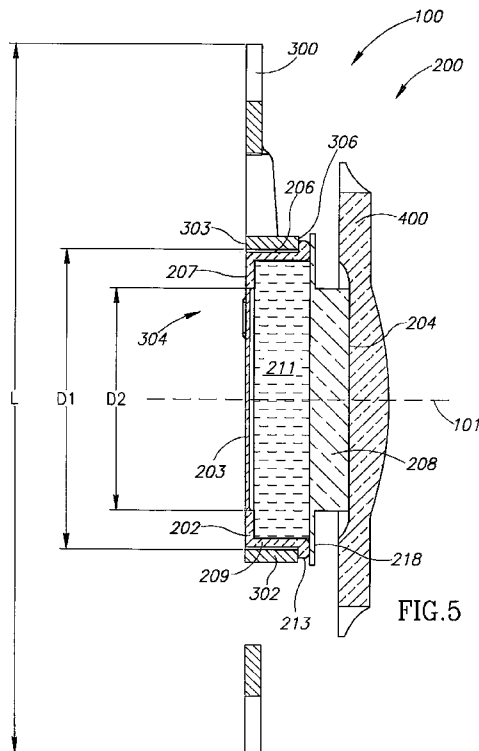
AO, AT, AU, AZ, BA, BB, BG, BH, BR, BW, BY, BZ, CA, CH, CL, CN, CO, CR, CU, CZ, DE, DK, DM, DO, DZ, EC, EE, EG, ES, FI, GB, GD, GE, GH, GM, GT, HN, HR, HU, ID, IL, IN, IS, JP, KE, KG, KM, KN, KP, KR, KZ, LA, LC, LK, LR, LS, LT, LU, LY, MA, MD, ME, MG, MK, MN, MW, MX, MY, MZ, NA, NG, NI, NO, NZ, OM, PE, PG, PH, PL, PT, RO, RS, RU, SC, SD, SE, SG, SK, SL, SM, ST, SV, SY, TJ, TM, TN, TR, TT, TZ, UA, UG, US, UZ, VC, VN, ZA, ZM, ZW.

(84) Designated States (unless otherwise indicated, for every kind of regional protection available): ARIPO (BW, GH, GM, KE, LS, MW, MZ, NA, SD, SL, SZ, TZ, UG, ZM, ZW), Eurasian (AM, AZ, BY, KG, KZ, MD, RU, TJ, TM), European (AT, BE, BG, CH, CY, CZ, DE, DK, EE, ES, FI, FR, GB, GR, HR, HU, IE, IS, IT, LT, LU, LV, MC, MK, MT, NL, NO, PL, PT, RO, SE, SI, SK, SM, TR), OAPI (BF, BJ, CF, CG, CI, CM, GA, GN, GQ, GW, ML, MR, NE, SN, TD, TG).

Published:
— with international search report (Art. 21(3))

[Continued on next page]

(54) Title: ACCOMMODATING INTRAOCULAR LENS (AIOL) CAPSULES



(57) Abstract: Accommodating intraocular lens (AIOL) capsules having a continuously variable Diopter strength between a first Diopter strength in a non-compressed state and a second Diopter strength different than its first Diopter strength in a compressed state. The AIOL capsules include an anterior capsule plate, a posterior capsule plate, and a capsule ring for bounding a hermetic cavity filled with a capsule filling. The anterior capsule plate is intended to anteriorly bulge along the human eye's visual axis on application of an axial compression force against the posterior capsule plate from a posterior direction.

WO 2010/010565 A3

— *before the expiration of the time limit for amending the claims and to be republished in the event of receipt of amendments (Rule 48.2(h))*

(88) Date of publication of the international search report:
15 July 2010

INTERNATIONAL SEARCH REPORT

International application No
PCT/IL2009/000728

A. CLASSIFICATION OF SUBJECT MATTER

INV. A61F2/16
ADD.

According to International Patent Classification (IPC) or to both national classification and IPC

B. FIELDS SEARCHED

Minimum documentation searched (classification system followed by classification symbols)
A61F

Documentation searched other than minimum documentation to the extent that such documents are included in the fields searched

Electronic data base consulted during the international search (name of data base and, where practical, search terms used)

EPO-Internal, WPI Data

C. DOCUMENTS CONSIDERED TO BE RELEVANT

Category*	Citation of document, with indication, where appropriate, of the relevant passages	Relevant to claim No.
Y	WO 2005/104994 A2 (NULENS LTD [IL]; BEN NUN JOSHUA [IL]) 10 November 2005 (2005-11-10) cited in the application page 2, line 28 - page 3, line 6 page 5, line 2 - page 7, line 25 page 9, line 15 - page 10, line 2 figures 1-16	1-3,7,9, 10
Y	US 2007/129801 A1 (CUMMING J S [US]) 7 June 2007 (2007-06-07) paragraphs [0015] - [0017]; figures 1,4	1-3,7,9, 10
A	WO 2006/103674 A2 (NULENS LTD [IL]; BEN NUN JOSHUA [IL]) 5 October 2006 (2006-10-05) cited in the application the whole document	1-16
	----- -/--	

 Further documents are listed in the continuation of Box C. See patent family annex.

* Special categories of cited documents :

- "A" document defining the general state of the art which is not considered to be of particular relevance
- "E" earlier document but published on or after the international filing date
- "L" document which may throw doubts on priority claim(s) or which is cited to establish the publication date of another citation or other special reason (as specified)
- "O" document referring to an oral disclosure, use, exhibition or other means
- "P" document published prior to the international filing date but later than the priority date claimed

- "T" later document published after the international filing date or priority date and not in conflict with the application but cited to understand the principle or theory underlying the invention
- "X" document of particular relevance; the claimed invention cannot be considered novel or cannot be considered to involve an inventive step when the document is taken alone
- "Y" document of particular relevance; the claimed invention cannot be considered to involve an inventive step when the document is combined with one or more other such documents, such combination being obvious to a person skilled in the art.
- "&" document member of the same patent family

Date of the actual completion of the international search

26 May 2010

Date of mailing of the international search report

01/06/2010

Name and mailing address of the ISA/

European Patent Office, P.B. 5818 Patentlaan 2
NL - 2280 HV Rijswijk
Tel. (+31-70) 340-2040,
Fax: (+31-70) 340-3016

Authorized officer

Geuer, Melanie

INTERNATIONAL SEARCH REPORT

International application No
PCT/IL2009/000728

C(Continuation). DOCUMENTS CONSIDERED TO BE RELEVANT

Category*	Citation of document, with indication, where appropriate, of the relevant passages	Relevant to claim No.
A,P	WO 2008/107882 A2 (NULENS LTD [IL]; BEN NUN JOSHUA [IL]) 12 September 2008 (2008-09-12) cited in the application the whole document -----	1-16
A,P	WO 2008/097915 A1 (KEY MEDICAL TECHNOLOGIES INC [US]; MENTAK KHALID [US]; STEINACHER BEDA) 14 August 2008 (2008-08-14) paragraphs [0059], [0060]; figures 1-15 -----	1-16

INTERNATIONAL SEARCH REPORT

Information on patent family members

International application No

PCT/IL2009/000728

Patent document cited in search report	Publication date	Patent family member(s)	Publication date	
WO 2005104994	A2	10-11-2005	AU 2005237328 A1	10-11-2005
			CA 2562933 A1	10-11-2005
			CN 1946355 A	11-04-2007
			CN 101642392 A	10-02-2010
			EP 1755492 A2	28-02-2007
			JP 4415046 B2	17-02-2010
			JP 2007534427 T	29-11-2007
			SG 148077 A1	31-12-2008
			US 2008004699 A1	03-01-2008
			US 2007129801	A1
CA 2657952 A1	24-01-2008			
CN 101505684 A	12-08-2009			
EP 2049044 A2	22-04-2009			
JP 2009544368 T	17-12-2009			
KR 20090045256 A	07-05-2009			
WO 2008011589 A2	24-01-2008			
WO 2006103674	A2	05-10-2006		
			CA 2601351 A1	05-10-2006
			EP 1890650 A2	27-02-2008
			JP 2008534111 T	28-08-2008
			US 2008300680 A1	04-12-2008
WO 2008107882	A2	12-09-2008	AU 2008222293 A1	12-09-2008
			CA 2679897 A1	12-09-2008
			CN 101674787 A	17-03-2010
			EP 2120789 A2	25-11-2009
			US 2010121444 A1	13-05-2010
			WO 2008097915	A1
US 2008188930 A1	07-08-2008			