



US00D340554S

United States Patent [19]

[11] Patent Number: Des. 340,554

Wheeler

[45] Date of Patent: ** Oct. 19, 1993

[54] PET FOOD BOWL

[76] Inventor: David C. Wheeler, 240 Tower Rd., Barrington, Ill. 60010

[**] Term: 14 Years

[21] Appl. No.: 902,042

[22] Filed: Jun. 22, 1992

[52] U.S. Cl. D30/129; D7/584

[58] Field of Search 119/61; D30/121, 122, D30/129, 130, 132, 133; D7/584, 555, 557, 605, 608, 597, 541

[56] References Cited

U.S. PATENT DOCUMENTS

D. 151,115	9/1948	Zipser	D7/556
D. 154,671	8/1949	Foley	D7/587
D. 165,637	1/1952	Detzel	D7/555
D. 223,586	5/1972	Burden	D7/555
D. 285,498	9/1986	Thibault	D30/132
D. 323,765	2/1992	Corthum	D7/556
1,582,723	4/1926	Ahlman	119/61
2,178,812	11/1939	Schade	D30/129
3,076,435	2/1963	Seymour	119/61
3,152,576	10/1964	Faurot	D30/129

FOREIGN PATENT DOCUMENTS

821389 12/1937 France 119/61

OTHER PUBLICATIONS

Deutsche Goldschmiede-Zeitung; Jul. 1961; p. 414-top panel left side.

H. Barrow Co., Inc. Hotel & Ship Supplies Catalog; #1947, p. 148, item low stone jars.

Primary Examiner—A. Hugo Word

Assistant Examiner—Cathy Anne MacCormac

Attorney, Agent, or Firm—Jeffrey M. Morris

[57] CLAIM

The ornamental design for a pet food bowl, as shown and described.

DESCRIPTION

FIG. 1 is a top and partial front and side perspective view of a pet food bowl, showing my new design;

FIG. 2 is a top plan view thereof;

FIG. 3 is a front elevational view thereof;

FIG. 4 is a left side elevational view thereof, the right side elevational view thereof being a mirror image of the left side elevational view;

FIG. 5 is a rear elevational view thereof; and,

FIG. 6 is a bottom plan view thereof.

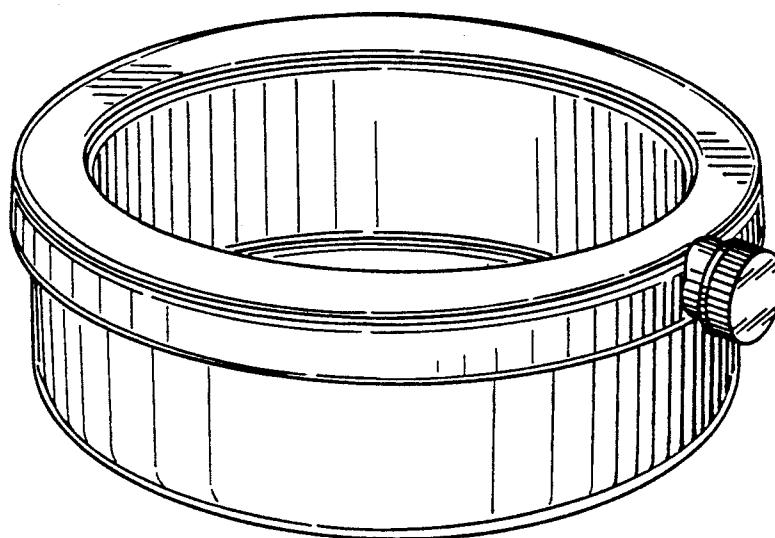


Fig. 1

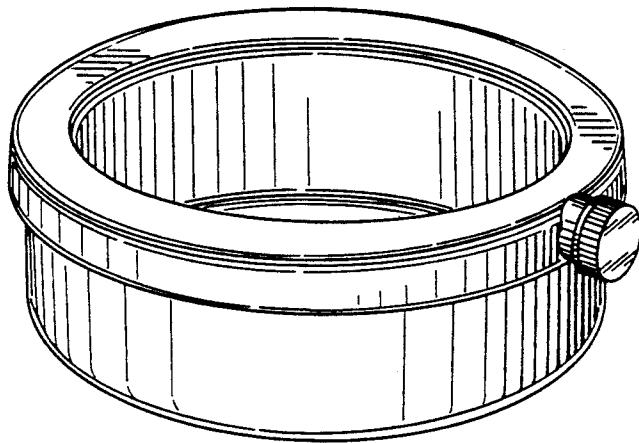


Fig. 2

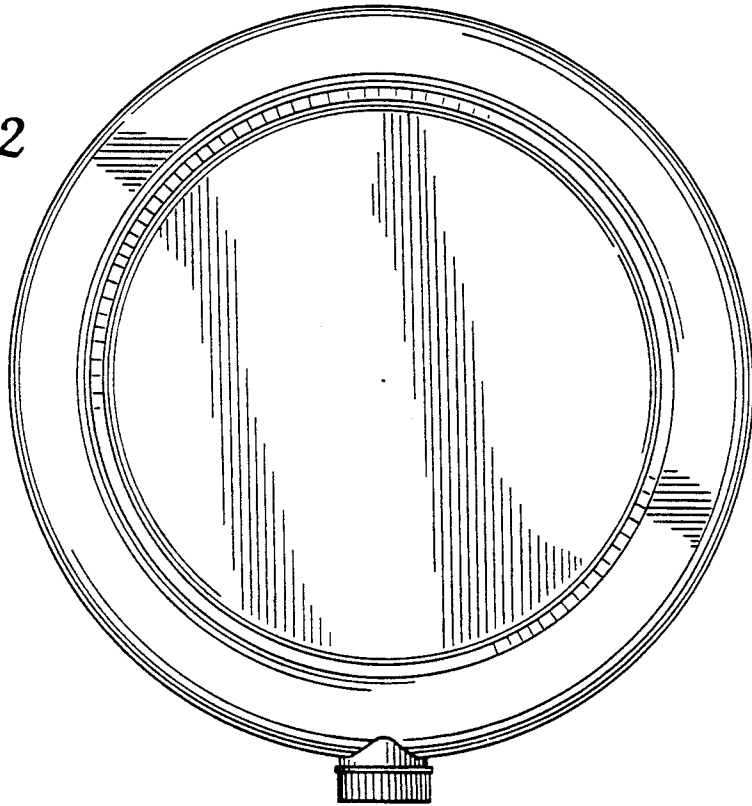


Fig. 3

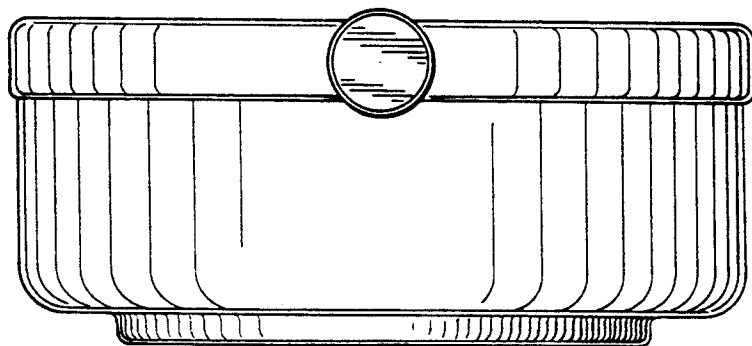


Fig. 4

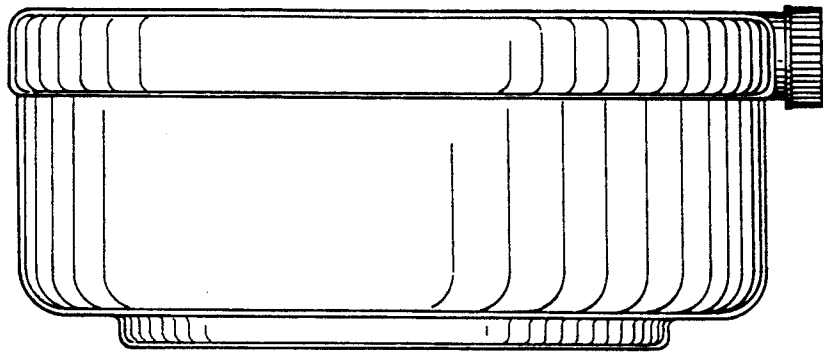


Fig. 5

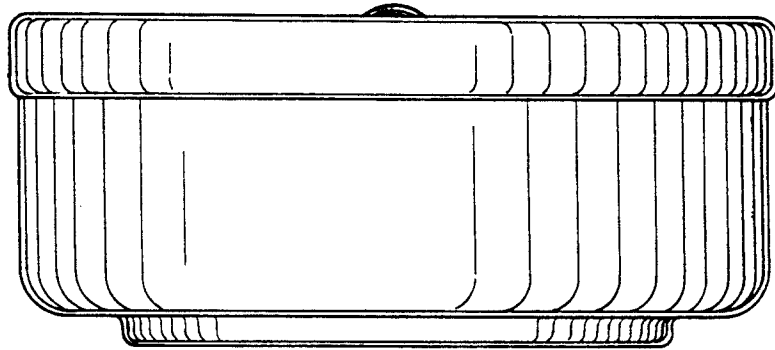


Fig. 6

