

(19) World Intellectual Property Organization  
International Bureau



(43) International Publication Date  
3 February 2005 (03.02.2005)

PCT

(10) International Publication Number  
WO 2005/009213 A3

(51) International Patent Classification<sup>7</sup>: A61B 18/18

(21) International Application Number:  
PCT/US2004/022803

(22) International Filing Date: 16 July 2004 (16.07.2004)

(25) Filing Language: English

(26) Publication Language: English

(30) Priority Data:  
60/488,134 16 July 2003 (16.07.2003) US

(71) Applicant (for all designated States except US):  
ARTHROCARE CORPORATION [US/US]; 680  
Vaqueros Avenue, Sunnyvale, CA 94085 (US).

(72) Inventors; and

(75) Inventors/Applicants (for US only): **WOLOSZKO, Jean** [FR/US]; 1694 Columbia Drive, Mountain View, CA 94040 (US). **DAHLA, Robert, H.** [US/US]; 1342 Hollenbeck Avenue, Sunnyvale, CA 94087 (US).

(74) Agents: **BATT, Richard, R.** et al.; ArthroCare Corporation, 680 Vaqueros Avenue, Sunnyvale, CA 94085 (US).

(81) Designated States (unless otherwise indicated, for every kind of national protection available): AE, AG, AL, AM, AT, AU, AZ, BA, BB, BG, BR, BW, BY, BZ, CA, CH, CN, CO, CR, CU, CZ, DE, DK, DM, DZ, EC, EE, EG, ES, FI, GB, GD, GE, GH, GM, HR, HU, ID, IL, IN, IS, JP, KE, KG, KP, KR, KZ, LC, LK, LR, LS, LT, LU, LV, MA, MD, MG, MK, MN, MW, MX, MZ, NA, NI, NO, NZ, OM, PG, PH, PL, PT, RO, RU, SC, SD, SE, SG, SK, SL, SY, TJ, TM, TN, TR, TT, TZ, UA, UG, US, UZ, VC, VN, YU, ZA, ZM, ZW.

(84) Designated States (unless otherwise indicated, for every kind of regional protection available): ARIPO (BW, GH, GM, KE, LS, MW, MZ, NA, SD, SL, SZ, TZ, UG, ZM, ZW), Eurasian (AM, AZ, BY, KG, KZ, MD, RU, TJ, TM), European (AT, BE, BG, CH, CY, CZ, DE, DK, EE, ES, FI, FR, GB, GR, HU, IE, IT, LU, MC, NL, PL, PT, RO, SE, SI, SK, TR), OAPI (BF, BJ, CF, CG, CI, CM, GA, GN, GQ, GW, ML, MR, NE, SN, TD, TG).

Declaration under Rule 4.17:

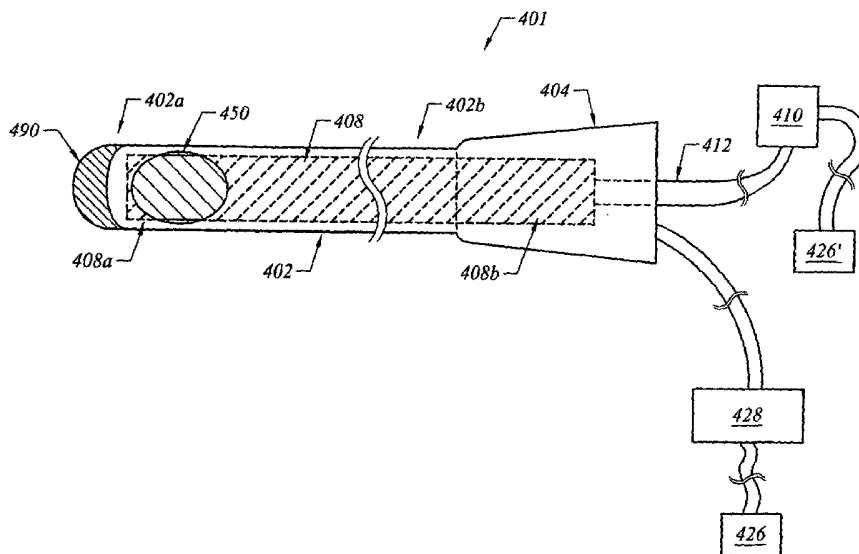
— of inventorship (Rule 4.17(iv)) for US only

Published:

— with international search report

[Continued on next page]

(54) Title: ROTARY ELECTROSURGICAL APPARATUS AND METHODS THEREOF



(57) Abstract: Electrosurgical systems, apparatus, and methods for the controlled removal and treatment of a target tissue. An instrument of the invention includes a rotating member housed longitudinally within a shaft, a tissue removal port disposed at the shaft distal end portion, and an active electrode disposed at the instrument distal end. The active electrode is adapted to electrosurgically remove at least a portion of the target tissue as the rotating member rotates within the shaft. According to alternative embodiments, the active electrode may be disposed on the rotating member or on the shaft.

WO 2005/009213 A3



---

(88) Date of publication of the international search report:  
14 July 2005

*For two-letter codes and other abbreviations, refer to the "Guidance Notes on Codes and Abbreviations" appearing at the beginning of each regular issue of the PCT Gazette.*

# INTERNATIONAL SEARCH REPORT

International application No.

PCT/US04/22803

<b>A. CLASSIFICATION OF SUBJECT MATTER</b> IPC(7) : A61B 18/18 US CL : 606/41 According to International Patent Classification (IPC) or to both national classification and IPC		
<b>B. FIELDS SEARCHED</b> Minimum documentation searched (classification system followed by classification symbols) U.S. : 606/41, 45-50, 170, 171, 180; 604/22 Documentation searched other than minimum documentation to the extent that such documents are included in the fields searched Electronic data base consulted during the international search (name of data base and, where practicable, search terms used)		
<b>C. DOCUMENTS CONSIDERED TO BE RELEVANT</b>		
Category *	Citation of document, with indication, where appropriate, of the relevant passages	Relevant to claim No.
X --- Y  X --- Y  Y --- A  A  A	US 5,904,681 A (West, Jr) 18 May 1999, whole document  US 6,032,673 A (SAVAGE et al) 07 March 2000, whole document  US 5,810,809 A (Rydell) 22 September 1998, whole document  US 6,346,107 B1 (CUCIN) 12 February 2002, whole document  US 6,214,001 B1 (CASSCELLS et al) 10 April 2001, whole document	1-46, 48-58 ----- 31, 32  1-10, 13-38, 41-53, 55-58 ----- 31,32 31,32 ----- 1-58  1-58  1-58
<input type="checkbox"/> Further documents are listed in the continuation of Box C. <input type="checkbox"/> See patent family annex.		
* Special categories of cited documents:		
"A" document defining the general state of the art which is not considered to be of particular relevance	"T"	later document published after the international filing date or priority date and not in conflict with the application but cited to understand the principle or theory underlying the invention
"E" earlier application or patent published on or after the international filing date	"X"	document of particular relevance; the claimed invention cannot be considered novel or cannot be considered to involve an inventive step when the document is taken alone
"L" document which may throw doubts on priority claim(s) or which is cited to establish the publication date of another citation or other special reason (as specified)	"Y"	document of particular relevance; the claimed invention cannot be considered to involve an inventive step when the document is combined with one or more other such documents, such combination being obvious to a person skilled in the art
"O" document referring to an oral disclosure, use, exhibition or other means	"&"	document member of the same patent family
"P" document published prior to the international filing date but later than the priority date claimed		
Date of the actual completion of the international search 01 April 2005 (01.04.2005)	Date of mailing of the international search report <div style="text-align: center; font-size: 1.2em; font-weight: bold;">29 APR 2005</div>	
Name and mailing address of the ISA/US Mail Stop PCT, Attn: ISA/US Commissioner for Patents P.O. Box 1450 Alexandria, Virginia 22313-1450 Facsimile No. (703) 305-3230	Authorized officer:  Linda Dvorak Telephone No. (703) 308-0858	