



US00D734008S

(12) **United States Design Patent**
Marvin et al.

(10) **Patent No.:** **US D734,008 S**

(45) **Date of Patent:** **** Jul. 14, 2015**

(54) **SHOE**

(71) Applicant: **Reebok International Limited**, London (GB)

(72) Inventors: **William Marvin**, Canton, MA (US);
Brian Christensen, Centerville, MA (US)

(73) Assignee: **Reebok International Limited**, London (GB)

(**) Term: **14 Years**

(21) Appl. No.: **29/450,820**

(22) Filed: **Mar. 22, 2013**

(51) **LOC (10) Cl.** **02-04**

(52) **U.S. Cl.**
USPC **D2/957; D2/951; D2/959**

(58) **Field of Classification Search**
USPC D2/902, 906, 908, 916, 918, 925,
D2/946-962, 977; 36/3 B, 22 R, 24.5, 25 R,
36/28, 32 R, 34 R, 59 C, 67 A, 103
See application file for complete search history.

(56) **References Cited**

U.S. PATENT DOCUMENTS

D236,563	S *	9/1975	Wunsch	D2/959
D281,642	S *	12/1985	Fuzita	D2/952
D288,027	S *	2/1987	Tonkel	D2/957
5,901,467	A	5/1999	Peterson et al.		
D474,586	S	5/2003	Recchi		
D520,220	S *	5/2006	Morgan et al.	D2/957
D521,715	S *	5/2006	Lotti	D2/957
D552,837	S *	10/2007	Scott	D2/960
D601,334	S *	10/2009	Werman	D2/959
D607,193	S *	1/2010	Recchi	D2/959
7,762,008	B1 *	7/2010	Clark et al.	36/3 B
D626,320	S *	11/2010	Anderson	D2/957
D630,420	S *	1/2011	Truelsen	D2/951
7,941,938	B2 *	5/2011	Yu et al.	36/25 R
D642,362	S	8/2011	Miner		

8,082,684	B2 *	12/2011	Munns	36/25 R
8,099,880	B2 *	1/2012	Brewer et al.	36/30 R
D653,437	S *	2/2012	Mongelli	D2/957
D659,967	S *	5/2012	Miner	D2/957
8,181,365	B2 *	5/2012	Cass et al.	36/103

(Continued)

FOREIGN PATENT DOCUMENTS

JP	3045628	U	11/1997
JP	2003-516781	A	5/2003

Primary Examiner — T. Chase Nelson

(74) *Attorney, Agent, or Firm* — Sterne, Kessler, Goldstein & Fox P.L.L.C.

(57) **CLAIM**

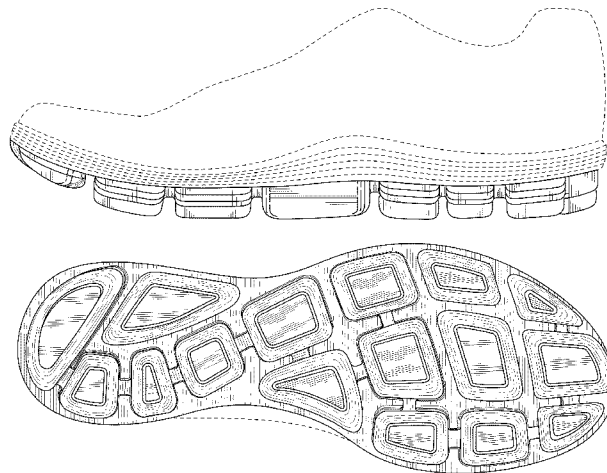
The ornamental design for a shoe, as shown and described.

DESCRIPTION

FIG. 1 is a bottom rear perspective view of a shoe showing our new design;
 FIG. 2 is another bottom rear perspective view thereof;
 FIG. 3 is a left side view thereof;
 FIG. 4 is a right side view thereof;
 FIG. 5 is a bottom view thereof;
 FIG. 6 is a front view thereof;
 FIG. 7 is a rear view thereof;
 FIG. 8 is a bottom rear perspective view of another embodiment of a shoe showing our new design;
 FIG. 9 is another bottom rear perspective view thereof;
 FIG. 10 is a left side view thereof;
 FIG. 11 is a right side view thereof;
 FIG. 12 is a bottom view thereof;
 FIG. 13 is a front view thereof; and,
 FIG. 14 is a rear view thereof.

The broken lines in the figures show environment for illustrative purposes only and form no part of the claimed design. The area within the solid and dash-dot lines forms the claimed design.

1 Claim, 12 Drawing Sheets



(56)

References Cited

U.S. PATENT DOCUMENTS

D672,543	S *	12/2012	Williams, Jr.	D2/960	2008/0244926	A1 *	10/2008	Yu et al.	36/28
D675,002	S *	1/2013	Marvin et al.	D2/957	2008/0289221	A1 *	11/2008	Munns	36/89
D681,319	S *	5/2013	Schwartz	D2/926	2010/0005684	A1 *	1/2010	Nishiwaki et al.	36/28
D683,117	S *	5/2013	Truelsen	D2/953	2010/0170106	A1 *	7/2010	Brewer et al.	36/28
D685,566	S *	7/2013	Pope	D2/954	2010/0180474	A1 *	7/2010	Clark et al.	36/3 B
D703,931	S *	5/2014	Bikowski	D2/957	2011/0078922	A1 *	4/2011	Cavaliere et al.	36/54
D707,433	S *	6/2014	Grott et al.	D2/960	2011/0154688	A1 *	6/2011	Yu et al.	36/28
8,752,307	B2 *	6/2014	Cooper et al.	36/102	2011/0185590	A1 *	8/2011	Nishiwaki et al.	36/28
2005/0262739	A1	12/2005	McDonald et al.			2011/0197469	A1 *	8/2011	Nishiwaki et al.	36/28
2008/0022553	A1	1/2008	McDonald et al.			2011/0214313	A1	9/2011	James et al.		
						2012/0073160	A1 *	3/2012	Marvin et al.	36/28
						2012/0222332	A1 *	9/2012	Greene et al.	36/103
						2014/0283413	A1 *	9/2014	Christensen et al.	36/102

* cited by examiner

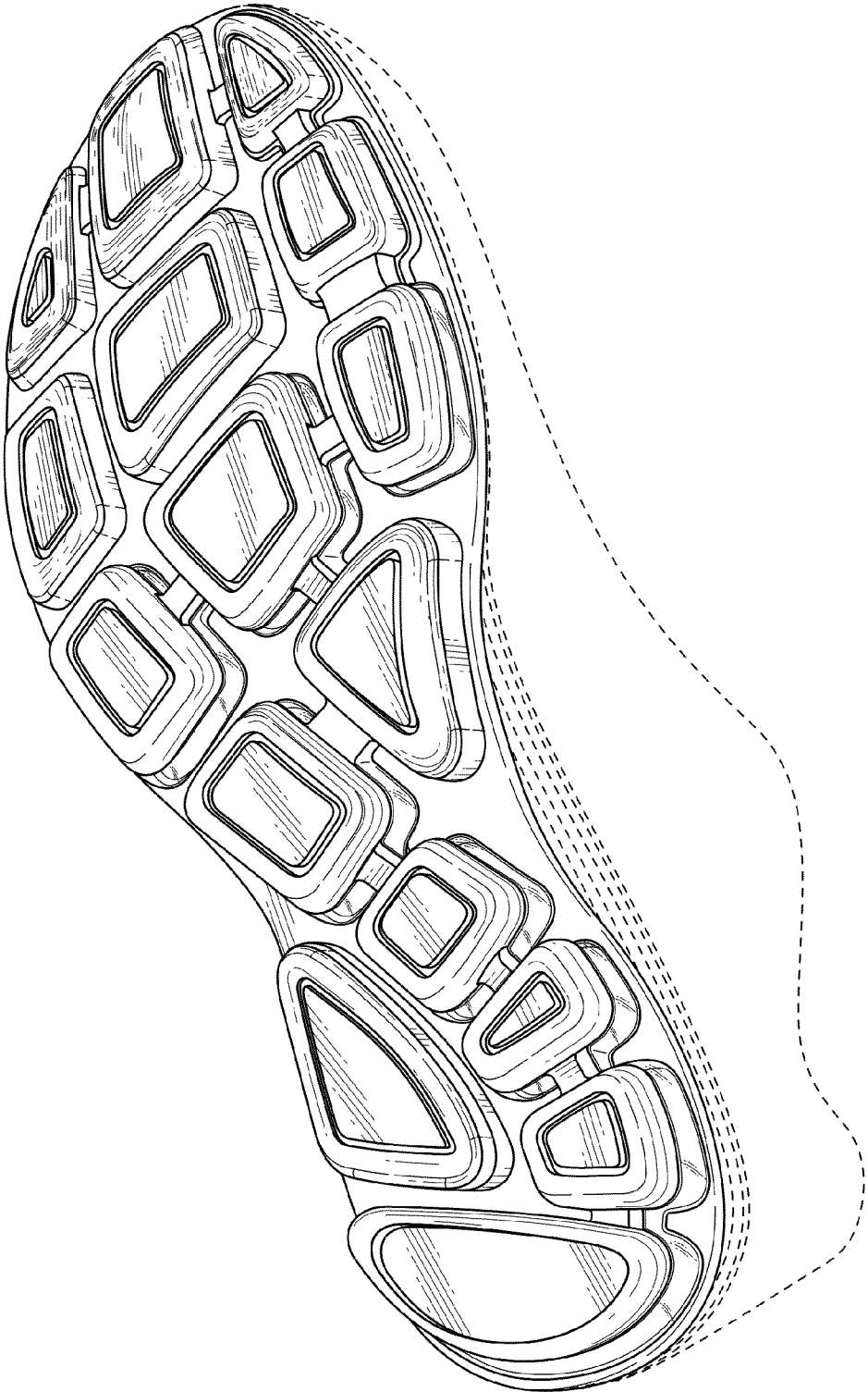


FIG. 1

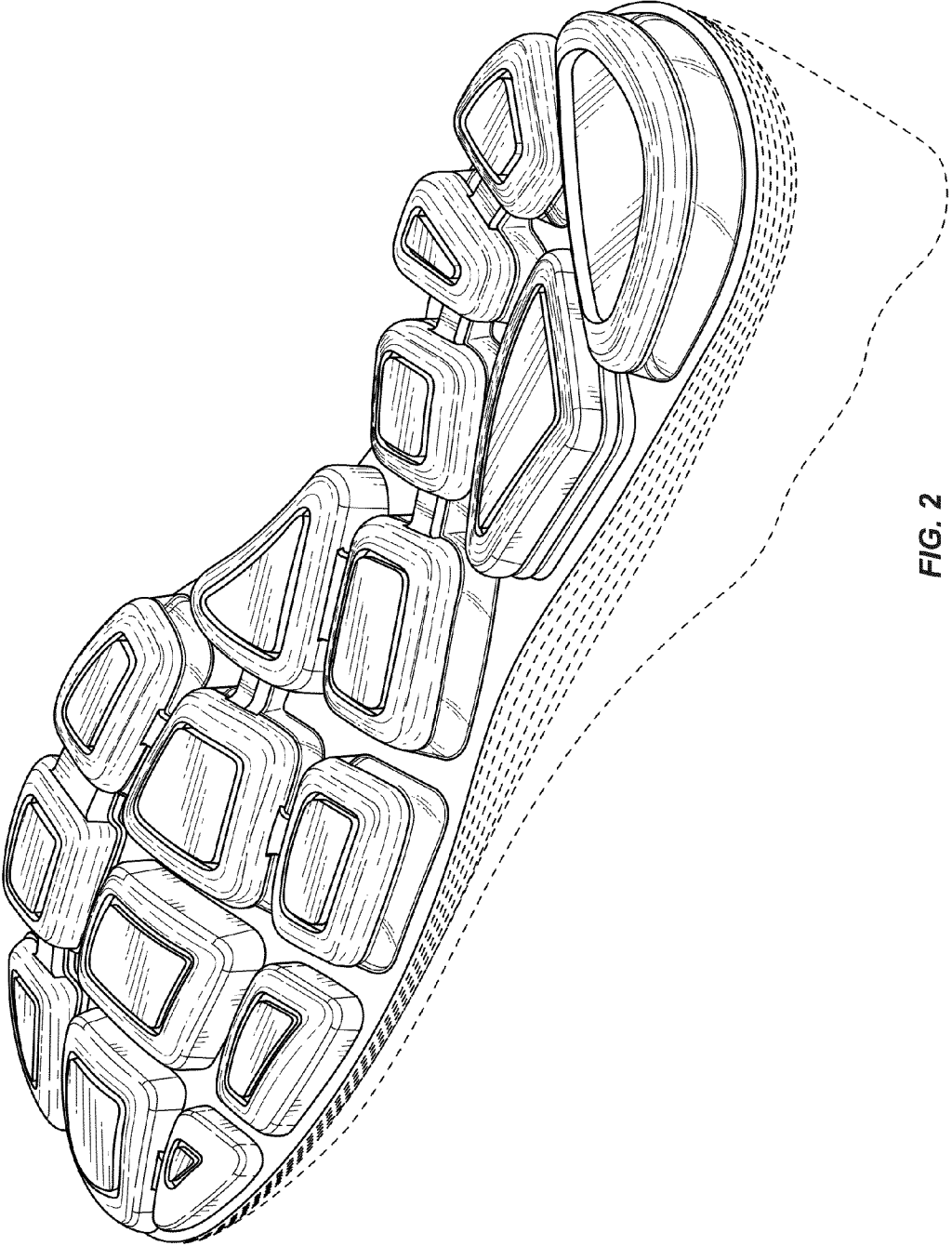


FIG. 2

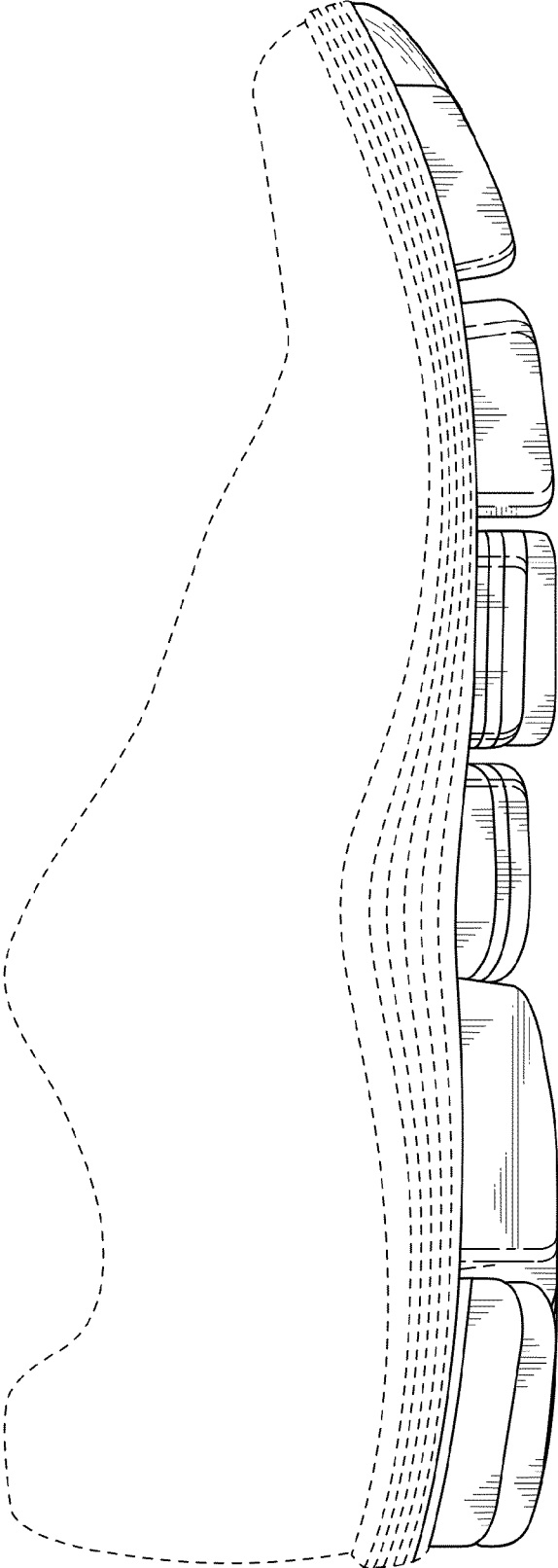


FIG. 3

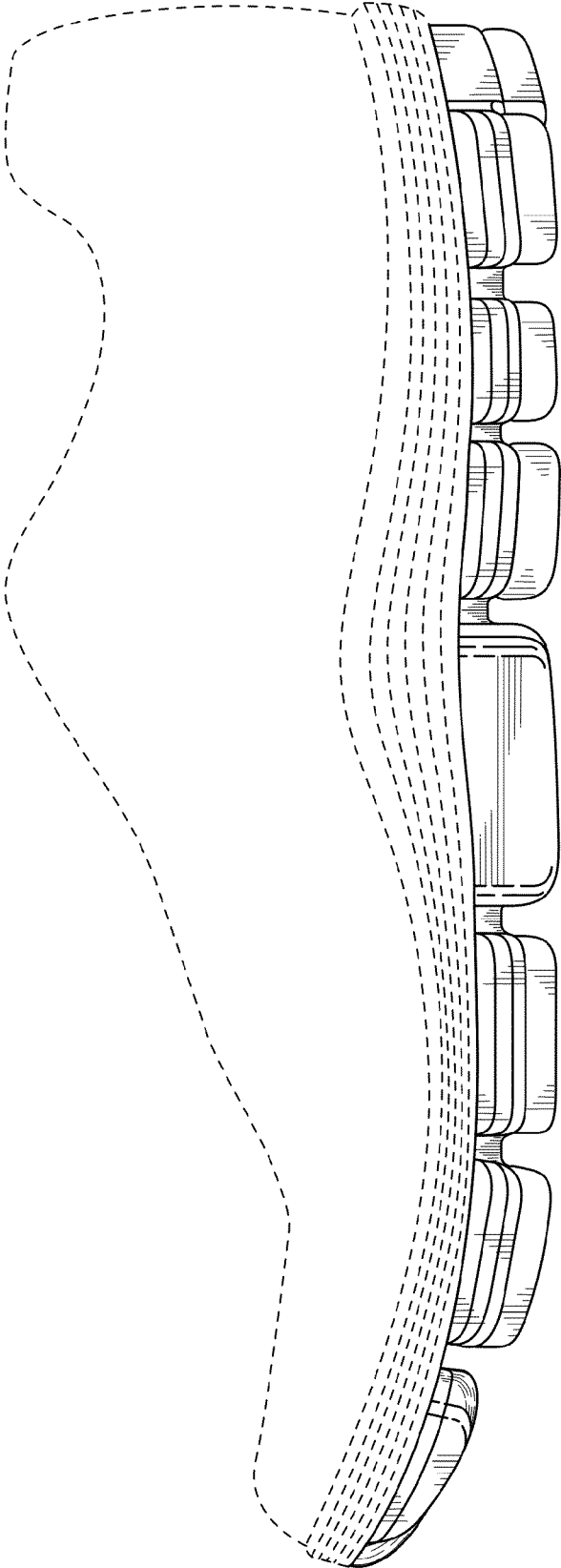


FIG. 4

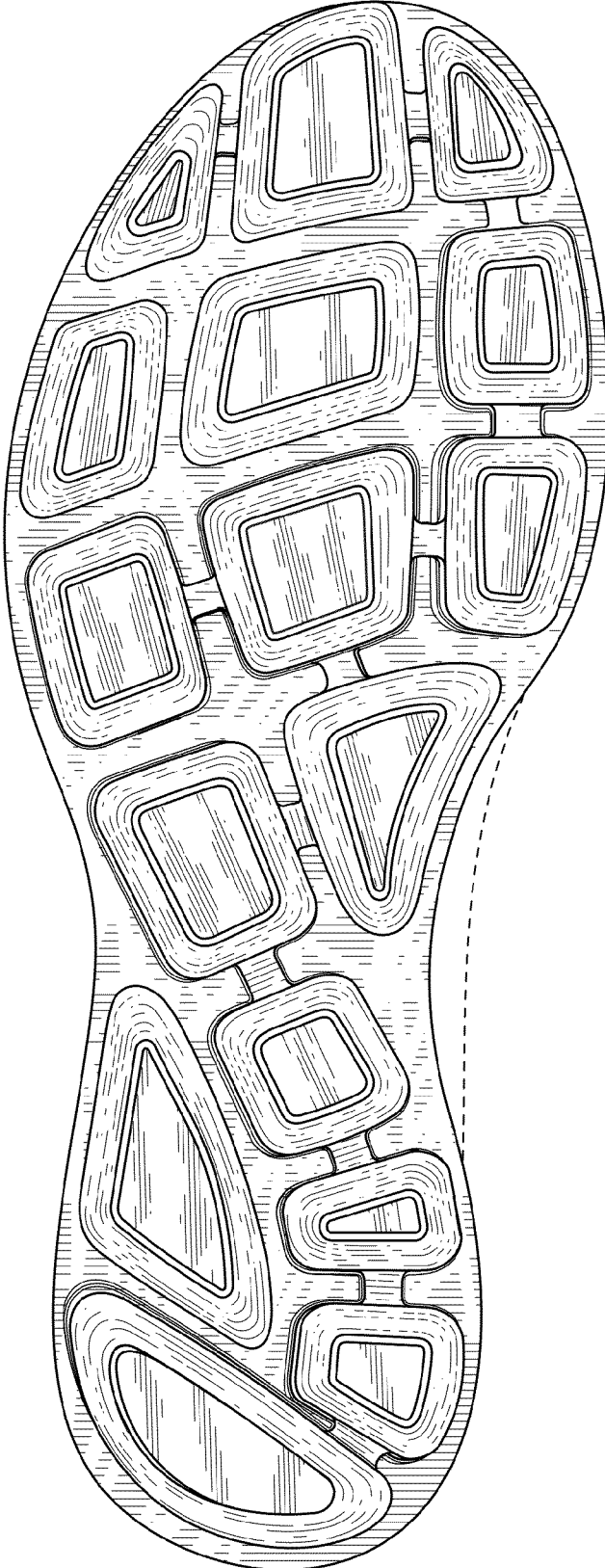


FIG. 5

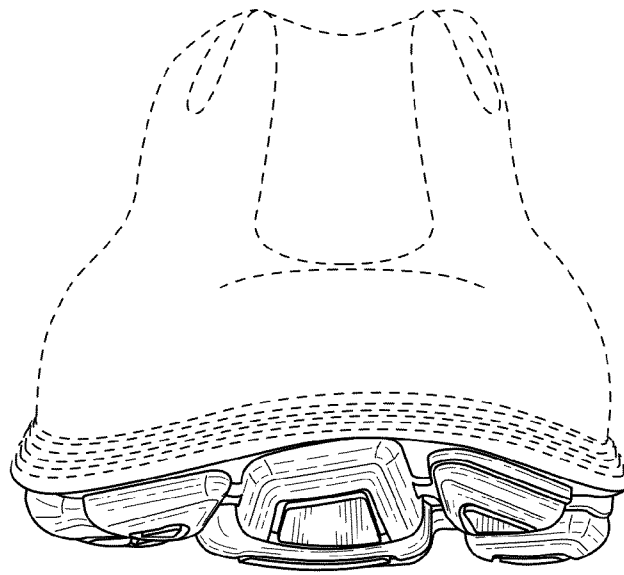


FIG. 6

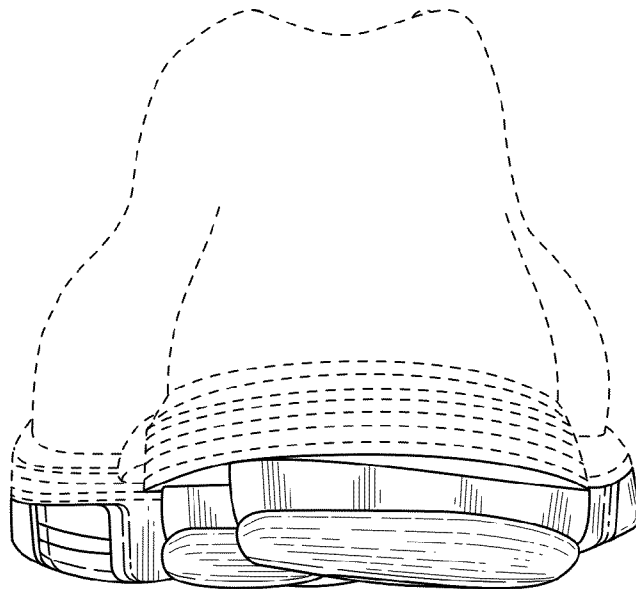


FIG. 7

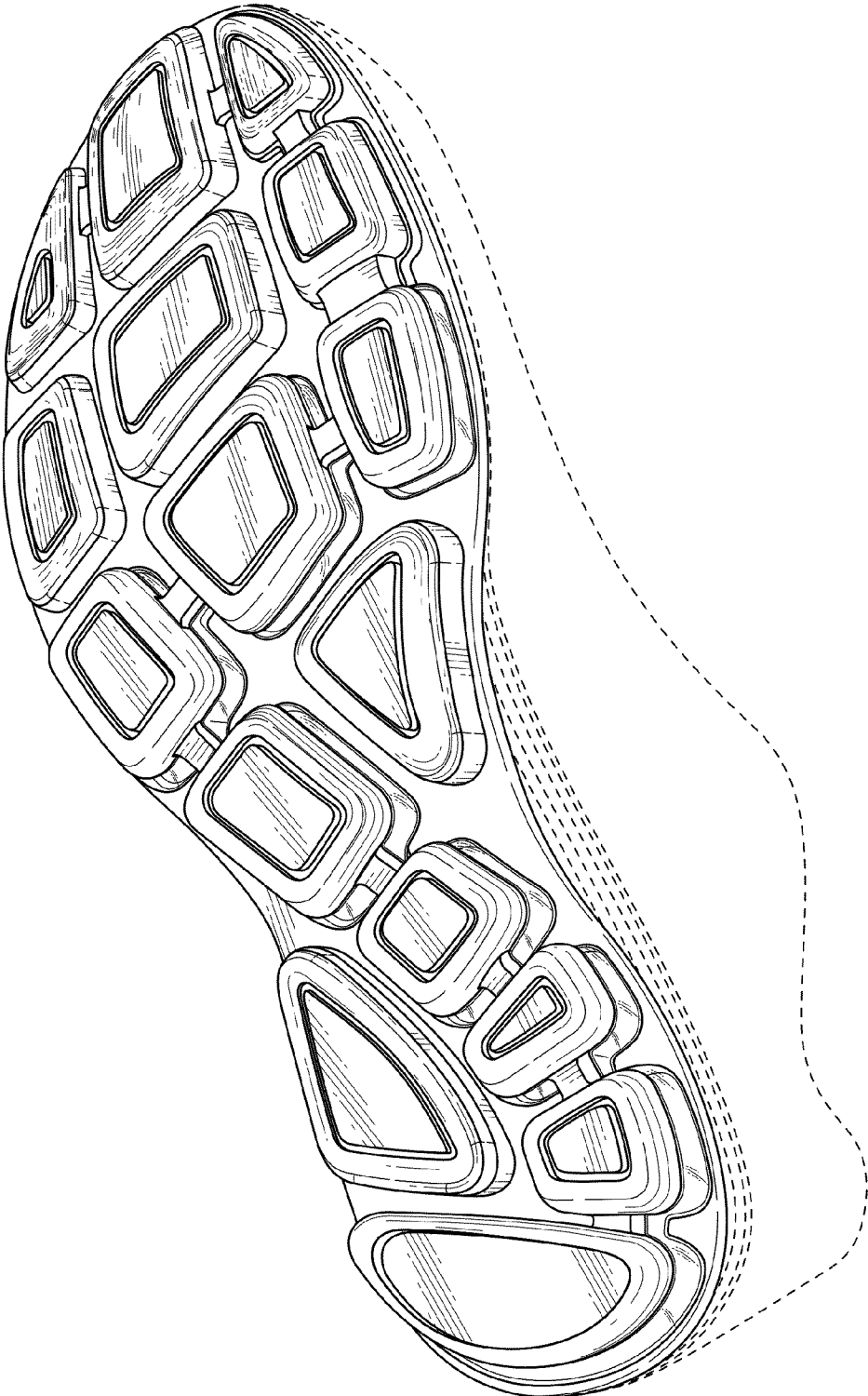


FIG. 8

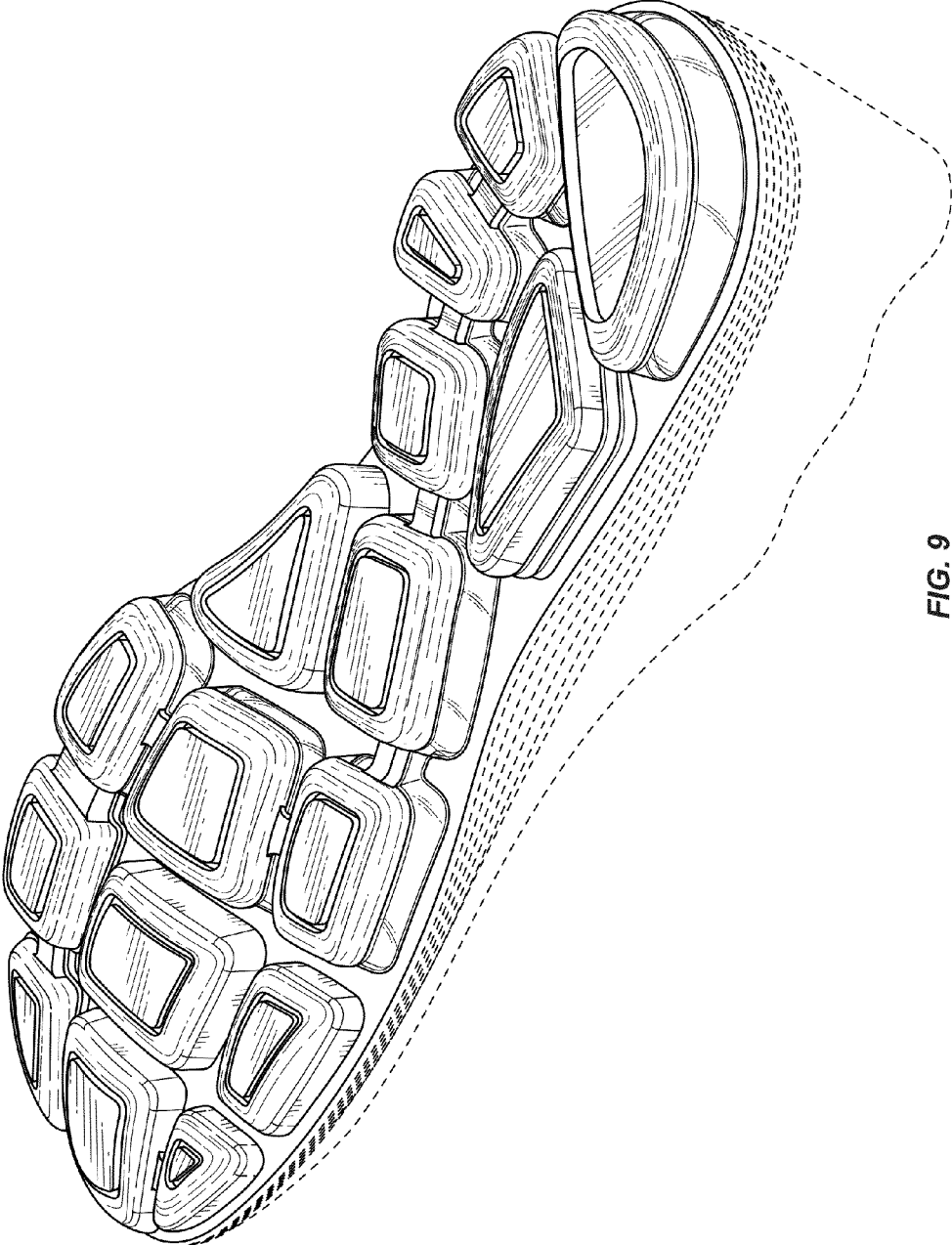


FIG. 9

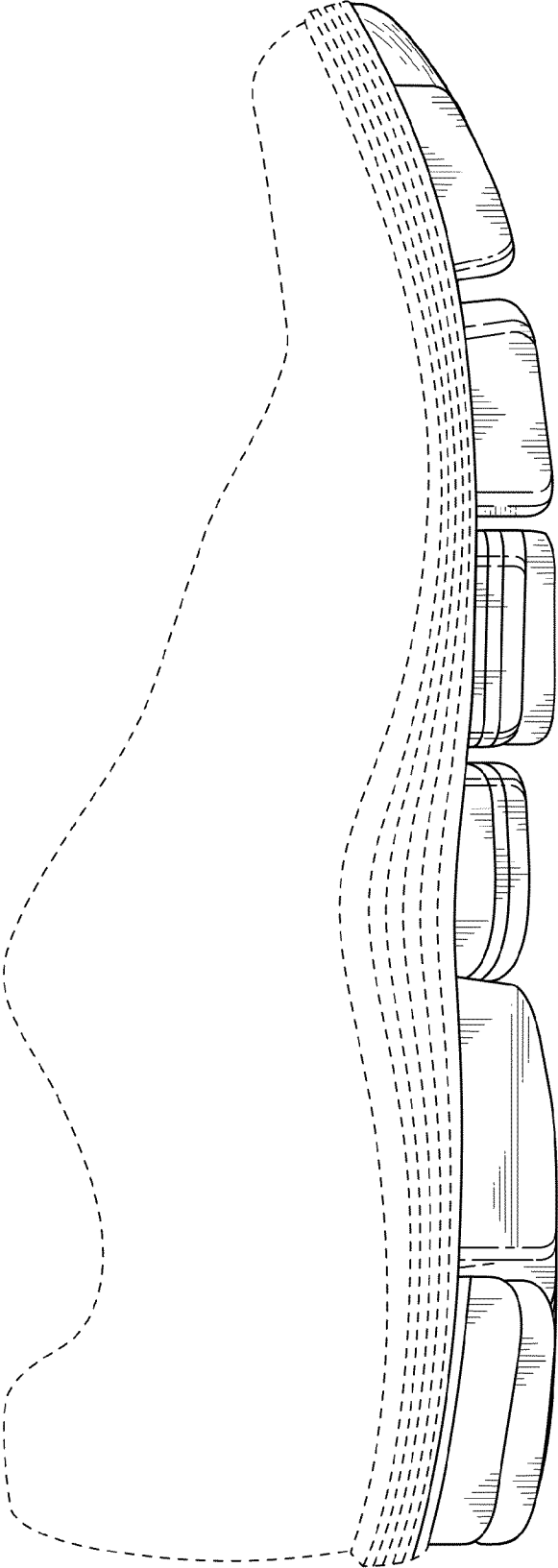


FIG. 10

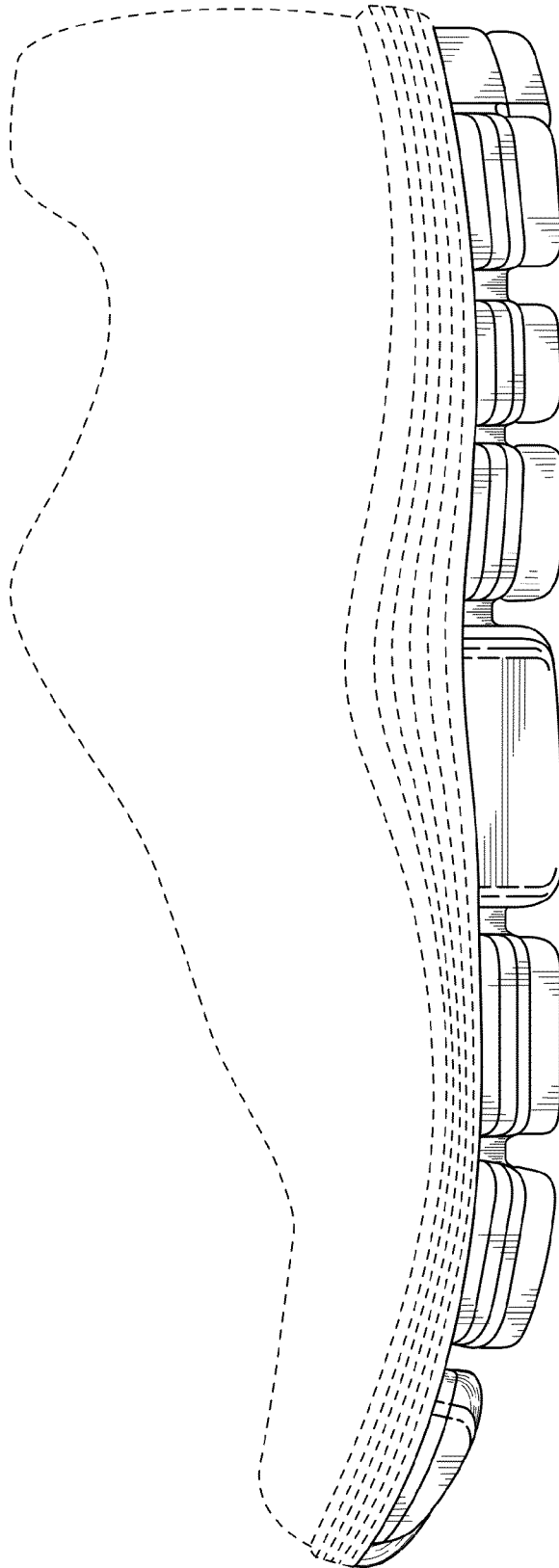


FIG. 11

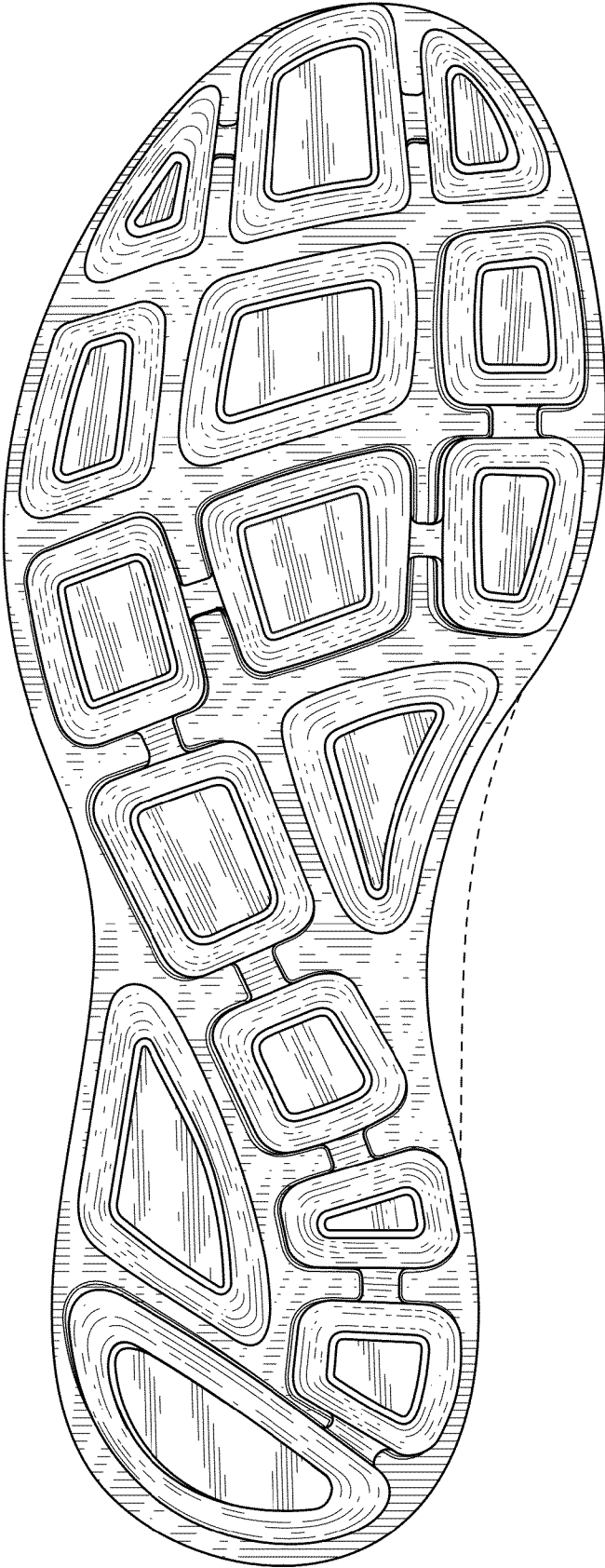


FIG. 12

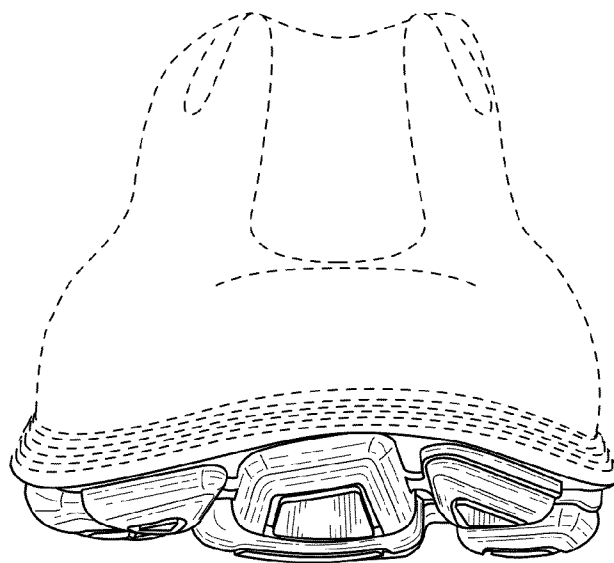


FIG. 13

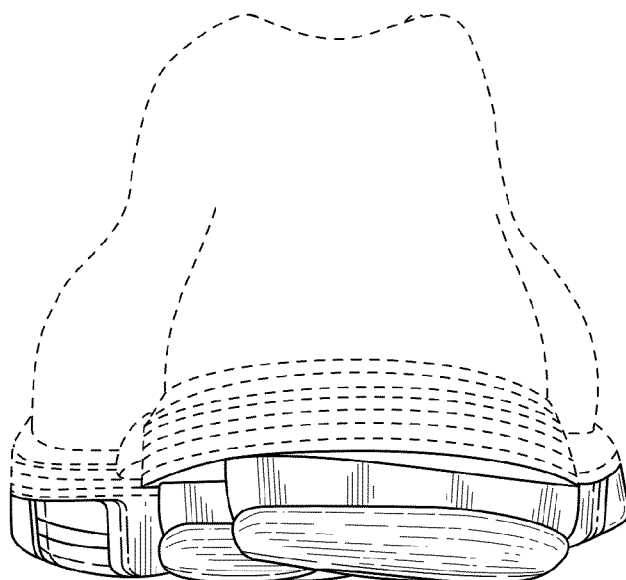


FIG. 14