



US00D750611S

(12) **United States Design Patent**  
**Manibog**

(10) **Patent No.:** **US D750,611 S**

(45) **Date of Patent:** **\*\* Mar. 1, 2016**

(54) **CLAMP FOR A MOBILE DEVICE HOLDER**

(71) Applicant: **Bernardine Anela Manibog**, Waipahu, HI (US)

(72) Inventor: **Bernardine Anela Manibog**, Waipahu, HI (US)

(\*\*) Term: **14 Years**

(21) Appl. No.: **29/474,596**

(22) Filed: **Nov. 13, 2014**

(51) **LOC (10) Cl.** ..... **14-02**

(52) **U.S. Cl.**  
USPC ..... **D14/252**

(58) **Field of Classification Search**  
USPC ..... D8/71-73; D14/140, 217, 238.1, 240, D14/251, 252, 256, 432, 433, 471, 483; D16/237, 242-245; 224/270, 271; 248/158, 160; 352/242, 243; 396/419, 396/428

See application file for complete search history.

(56) **References Cited**

U.S. PATENT DOCUMENTS

2,510,198	A *	6/1950	Tesmer	.....	B23Q 1/285 248/160
D257,259	S *	10/1980	Shiraishi	.....	D16/244
D293,470	S *	12/1987	Adler	.....	D24/140
D308,205	S *	5/1990	Tholberg	.....	379/455
D327,211	S *	6/1992	Tarshis	.....	D14/229
5,163,752	A *	11/1992	Copeland	.....	F16M 11/40 362/191
D376,970	S *	12/1996	Drake	.....	D8/72
D382,286	S *	8/1997	Doran	.....	224/908
D394,669	S *	5/1998	Becker	.....	224/908
6,705,578	B2 *	3/2004	Mulford	.....	A01M 31/02 248/187.1
D502,956	S *	3/2005	Holmes	.....	396/428
D515,613	S *	2/2006	Holmes	.....	396/428
8,028,963	B2 *	10/2011	Speggiorin	.....	F16M 11/16 248/177.1
D658,651	S *	5/2012	Lee	.....	D14/452

D670,284	S *	11/2012	Choi	.....	D14/253
D670,752	S *	11/2012	Barber	.....	D16/242
D720,344	S *	12/2014	Yu	.....	D14/253
2004/0211868	A1 *	10/2004	Holmes	.....	F16M 11/40 248/231.71
2007/0262506	A1 *	11/2007	Alberti	.....	B25B 5/067 269/249

\* cited by examiner

*Primary Examiner* — Susan Bennett Hattan

*Assistant Examiner* — Leanne Was

(74) *Attorney, Agent, or Firm* — Keri Ann K. S. Krzykowski; Martin E. Hsia

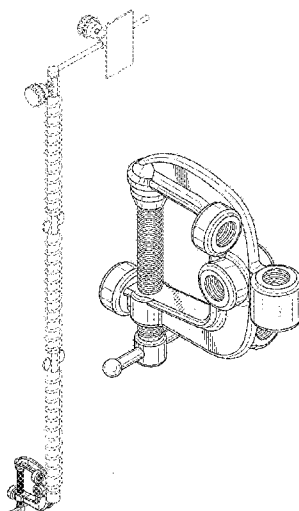
(57) **CLAIM**

The ornamental design for a clamp for a mobile device holder, as shown and described.

**DESCRIPTION**

FIG. 1 is a perspective view from the front top left thereof; FIG. 2 is a perspective view from the front top left thereof, drawn to an enlarged scale to show detail; FIG. 3 is a perspective view from the front top right thereof, drawn to an enlarged scale to show detail; FIG. 4 is an elevational view from the left thereof, drawn to an enlarged scale to show detail; FIG. 5 is an elevational view from the right thereof, drawn to an enlarged scale to show detail; FIG. 6 is a top plan view thereof, drawn to an enlarged scale to show detail; FIG. 7 is a bottom plan view thereof, drawn to an enlarged scale to show detail; FIG. 8 is an elevational view from the front thereof, drawn to an enlarged scale to show detail; FIG. 9 is an elevational view from the rear thereof, drawn to an enlarged scale to show detail; and, FIG. 10 is a perspective view from the rear top left thereof, drawn to an enlarged scale to show detail. The broken lines in FIG. 1 depict environment for the clamp for a mobile device holder.

**1 Claim, 8 Drawing Sheets**



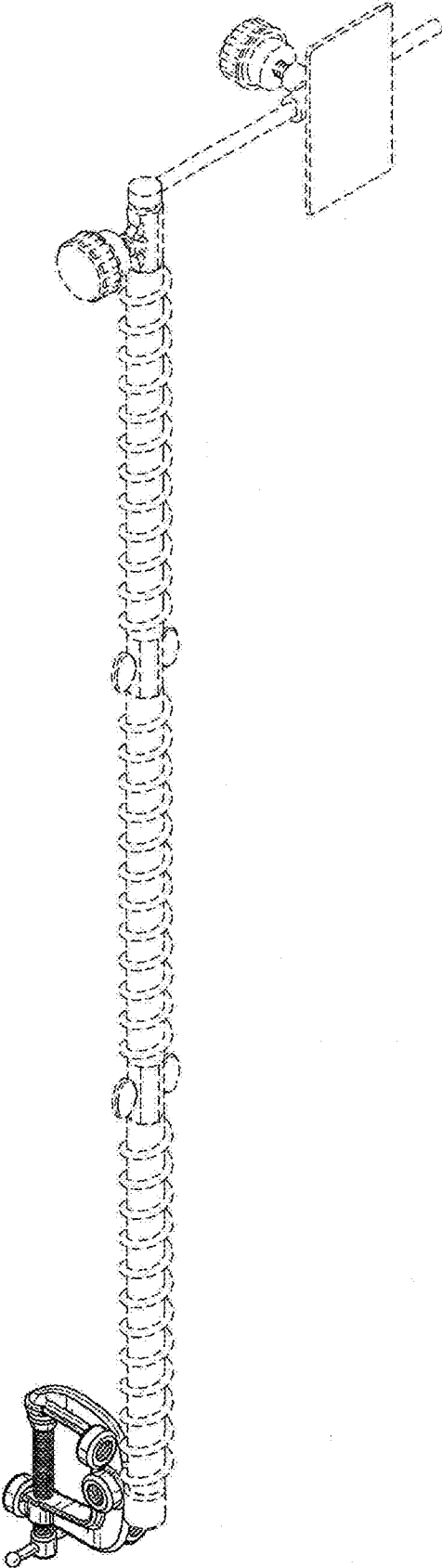


FIG. 1

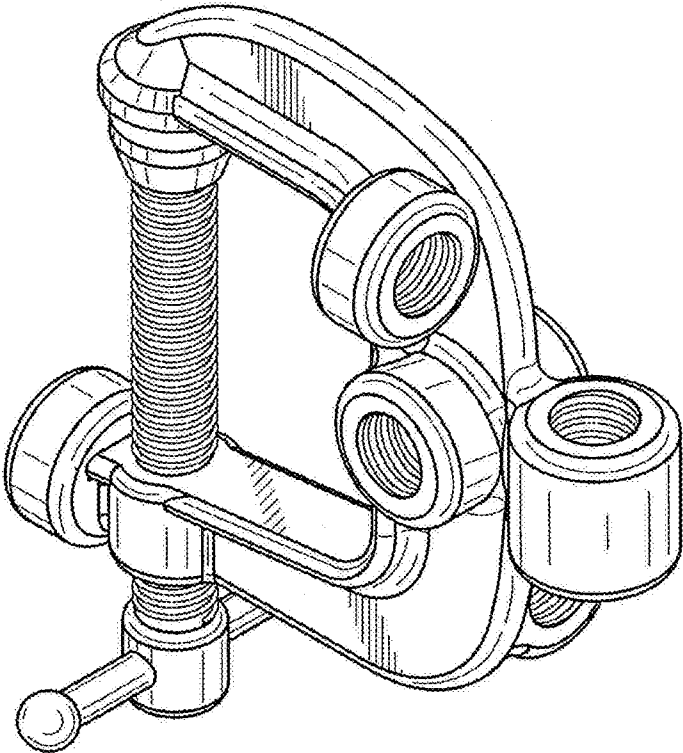


FIG. 2

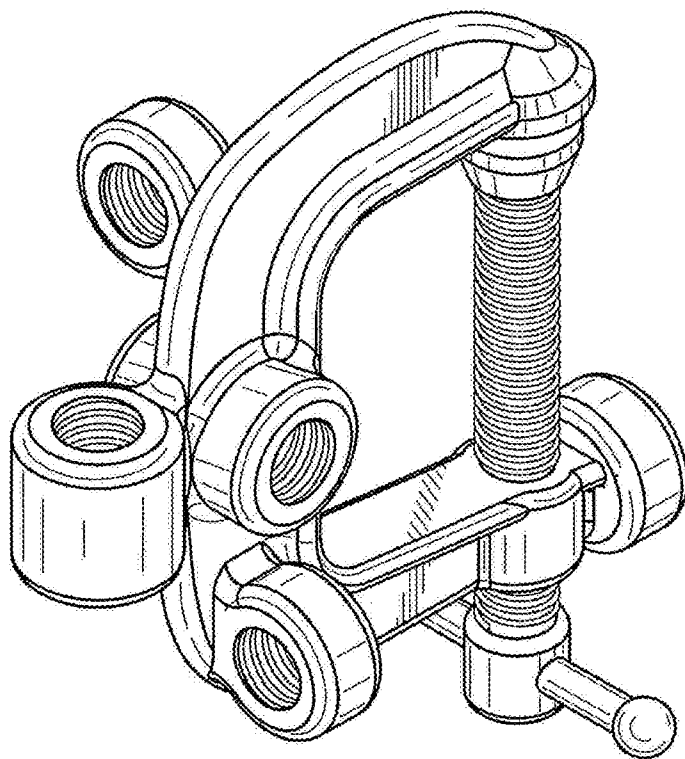


FIG. 3

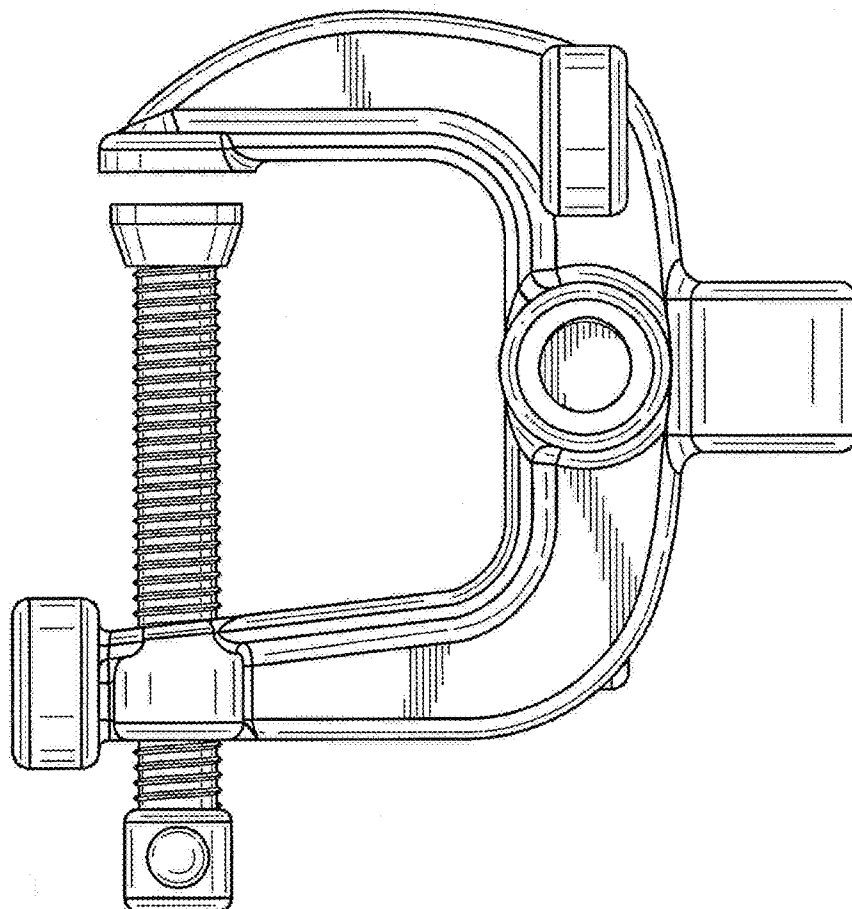


FIG. 4

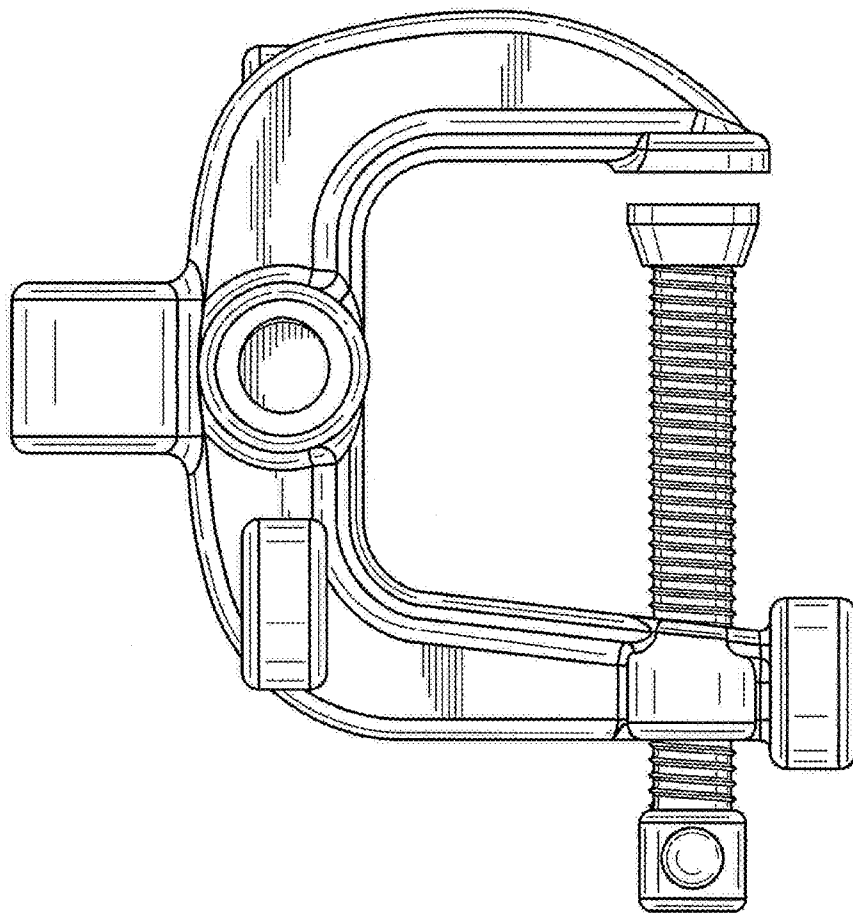


FIG. 5

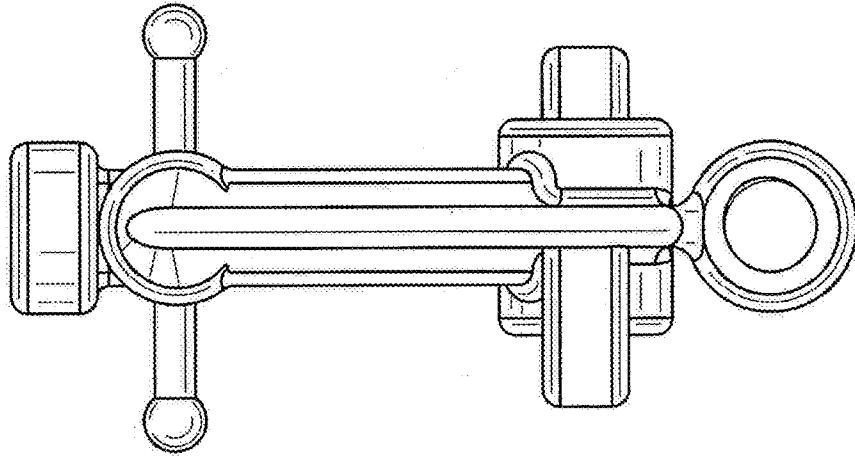


FIG. 6

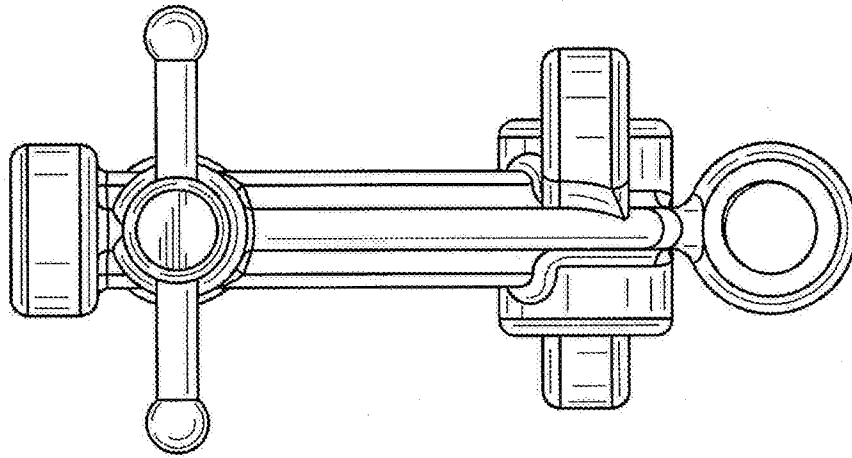


FIG. 7

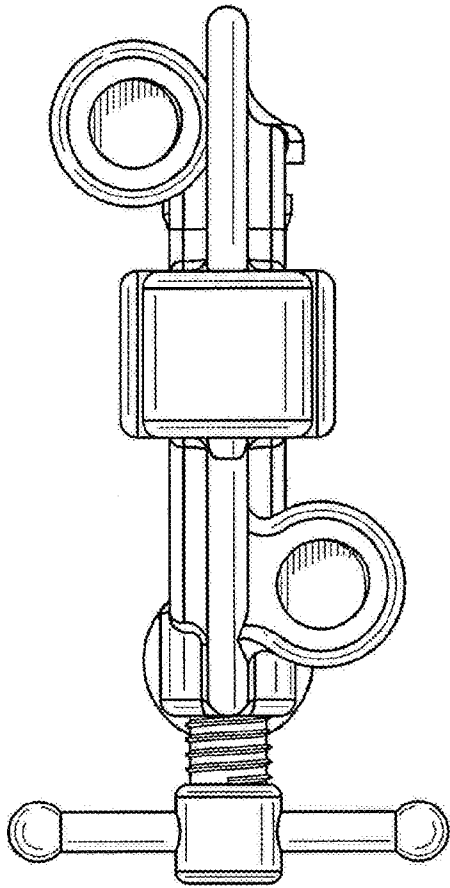


FIG. 8

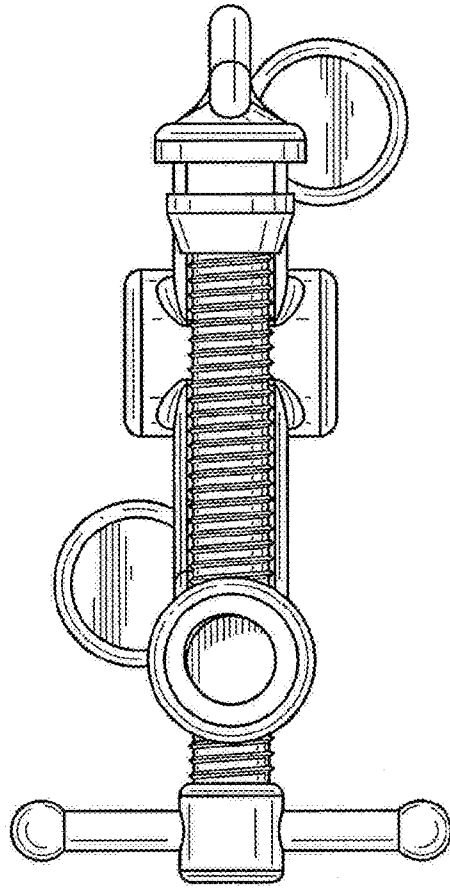
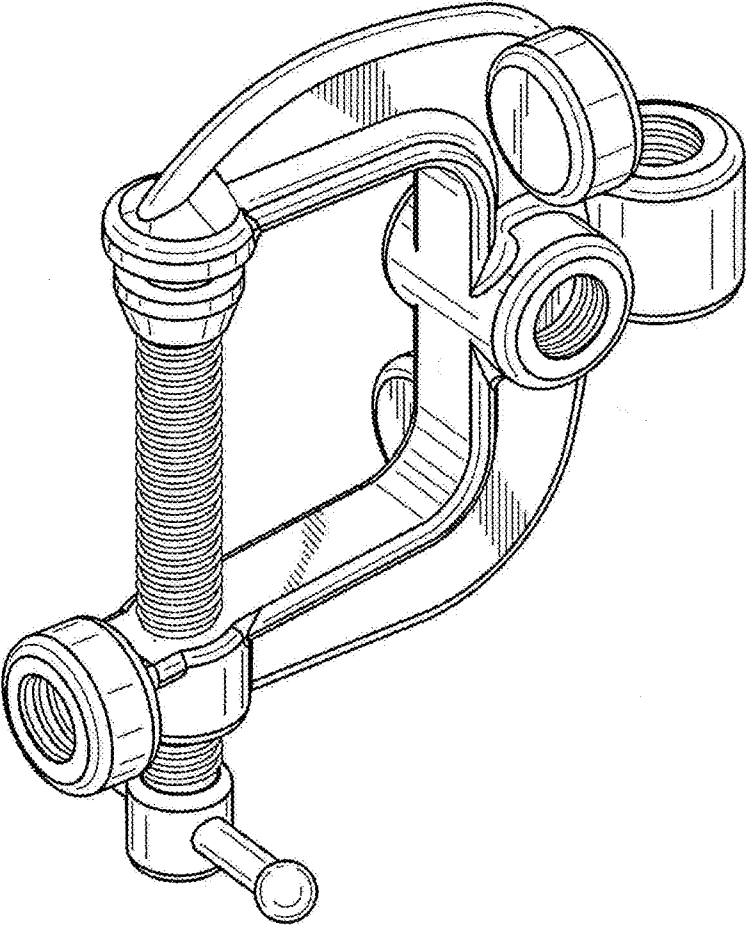


FIG. 9





**FIG. 10**