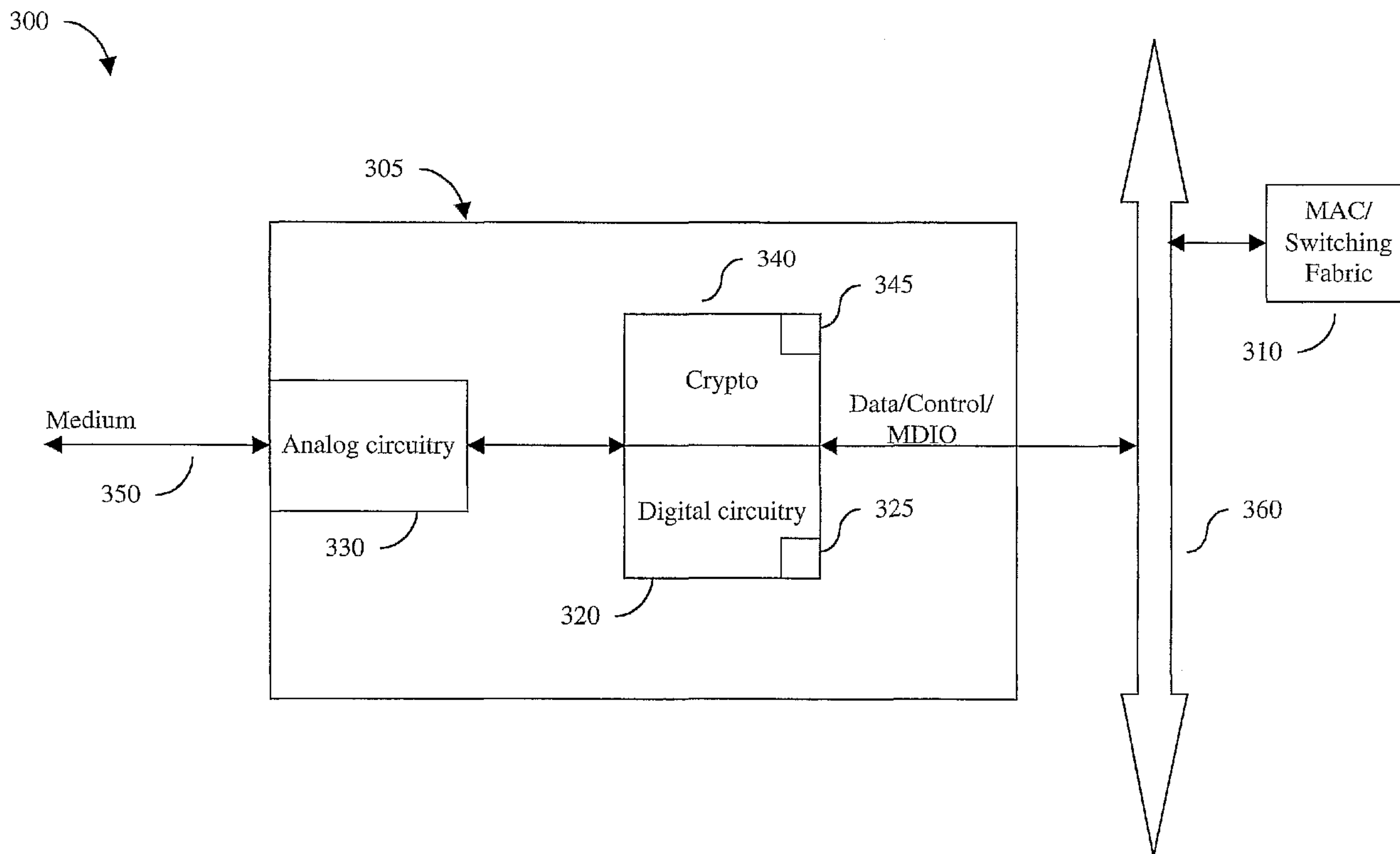




(86) Date de dépôt PCT/PCT Filing Date: 2004/09/30  
 (87) Date publication PCT/PCT Publication Date: 2005/04/14  
 (85) Entrée phase nationale/National Entry: 2006/02/21  
 (86) N° demande PCT/PCT Application No.: US 2004/032691  
 (87) N° publication PCT/PCT Publication No.: 2005/034412  
 (30) Priorité/Priority: 2003/09/30 (US10/676,384)

(51) Cl.Int./Int.Cl. *H04L 9/00* (2006.01),  
*H04K 1/00* (2006.01), *G06F 15/16* (2006.01)  
 (71) Demandeur/Applicant:  
CISCO TECHNOLOGY, INC., US  
 (72) Inventeurs/Inventors:  
YANG, LI-JAU, US;  
BIEDERMAN, DANIEL C., US  
 (74) Agent: GOWLING LAFLEUR HENDERSON LLP

(54) Titre : PROCEDE ET APPAREIL DE COMMUNICATION D'UNE INFORMATION DE SECURITE/CRYPTAGE A UN  
EMETTEUR RECEPTEUR A COUCHE PHYSIQUE  
 (54) Title: METHOD AND APPARATUS OF COMMUNICATING SECURITY/ENCRYPTION INFORMATION TO A  
PHYSICAL LAYER TRANSCEIVER



(57) **Abrégé/Abstract:**

An apparatus for providing link layer security in a Physical Layer Transceiver (PHY) (Fig. 3, 305) is disclosed. In one embodiment, the apparatus may comprise analog circuitry (Fig. 3, 330) configured to interface with a data transmission medium, digital circuitry (Fig. 3, 320) configured to interface with a Media Access Controller (MAC) (Fig. 3, 310); and a crypto engine (Fig. 3, 340) coupled to the digital circuitry. Single interface and multiple interface schemes are provided to control both PHY and crypto functions. Embodiments are disclosed where the PHY controls the crypto device, and where the crypto device controls the PHY.

(12) INTERNATIONAL APPLICATION PUBLISHED UNDER THE PATENT COOPERATION TREATY (PCT)

(19) World Intellectual Property  
Organization  
International Bureau



(43) International Publication Date  
14 April 2005 (14.04.2005)

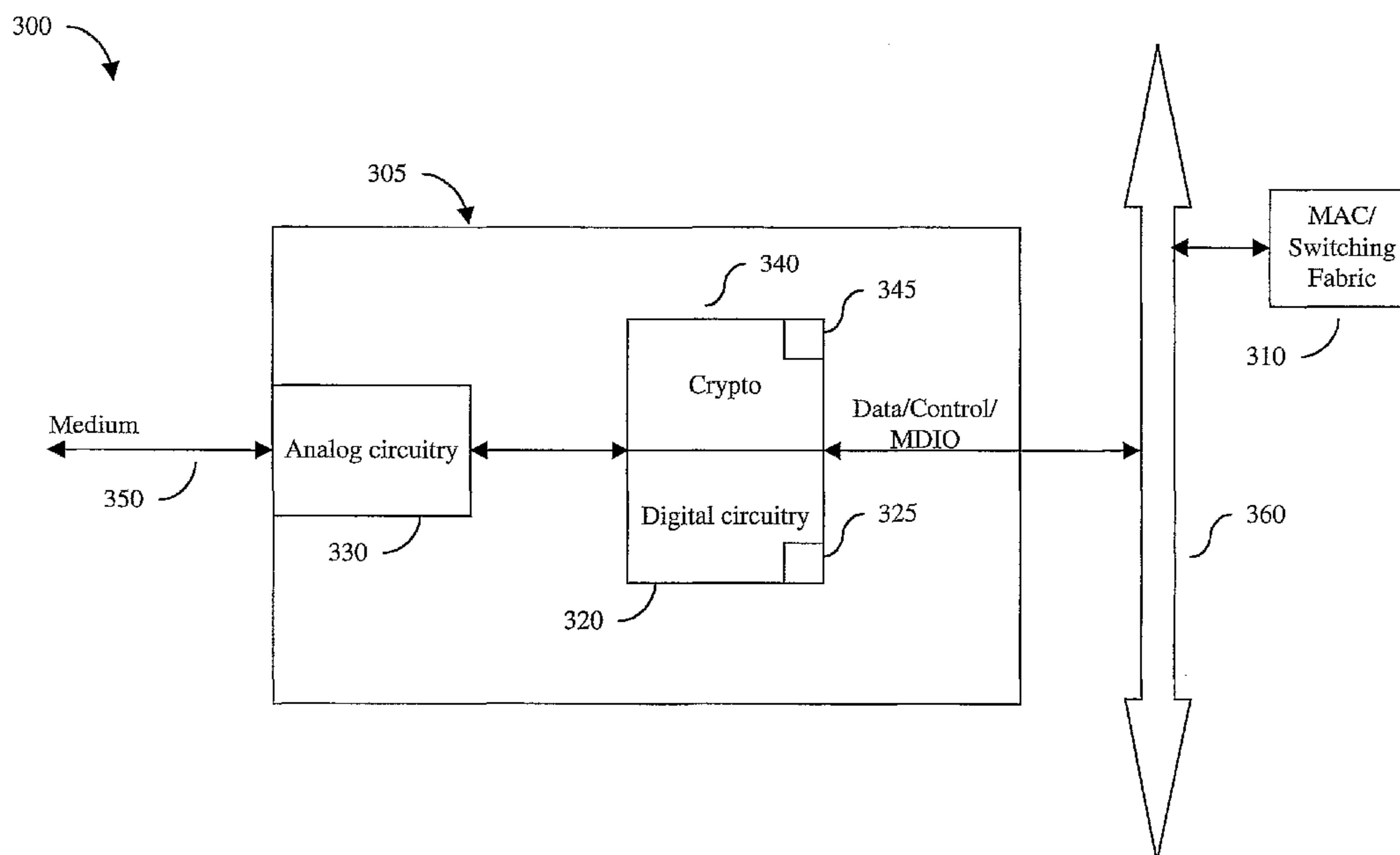
PCT

(10) International Publication Number  
WO 2005/034412 A3

- (51) International Patent Classification<sup>7</sup>: H04L 9/00, G06F 15/16, H04K 1/00
- (21) International Application Number: PCT/US2004/032691
- (22) International Filing Date: 30 September 2004 (30.09.2004)
- (25) Filing Language: English
- (26) Publication Language: English
- (30) Priority Data: 10/676,384 30 September 2003 (30.09.2003) US
- (71) Applicant (for all designated States except US): CISCO TECHNOLOGY, INC.? [US/US]; 170 West Tasman Drive, San Jose, CA 95134 (US).
- (72) Inventors; and
- (75) Inventors/Applicants (for US only): YANG, Li-Jau [US/US]; 4141 Bonesco Circle, San Jose, CA 95134 (US). BIEDERMAN, Daniel, C. [US/US]; 220 Primrose Drive, San Jose, CA 95123 (US).
- (74) Agent: BRISSON, Timothy, A.; Sierra Patent Group, Ltd., P.O. Box 6149, Stateline, NV 89449 (US).
- (81) Designated States (unless otherwise indicated, for every kind of national protection available): AE, AG, AL, AM, AT, AU, AZ, BA, BB, BG, BR, BW, BY, BZ, CA, CH, CN, CO, CR, CU, CZ, DE, DK, DM, DZ, EC, EE, EG, ES, FI, GB, GD, GE, GH, GM, HR, HU, ID, IL, IN, IS, JP, KE, KG, KP, KR, KZ, LC, LK, LR, LS, LT, LU, LV, MA, MD, MG, MK, MN, MW, MX, MZ, NA, NI, NO, NZ, OM, PG, PH, PL, PT, RO, RU, SC, SD, SE, SG, SK, SL, SY, TJ, TM, TN, TR, TT, TZ, UA, UG, US, UZ, VC, VN, YU, ZA, ZM, ZW.
- (84) Designated States (unless otherwise indicated, for every kind of regional protection available): ARIPO (BW, GH, GM, KE, LS, MW, MZ, NA, SD, SL, SZ, TZ, UG, ZM, ZW), Eurasian (AM, AZ, BY, KG, KZ, MD, RU, TJ, TM), European (AT, BE, BG, CH, CY, CZ, DE, DK, EE, ES, FI, FR, GB, GR, HU, IE, IT, LU, MC, NL, PL, PT, RO, SE, SI, SK, TR), OAPI (BF, BJ, CF, CG, CI, CM, GA, GN, GQ, GW, ML, MR, NE, SN, TD, TG).
- Published:**
- with international search report
  - before the expiration of the time limit for amending the claims and to be republished in the event of receipt of amendments

[Continued on next page]

(54) Title: METHOD AND APPARATUS OF COMMUNICATING SECURITY/ENCRYPTION INFORMATION TO A PHYSICAL LAYER TRANSCEIVER



(57) Abstract: An apparatus for providing link layer security in a Physical Layer Transceiver (PHY) (Fig. 3, 305) is disclosed. In one embodiment, the apparatus may comprise analog circuitry (Fig. 3, 330) configured to interface with a data transmission medium, digital circuitry (Fig. 3, 320) configured to interface with a Media Access Controller (MAC) (Fig. 3, 310); and a crypto engine (Fig. 3, 340) coupled to the digital circuitry. Single interface and multiple interface schemes are provided to control both PHY and crypto functions. Embodiments are disclosed where the PHY controls the crypto device, and where the crypto device controls the PHY.

WO 2005/034412 A3

**WO 2005/034412 A3**



---

**(88) Date of publication of the international search report:**  
29 December 2005

*For two-letter codes and other abbreviations, refer to the "Guidance Notes on Codes and Abbreviations" appearing at the beginning of each regular issue of the PCT Gazette.*

5 METHOD AND APPARATUS OF COMMUNICATING  
SECURITY/ENCRYPTION INFORMATION TO A PHYSICAL  
LAYER TRANSCEIVER

10

BACKGROUND

Field of the Disclosure

The disclosure relates generally to link layer data communications.

15 The Prior Art  
Background

Physical Layer Transceivers (“PHY” or “PHYs”) are known in the art for transmitting and receiving data through various media, such as copper and fiber optic cables.

20 In a receive mode, the PHY functions as a device that receives data from the medium and decodes the data into a form appropriate for the receiving device. In a transmit mode, the PHY takes data from the device, typically from the Media Access Controller (“MAC”), and converts the data into a form appropriate for the medium in use.

FIG. 1 is a functional block diagram of a typical prior art PHY 100. The PHY 100 is typically configured to interface between the MAC 110 of the host device and the medium 120.

25 The PHY 100 typically includes analog circuitry 130 configured for receiving data from the medium 120 and decoding the data into a form appropriate for the host device using techniques known in the art. The PHY 100 further includes digital circuitry 140 configured for receiving data from the MAC 110 and converting the data into a form appropriate for the medium 120.

30 The PHY 100 further includes memory and control circuitry 150 configured to control the operation of the PHY, and in particular the digital circuitry 140. The memory and control circuitry 150 will typically include circuitry to interface with the MAC 110 through a bus interface 160, such as a Medium Independent Interface (“MII”), or a Gigabit Medium Independent Interface (“GMII”).

### BRIEF DESCRIPTION OF THE DRAWING FIGURES

Figure 1 is a conceptual block diagram of a prior art PHY.

Figure 2 is a conceptual block diagram of a data transmission system.

Figure 3 is a conceptual block diagram of a PHY.

5 Figure 4 is a flowchart of a method for providing link layer security.

Figure 5 is a flowchart of a method for managing packet collisions using a crypto engine.

FIGS 6a-6e are conceptual block diagrams showing various embodiments of providing communication between a PHY and associated security logic.

10

### DETAILED DESCRIPTION

Persons of ordinary skill in the art will realize that the following description is illustrative only and not in any way limiting. Other modifications and improvements will readily suggest themselves to such skilled persons having the benefit of this disclosure. In the following description, like reference numerals refer to like elements throughout.

15

This disclosure may relate to data communications. Various disclosed aspects may be embodied in various computer and machine readable data structures. Furthermore, it is contemplated that data structures embodying the teachings of the disclosure may be transmitted across computer and machine readable media, and through communications systems by use of standard protocols such as those used to enable the Internet and other computer networking standards.

20

The disclosure may relate to machine readable media on which are stored various aspects of the disclosure. It is contemplated that any media suitable for retrieving instructions is within the scope of the present disclosure. By way of example, such media may take the form of magnetic, optical, or semiconductor media, and may be configured to be accessible by a machine as is known in the art.

25

Various aspects of the disclosure may be described through the use of flowcharts. Often, a single instance of an aspect of the present disclosure may be shown. As is appreciated by those of ordinary skill in the art, however, the protocols, processes, and procedures described herein may be repeated continuously or as often as necessary to satisfy the needs described herein. Accordingly, the representation of various aspects of the present disclosure through the use of flowcharts should not be used to limit the scope of the present disclosure.

30

This disclosure provides security at the link layer of a system. In this regard, the link layer may be defined in accordance with the OSI reference standard. In particular, the I.E.E.E. 802.3 standard defines the link layer as devices residing between the MAC and medium, and is so defined herein.

35

In this disclosure, link layer security is provided in a transmission mode by encrypting data for confidentiality, authenticating data for integrity, or both as it is received from the MAC and prior being transmitted from the PHY. Conversely, in a receive mode, data is decrypted, authenticated, or both as it is received by the PHY, prior to presentation to the MAC.

5 Figure 2 is a diagram of a link layer data transmission system 205 configured in accordance with the teachings of this disclosure. The system 205 includes a transmitting device 200 coupled to a receiving device 260 through a medium 240.

The transmitting device 200 includes an ASIC configured to function as a MAC using techniques known in the art, and a PHY 230, such as that described in FIG. 1.

10 Coupled between the MAC 210 and the PHY 230 is a crypto device 220. The crypto device 220 is preferably configured to encrypt/authenticate the data packet 250 using DES, 3DES, MD5, SHA1, RC4, or AES, or other similar protocols.

In this example, the data packet is received by the crypto device 220 from the MAC 210, and encrypted/authenticated prior to being provided to the PHY 230 and transmitted onto  
15 medium 240.

The system 205 also includes a receiving device 260 that is configured similar to the transmitting device 200, including a MAC 270, a crypto device 280, and a PHY 290.

In the receiving device, the ciphered data packet 250 is received by the PHY 290 and provided to the crypto engine 280, where the data is decrypted/authenticated and provided to the  
20 MAC 270.

Of course, the operation disclosed in FIG. 2 may operate in the reverse path.

FIG. 3 is a conceptual block diagram of a further embodiment of a PHY configured in accordance with the teachings of this disclosure.

The embodiment of FIG. 3 provides that the crypto device is deployed on the same chip  
25 as the PHY, providing a single-chip link layer security solution.

The device 300 includes a MAC 310 and a PHY 305. The PHY 305 includes analog circuitry 330 configured in a receive mode for receiving data from the medium 350 and decoding the data into a form appropriate for the host device using techniques known in the art. In a transmit mode, the analog circuitry is configured to receive data from the MAC 310, and  
30 convert it into a form appropriate for the medium 350.

The PHY 305 further includes digital circuitry 320 configured for receiving data from the MAC 310 and converting the data into a form appropriate for the medium 350 in a transmit mode, and for receiving data from the analog circuitry 330 and converting it into a format appropriate for the MAC 310 in a receive mode.

35 The PHY 305 further includes memory and control circuitry 325 configured to control the operation of the PHY, and in particular the digital circuitry 320. The memory and control circuitry 325 will typically include circuitry to interface with the MAC 310 through a bus interface 360, such as a MII or a GMII or XGMII or XAUI or SGMII or RGMII.

The PHY 305 also includes a crypto module 340 coupled to the digital circuitry 320. The crypto module may include control and memory circuitry 345 for operation of the cryptographic functions. The crypto module 340 is preferably configured to encrypt/authenticate data received from the MAC 310 prior to presentation to the analog circuitry 330, and decrypt/authenticate data received from the analog circuitry 330 prior to presentation to the MAC 310. The crypto module may employ the cryptographic techniques disclosed above.

In a further embodiment, the crypto device 340 may be deployed using existing hardware already present in the PHY. It will be appreciated that by reusing existing hardware already present on the PHY to enable crypto features, significant real estate savings in the device may result.

It is contemplated that a wide array of PHY components may be reused when implementing the disclosed cryptographic features. For example, the crypto device may reuse the PHY's pin or interface layout, memory map, various elements of the state machine, logic gates, or even one or more of the above. Likewise, devices exist that contain multiple PHYs, such as an Octal PHY that contain 8 PHY interfaces. In these devices the reuse of pins and other elements that already exist in the PHY can reduce die and package size, thus making the devices less expensive to manufacture.

Similarly some chips incorporate the MAC as a portion of the PHY chip. In this case it may be possible to take advantage of elements from both the MAC and the PHY.

It is also contemplated that the additional functionality provided by the crypto device may be utilized for other functions or features. For example, the crypto device may be configured to perform data compression.

For example, in one embodiment, the device 300 of FIG. 3 may comprise a router in which the MAC 310 comprises an ASIC configured to also function as a switching fabric. In this case, there may be many PHYs present in the device, and by cross-utilizing the pre-existing structure of the PHY, additional security features may be added without additional chips.

In a further disclosed embodiment, the crypto device may be employed to improve the overall performance and reliability of a data transmission system.

As is appreciated by those of ordinary skill in the art, many such devices operate using a half duplex mode, where a common performance issue is the collision of data packets.

It is contemplated that the additional functionality provided by the encryption device may improve collision management.

In this embodiment, the encryption memory 345 may be employed to temporarily store the data and associated security information as the packet is transmitted. If a collision is detected, the stored information may be immediately reused and resent, without the need for the

processor or MAC to resend the data, or to send new security information such as a security association.

As will be appreciated by those having the benefit of this disclosure, this benefit may save processor cycle time, and may also improve performance by offloading some processing  
5 time from ASIC to the PHY.

It is contemplated that the crypto device may take advantage of certain areas of memory on the PHY. If the PHY complies with certain industry standards, such as I.E.E.E. 802.3, PHYs are provided with certain registers of memory that are reserved for specific purposes, known as the MII Management Interface. For example, registers 11-14 are reserved, and  
10 registers 16-31 are vendor-specific areas.

It is contemplated that security association database (SAD) used in the present disclosure may be directed to be written to certain areas in a predetermined order. For example, one bit in register 11 could be used to turn the crypto function on or off. Likewise, the crypto may need data, such as a key or security association, to perform a crypto function. This data  
15 could be accessed through register 12. This takes advantage of memory management techniques and structure already present. Of course, other registers may be used.

Another benefit of this disclosure may be realized as reduced traffic, as the PHY could be programmed to drop or “trash” received traffic that does not pass the decryption module. In this example, data that does not properly decrypt is flagged to be dropped by a subsequent  
20 module prior to being switched by the switching fabric, saving bandwidth in the switching fabric for other important functions. This could reduce the risk of an unauthorized user from bringing down a network or networked device due to denial of service attacks, thereby enhancing the reliability of the network. Alternatively, the security logic may interrupt the processor for further action.

Figure 4 is a flowchart of a method of encrypting/authenticating data at the link layer of a data transmission system. In act 400, the PHYs wishing to communicate may auto-negotiate a link using techniques known in the art. It is to be understood that the encryption/authentication techniques disclosed herein may also be applied prior to auto-negotiation of a link.  
25

In act 410, the MAC of the transmitting PHY (“TX PHY”) provides the data to be transmitted to the crypto engine. In act 420, the data is ciphered by the crypto engine and placed on the medium linking the PHYs by the TX PHY.  
30

In act 430, the receiving PHY (“RCV PHY”) receives the cipher data from the link and presents the data to the RCV PHY’s crypto engine, where the data is decrypted, authenticated,  
35 or both.

In act 440, the plain data is then passed to the MAC of the RCV PHY.

FIG. 5 is a flowchart of a method for managing packet collisions using a crypto engine.



In act 500, the MAC of the TX PHY provides the data to be transmitted to the crypto engine. In act 520, the data is encrypted, authenticated or both by the crypto engine and placed on the medium linking the PHYs by the TX PHY. As mention above, the PHYs wishing to communicate may auto-negotiate a link using techniques known in the art, but the data may  
5 also be encrypted prior to auto-negotiation of a link. At this point, the encrypted/authenticated data is stored by the encryption engine.

In query 530, the PHY determines whether a packet collision has occurred. If a collision has occurred, the stored packet is re-transmitted by the TX PHY. If no collision occurs, the communication process proceeds as normal and any data stored could be flushed or  
10 used space reclaimed.

FIGS 6a-6e are conceptual block diagrams showing various embodiments of providing communication between a PHY and associated security logic.

Referring generally to FIGS. 6a-6e, the device 600 includes a PHY 605 and crypto device security logic 620. It is to be understood that the disclosed embodiments may be  
15 implemented with the PHY and security logic deployed as either a one- or multiple-chip solution.

The PHY 605 and security logic 620 each include a communications module 610 and 625, respectively, configured to interface through a link 630. MAC data is presented to the PHY 605 through interface 640, and data signals are transmitted and received on the link  
20 medium 650.

In the embodiments disclosed herein, it is contemplated that any interface may be employed to communicate with the crypto device, such as MDIO/MDC (I.E.E.E. 802.3 PHY interface), S2W (Serial-to-Wire interface), I2C, or PCI (Peripheral Component Interface).

Referring first to FIG. 6a, an embodiment is disclosed where the MDIO/MDC  
25 interface 645 of the PHY 605 is utilized to control the crypto process. The security information is passed to the PHY using the MDIO/MDC interface, and the PHY then decodes the security information and controls the security logic by communicating through the link 630.

In this embodiment, the security information may be passed to predetermined memory  
30 registers in the communications module 610 of the PHY 605, and then communicated to the security logic 620 using control signals, a FIFO, or other techniques known in the art, such as a state machine.

In a further embodiment, the communications modules of the PHY and security logic may be configured such that only security parameters are communicated over the link.

Referring now to FIG. 6b, an embodiment is shown where an interface 655 is provided  
35 that operates using a protocol other than MDIO/MDC. This embodiment uses separate interface 655 coupled directly to the communications module 625 of the security logic 620. Thus, the crypto information is provided directly to the crypto device at the PHY layer.

Referring now to FIG. 6c, an embodiment is shown whereby PHY logic is incorporated in to the security logic and coupled to the PHY through link 660, and the MDIO/MDC interface 645 is utilized to control both the PHY 605 and security logic 620.

5 This embodiment thus provides the MDIO/MDC interface to both the PHY and security logic. It is contemplated that in this embodiment, the PHY and the security logic may be configured to read separate areas of the PHY register memory space. It is further contemplated that this embodiment is especially advantageous for single-chip solutions.

10 Referring now to FIG. 6d, an embodiment is shown where a master communications module 670 is provided to interface with link 655. In this embodiment, the master communications module 670 is provided to provide connectivity using a communications protocol other than the MDIO/MDC protocol.

The master communications module 670 is then coupled to both the PHY and security logic to provide control to each. The master communications device 670 may communicate with the PHY 605 and security logic 620 using an MDIO/MDC interface.

15 It will be appreciated that the MDIO/MDC interface may be optional, and control may be provided through the interface link 655.

20 Referring now to FIG. 6e, an embodiment is provided where the MDIO/MDC interface 655 is provided directly to the security logic, and the communications module 625 of the security logic 620 provides control signals for the PHY 605. The security logic 620 and PHY 605 may communicate using an MDIO/MDC interface. It is contemplated that mirror registers may be provided in the communications modules of both the PHY and security logic.

25 In a further embodiment, the communications module of the security logic may be configured to interface using a protocol other than the MDIO/MDC protocol, and then control the PHY using an MDIO/MDC interface. It is contemplated that this embodiment may be useful to control multiple devices residing on the same chip.

Additionally, the communications modules of the PHY and security logic may be configured such that only security parameters are communicated over the link.

30 In a further embodiment, the security logic may be configured to periodically poll the registers of the PHY and update the contents of the registers of the security logic. Additionally, cache memory may be provided to allow the PHY to communication through the security device using memory paging techniques.

35 While embodiments and applications of this disclosure have been shown and described, it would be apparent to those skilled in the art that many more modifications and improvements than mentioned above are possible without departing from the inventive concepts herein. The disclosure, therefore, is not to be restricted except in the spirit of the appended claims.

What is claimed is:

1. An apparatus for providing link layer security in a Physical Layer Transceiver (PHY) comprising:

5 analog circuitry configured to transmit to, and receive data from, a data transmission medium;

digital circuitry coupled to said analog circuitry, said digital circuitry configured to transmit to, and receive from, a Media Access Controller (MAC);

a PHY communications module coupled to said analog and digital circuitry;

a crypto engine coupled to said digital circuitry;

10 a crypto communications module coupled to said crypto engine; and

said PHY communications module being operatively coupled to said crypto communications module.

2. The apparatus of claim 1, wherein said PHY communications module is configured to provide connectivity through a MDIO/MDC interface, and said PHY controls the operation of said crypto device.

3. The apparatus of claim 1, wherein:

said PHY communications module is configured to provide connectivity through a MDIO/MDC interface;

20 said crypto communications module is configured to provide connectivity through an interface other than a MDIO/MDC interface.

4. The apparatus of claim 1, wherein:

said PHY communications module is configured to provide connectivity through a MDIO/MDC interface; and

said crypto communications module is coupled to said MDIO/MDC interface.

25 5. The apparatus of claim 1, further comprising a master communications module coupled between said PHY communications module and said crypto communications module.

6. The apparatus of claim 1, wherein said crypto communications module is configured to provide connectivity through a MDIO/MDC interface, and said crypto device controls the operation of said PHY.

30 7. The apparatus of claim 1, wherein said PHY communications module is configured to provide connectivity through a serial wire interface.

8. The apparatus of claim 7, wherein said serial wire interface is configured to communicate with a plurality of devices.

35 9. The apparatus of claim 8, wherein said plurality of devices include at least one device that communicates at the PHY level, and at least one device that performs security functions.

10. The apparatus of claim 7, wherein said serial wire interface communicates with at least one device that performs both PHY and Security functions.

11. An apparatus for providing link layer security in a Physical Layer Transceiver (PHY) comprising:

analog circuitry means for providing connectivity to a data transmission medium;

5 digital circuitry means coupled to said analog circuitry means, said digital circuitry providing connectivity to a Media Access Controller (MAC);

PHY communications means coupled to said analog and digital circuitry means;

crypto engine means coupled to said digital circuitry means;

crypto communications means coupled to said crypto engine means; and

10 said PHY communications means being operatively coupled to said crypto communications module.

12. The apparatus of claim 11, wherein said PHY communications means being configured for providing connectivity through a MDIO/MDC interface, and said PHY controls the operation of said crypto device.

15 13. The apparatus of claim 11, wherein:

PHY communications means being configured for providing connectivity through a MDIO/MDC interface;

said crypto communications means being configured for providing connectivity through an interface other than a MDIO/MDC interface.

20 14. The apparatus of claim 11, wherein:

said PHY communications means is configured to provide connectivity through a MDIO/MDC interface; and

said crypto communications means is coupled to said MDIO/MDC interface.

25 15. The apparatus of claim 11, further comprising master communications means coupled between said PHY communications means and said crypto communications means.

16. The apparatus of claim 11, wherein said crypto communications means is configured to provide connectivity through a MDIO/MDC interface, and said crypto device means controls the operation of said PHY.

30 17. The apparatus of claim 11, wherein said PHY communications means is configured to provide connectivity through serial wire interface means.

18. The apparatus of claim 17, wherein said serial wire interface means is configured to communicate with a plurality of devices.

35 19. The apparatus of claim 18, wherein said plurality of devices include at least one device that communicates at the PHY level, and at least one device that performs security functions.

20. The apparatus of claim 17, wherein said serial wire interface communicates with at least one device that performs both PHY and Security functions.

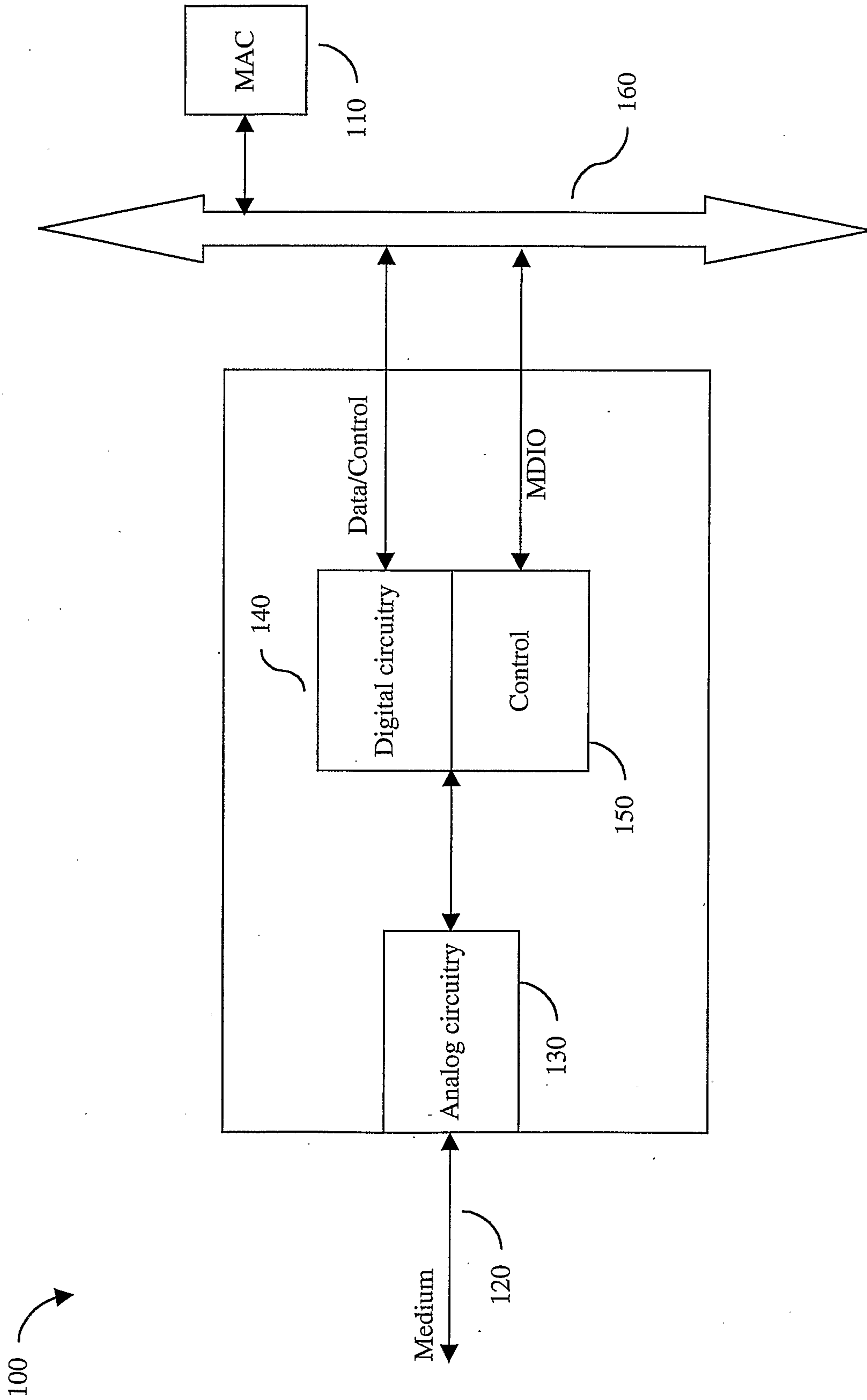


FIG. 1  
Prior Art

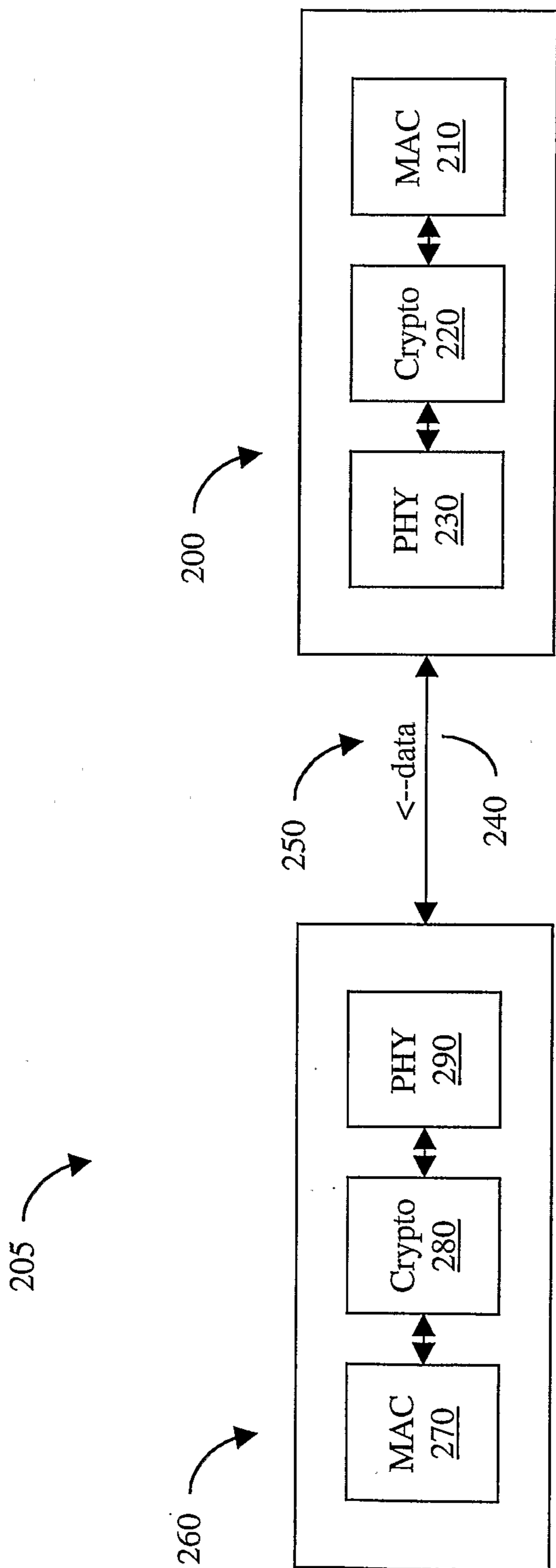


FIG. 2

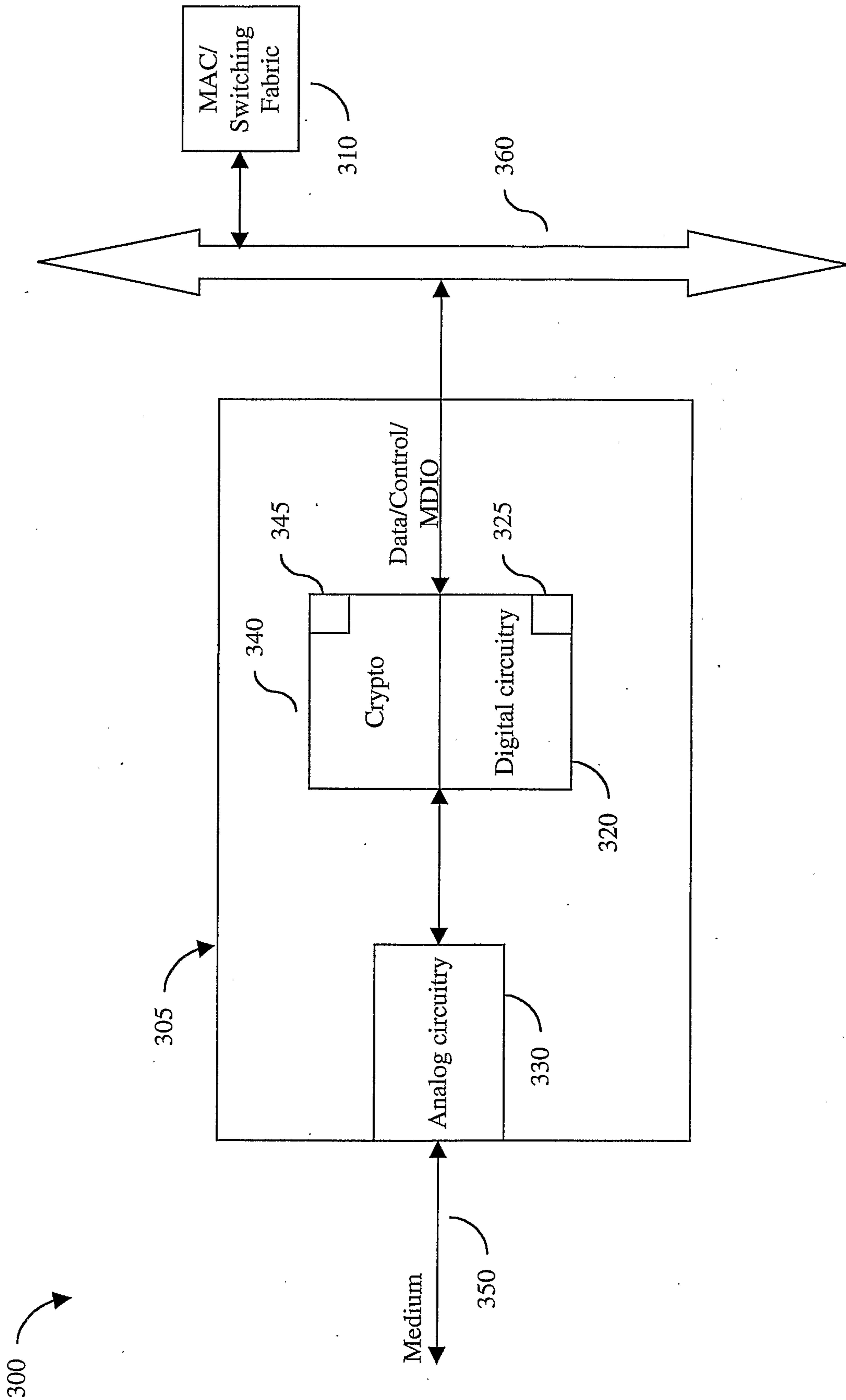


FIG. 3

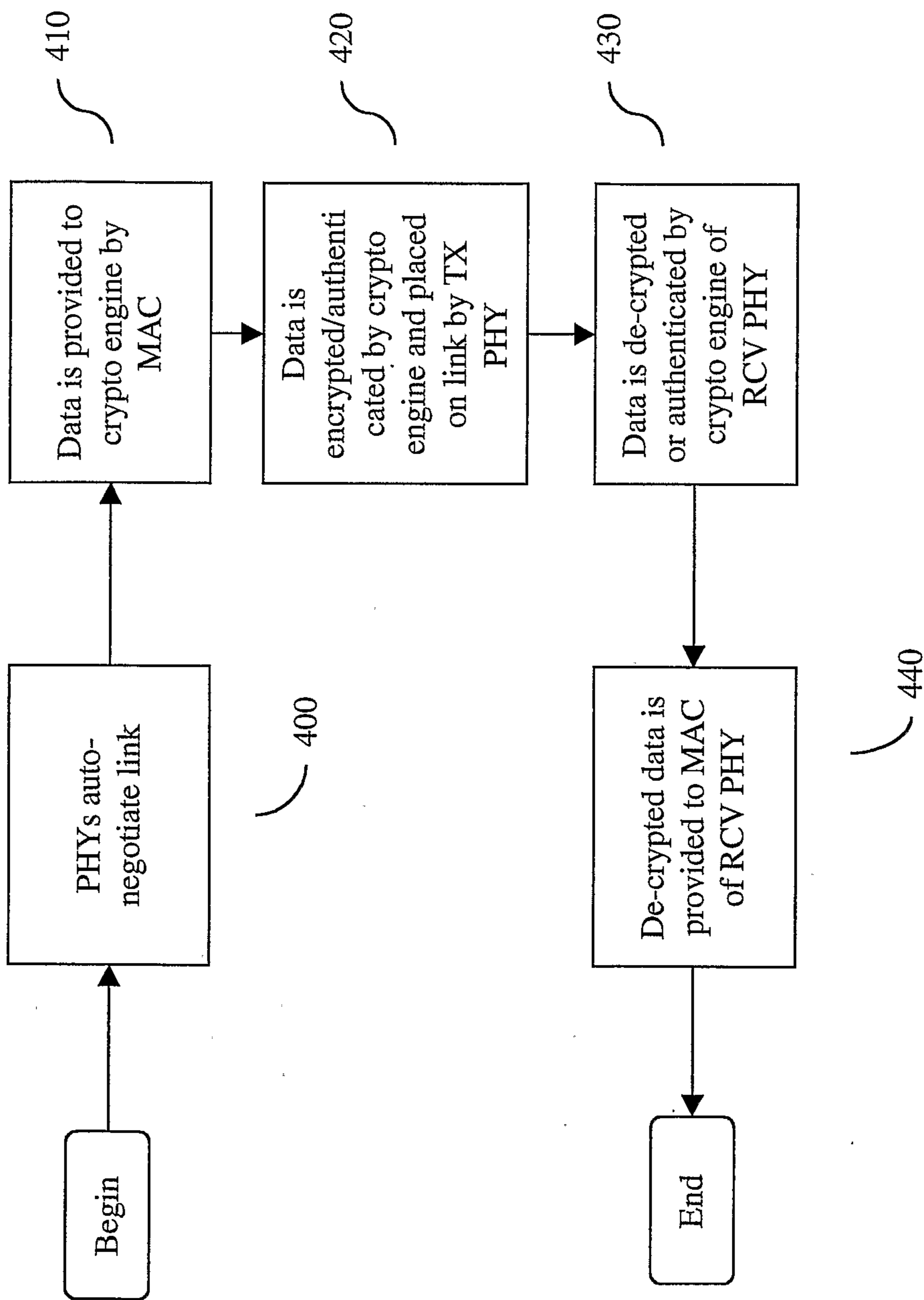


FIG. 4



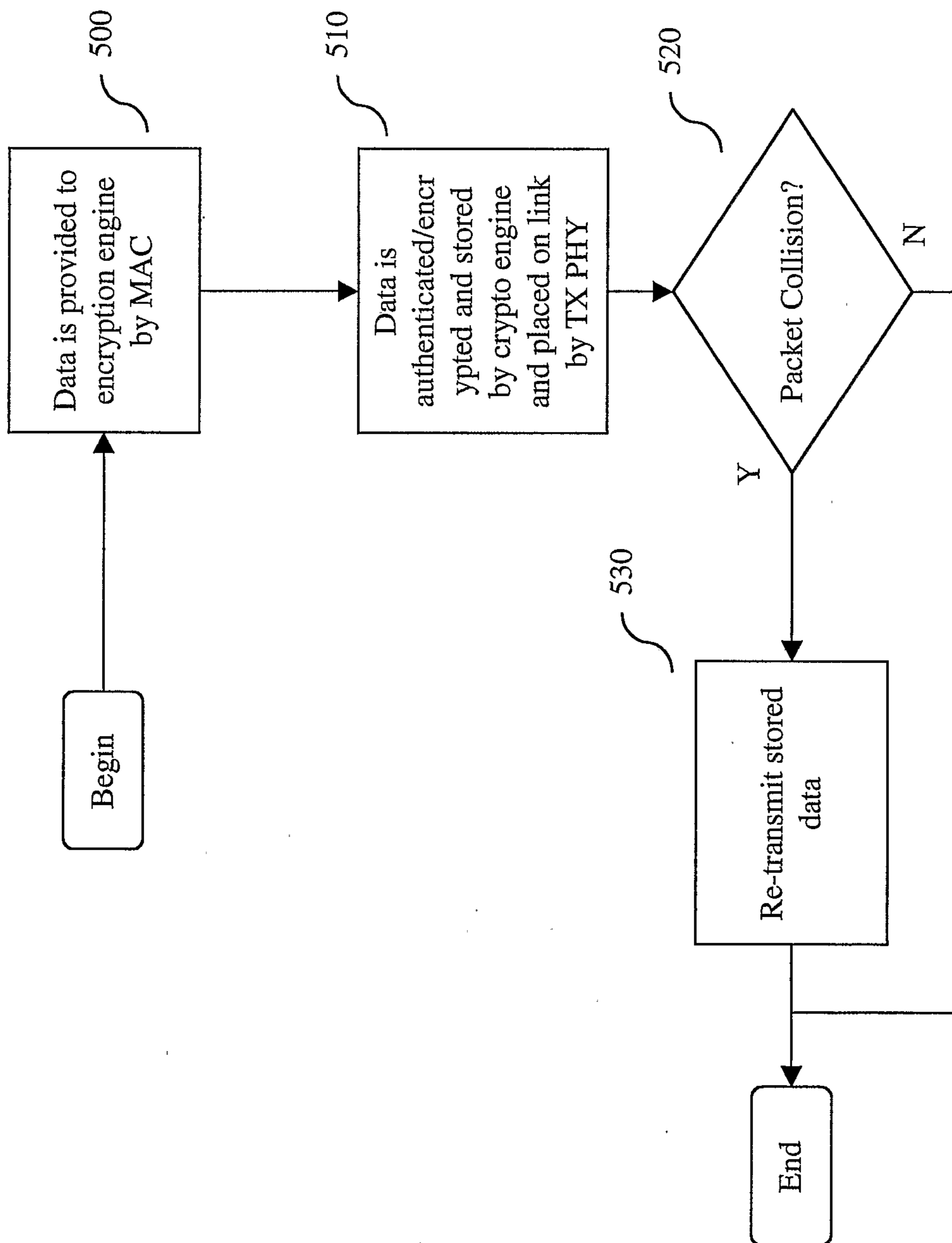


FIG. 5

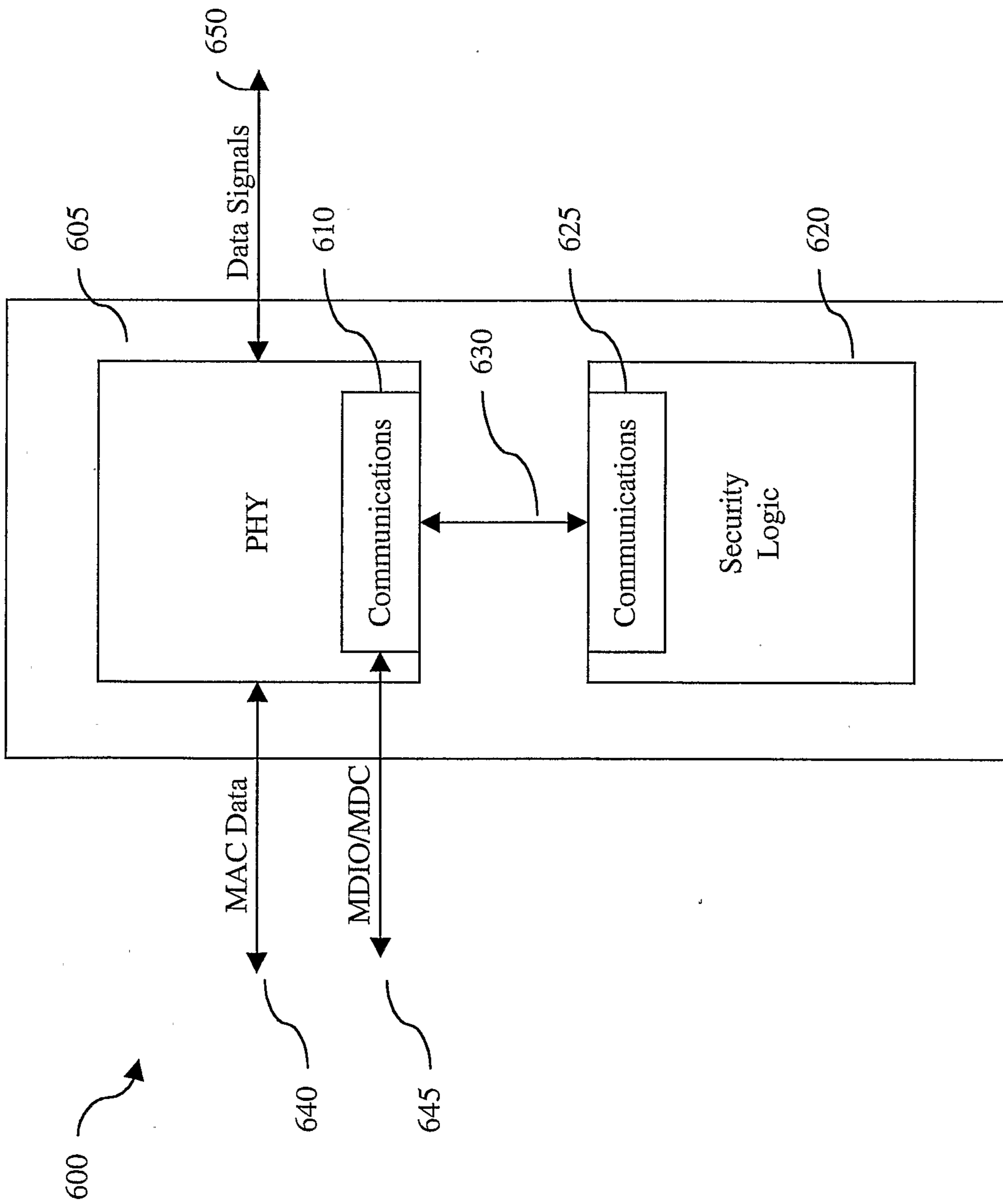


FIG. 6a

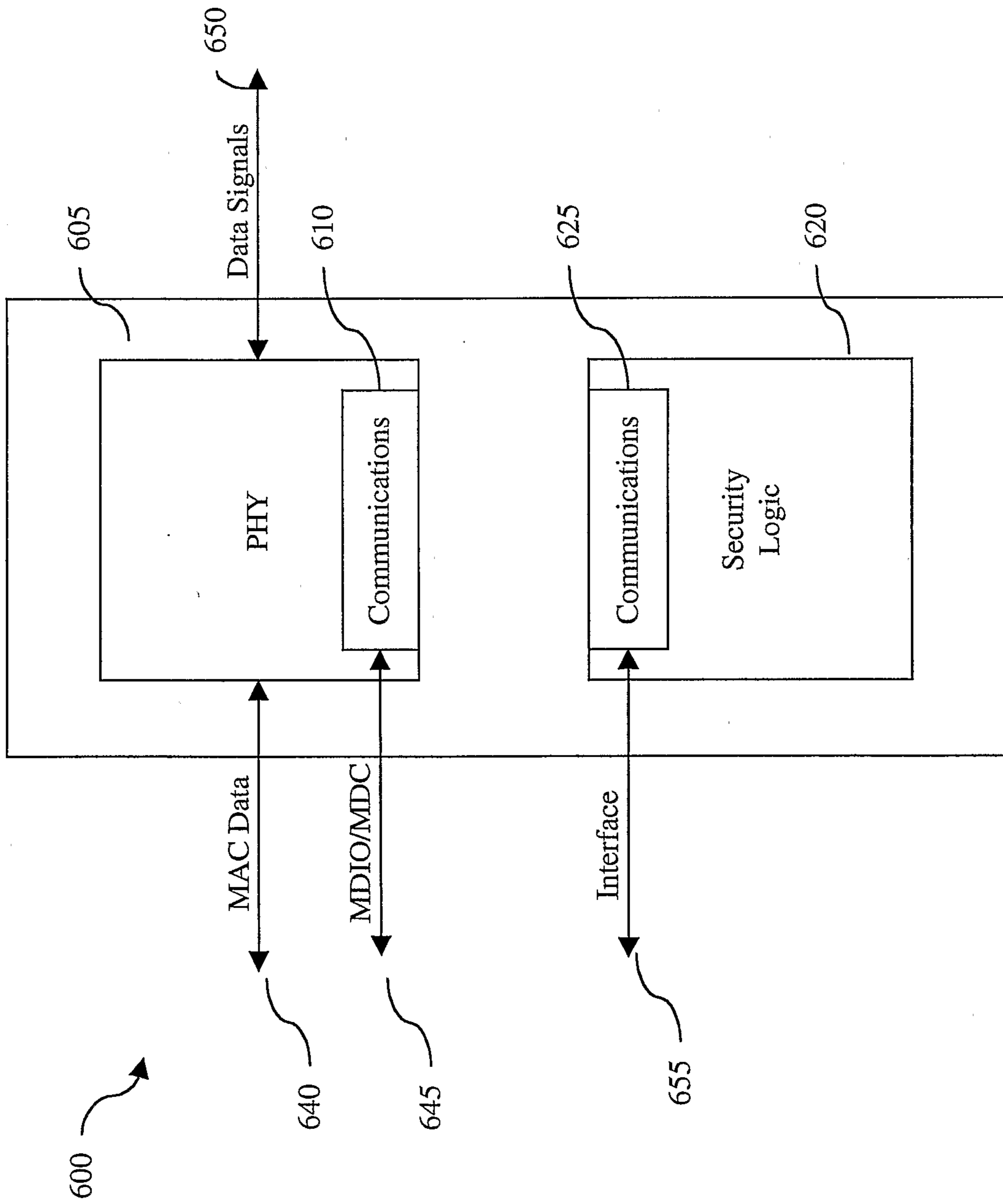


FIG. 6b

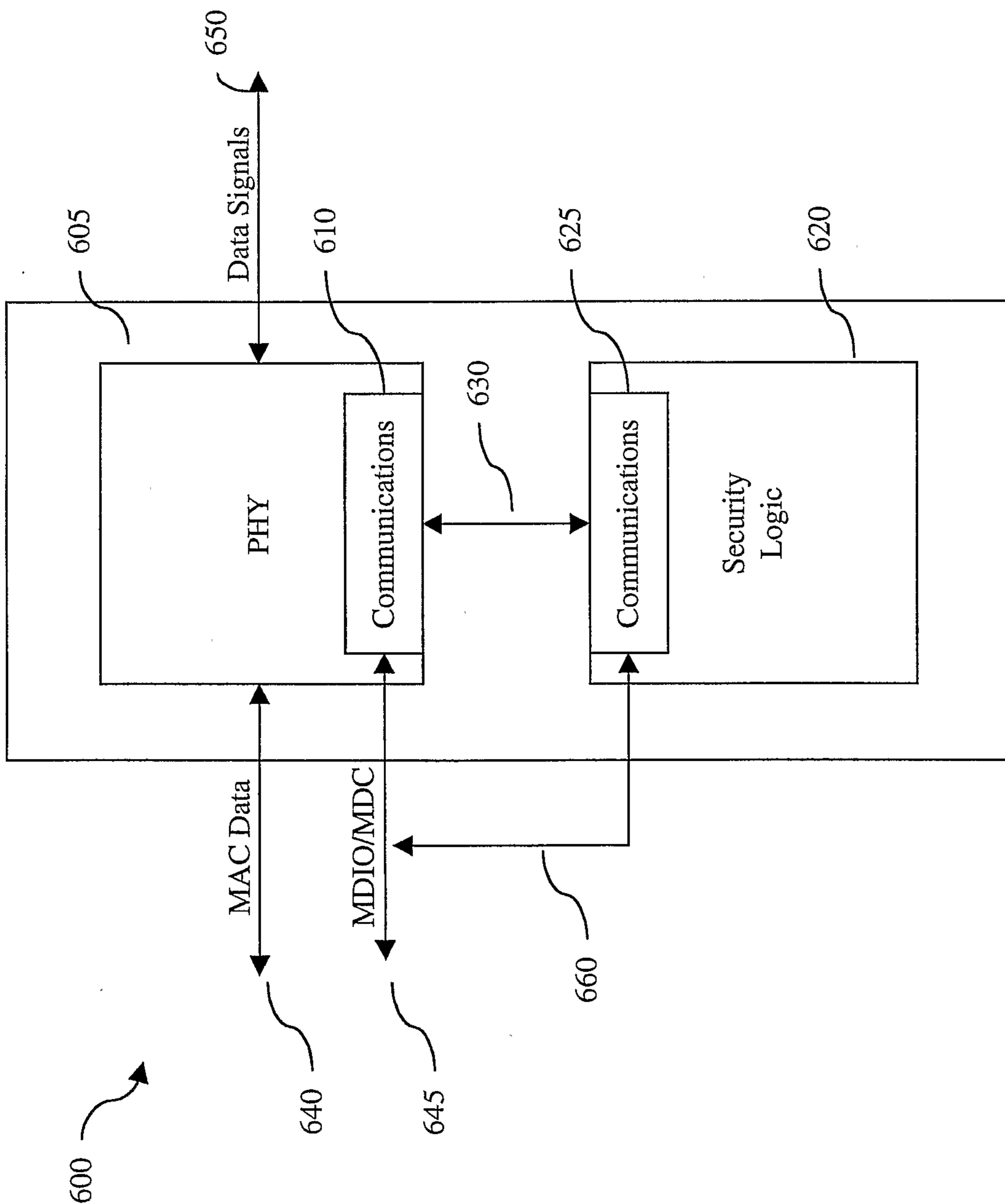


FIG. 6c

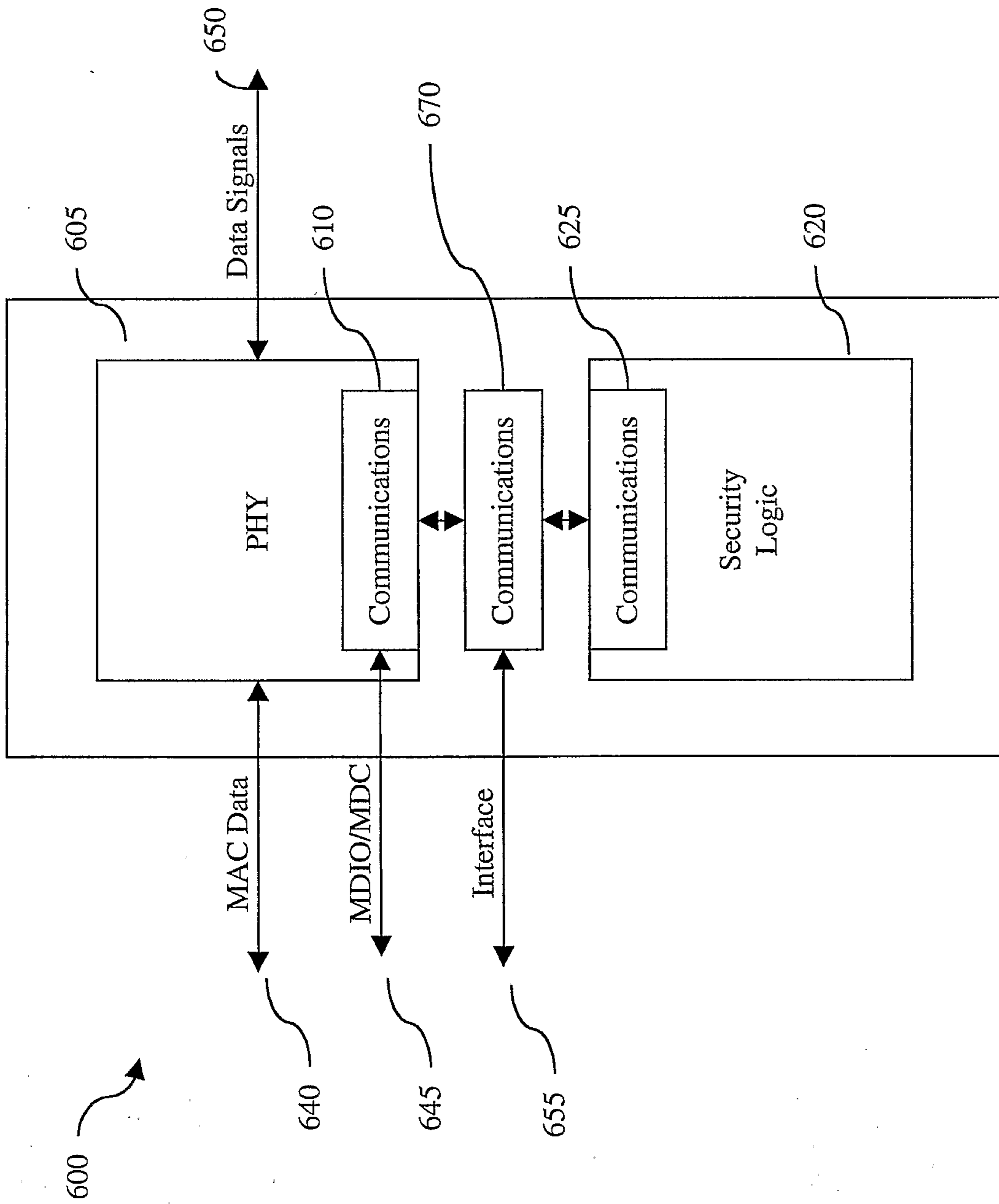


FIG. 6d

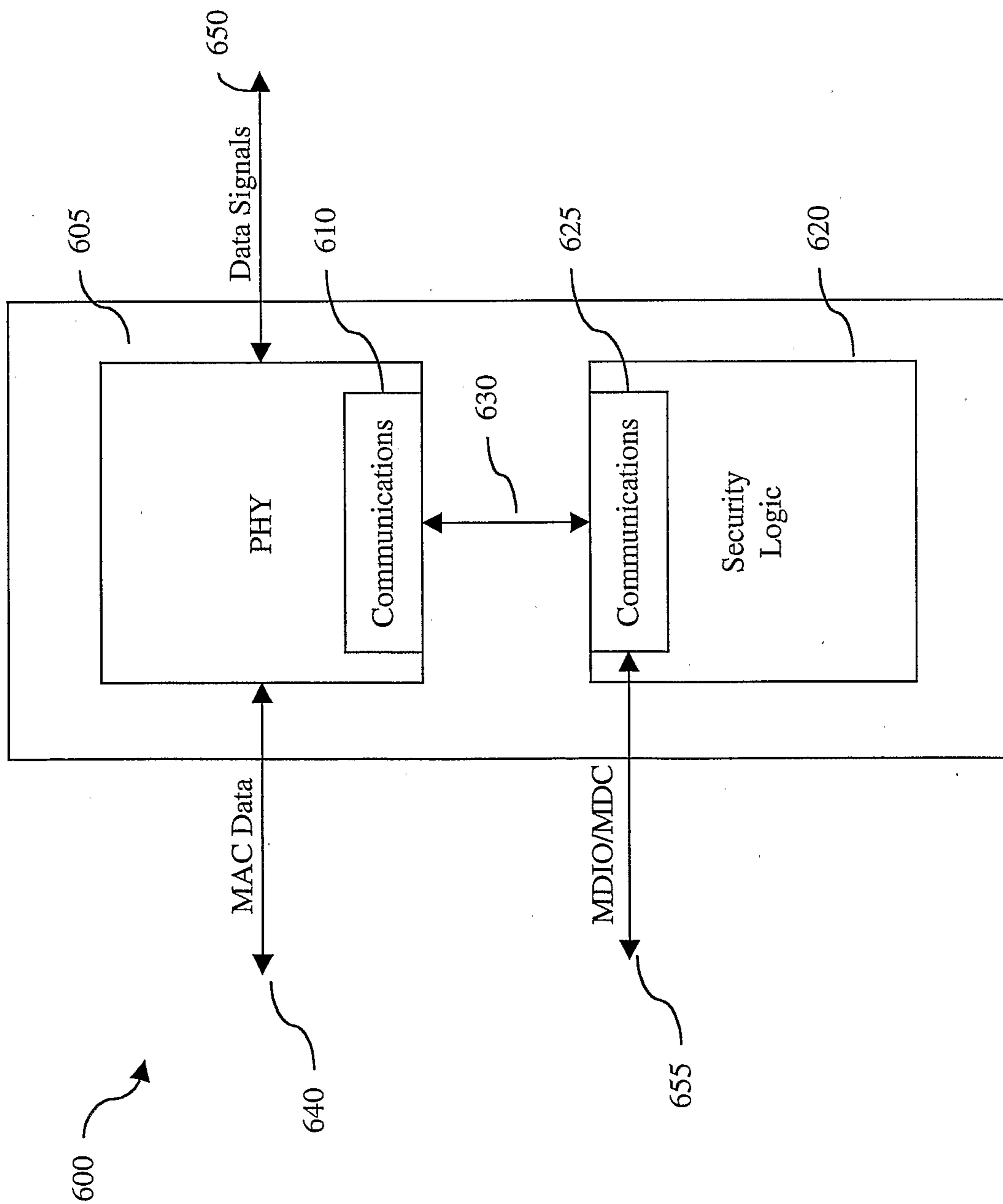


FIG. 6e

300

