



US00D747152S

(12) **United States Design Patent**
Smith

(10) **Patent No.:** **US D747,152 S**

(45) **Date of Patent:** **** Jan. 12, 2016**

(54) **UNDER CABINET-MOUNTED SPICE RACK**

(71) Applicant: **Luke A. Smith**, Howell, MI (US)

(72) Inventor: **Luke A. Smith**, Howell, MI (US)

(**) Term: **14 Years**

(21) Appl. No.: **29/499,973**

(22) Filed: **Aug. 20, 2014**

5,244,272	A *	9/1993	Thompson	A47B 88/06	312/323
5,711,288	A	1/1998	Sparks			
5,957,558	A *	9/1999	Quade	A47B 88/06	312/246
6,318,567	B1	11/2001	Braley			
D468,162	S	1/2003	Martin			
7,275,647	B1	10/2007	Thompson			
2010/0007253	A1 *	1/2010	Ryerson	A47B 88/18	312/247
2010/0201238	A1 *	8/2010	Caputo	A47B 88/22	312/325
2013/0025510	A1 *	1/2013	White	E05B 37/20	109/51
2014/0091685	A1 *	4/2014	Greenwood	A47B 73/00	312/72

Related U.S. Application Data

(63) Continuation of application No. 13/227,096, filed on Sep. 7, 2011, now abandoned.

(51) **LOC (10) Cl.** **07-06**

(52) **U.S. Cl.**
USPC **D7/600.1**

(58) **Field of Classification Search**
USPC D7/600.1-600.4; D6/512, 705-705.7;
211/85.29, 74, 80; 312/323, 246,
312/334.19, 330.1, 204, 328, 327, 321.5,
312/326, 322, 248, 233, 325, 72, 348.3
CPC A47B 88/06; A47B 88/18
See application file for complete search history.

* cited by examiner

Primary Examiner — Terry Wallace

(74) *Attorney, Agent, or Firm* — Robert C. Montgomery; Montgomery Patent & Design, LP

(57) **CLAIM**

The ornamental design for an under cabinet-mounted spice rack, as shown and described.

DESCRIPTION

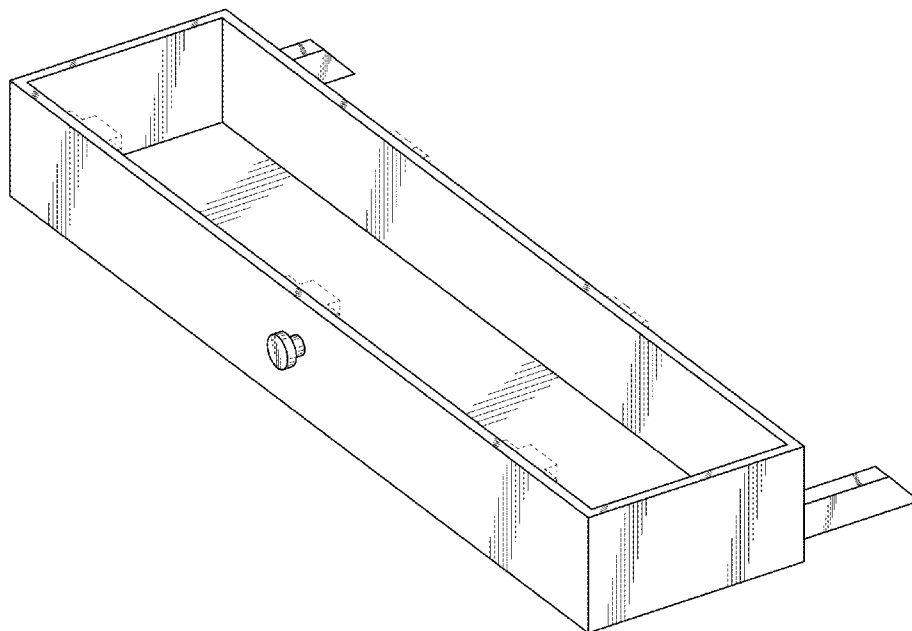
FIG. 1 is a perspective front view of an under cabinet-mounted spice rack, showing my new design; FIG. 2 is a front side view thereof; FIG. 3 is a back side view thereof; FIG. 4 is a right side view with the left side view being a mirror image thereof; FIG. 5 is a top side view thereof; and, FIG. 6 is a bottom side view thereof. The broken lines are for illustrative purposes only and form no part of the claimed design.

(56) **References Cited**

U.S. PATENT DOCUMENTS

2,839,349	A *	6/1958	Culver	A47B 88/06	312/323
3,307,709	A	3/1967	Hulterstrum			
3,851,936	A	12/1974	Muller			
4,378,889	A	4/1983	Lebowitz			
4,441,771	A *	4/1984	Roesler	A47B 88/18	312/322
4,714,305	A	12/1987	Service			

1 Claim, 6 Drawing Sheets



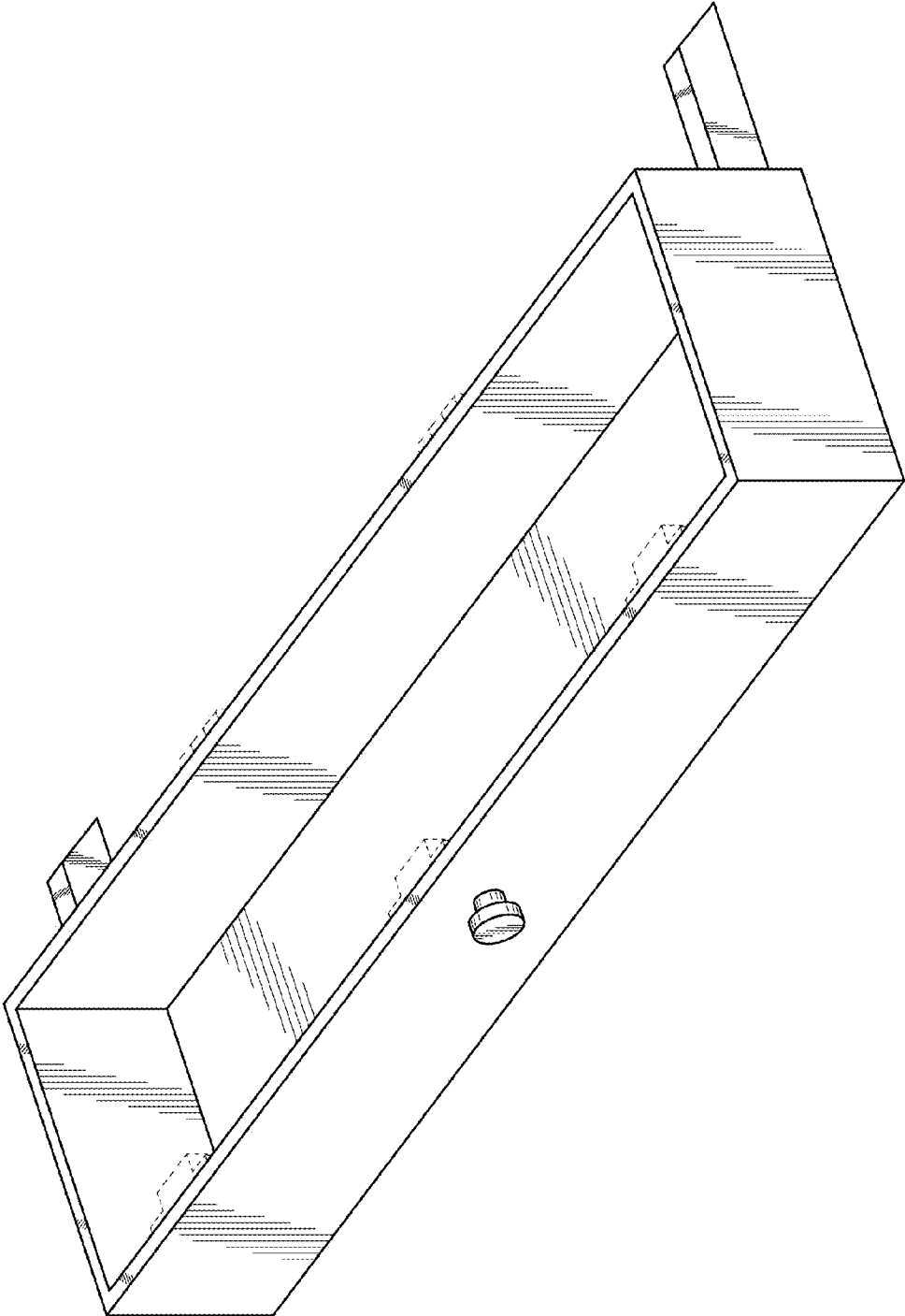


Fig. 1

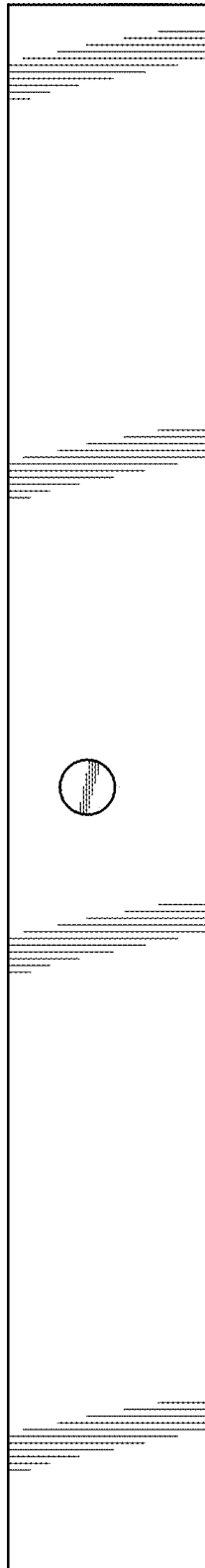


Fig. 2

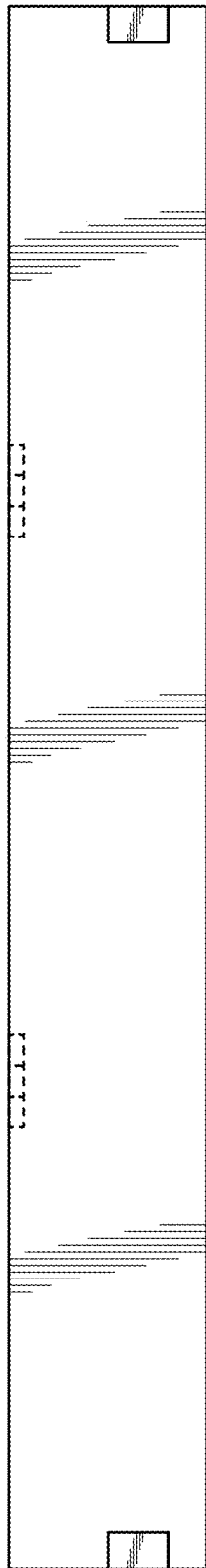


Fig. 3

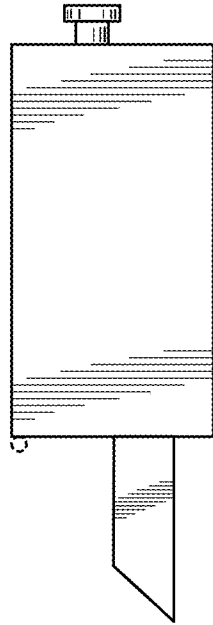


Fig. 4

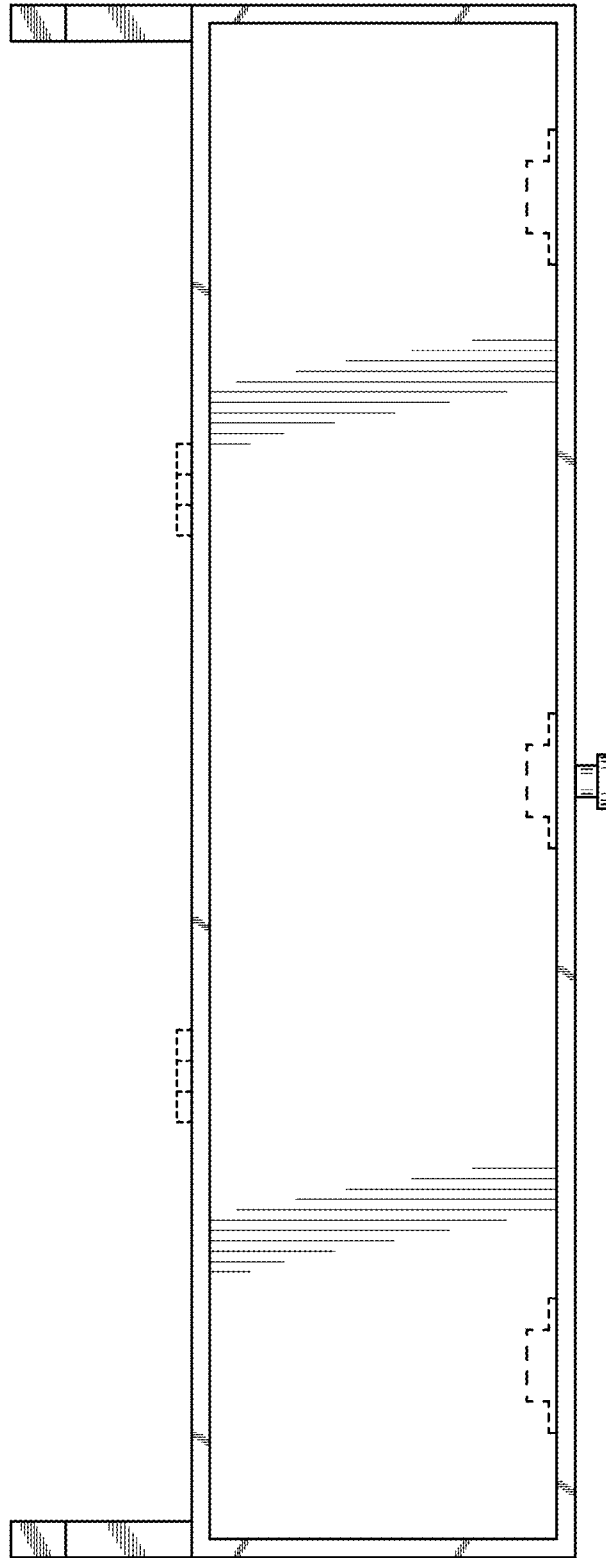


Fig. 5

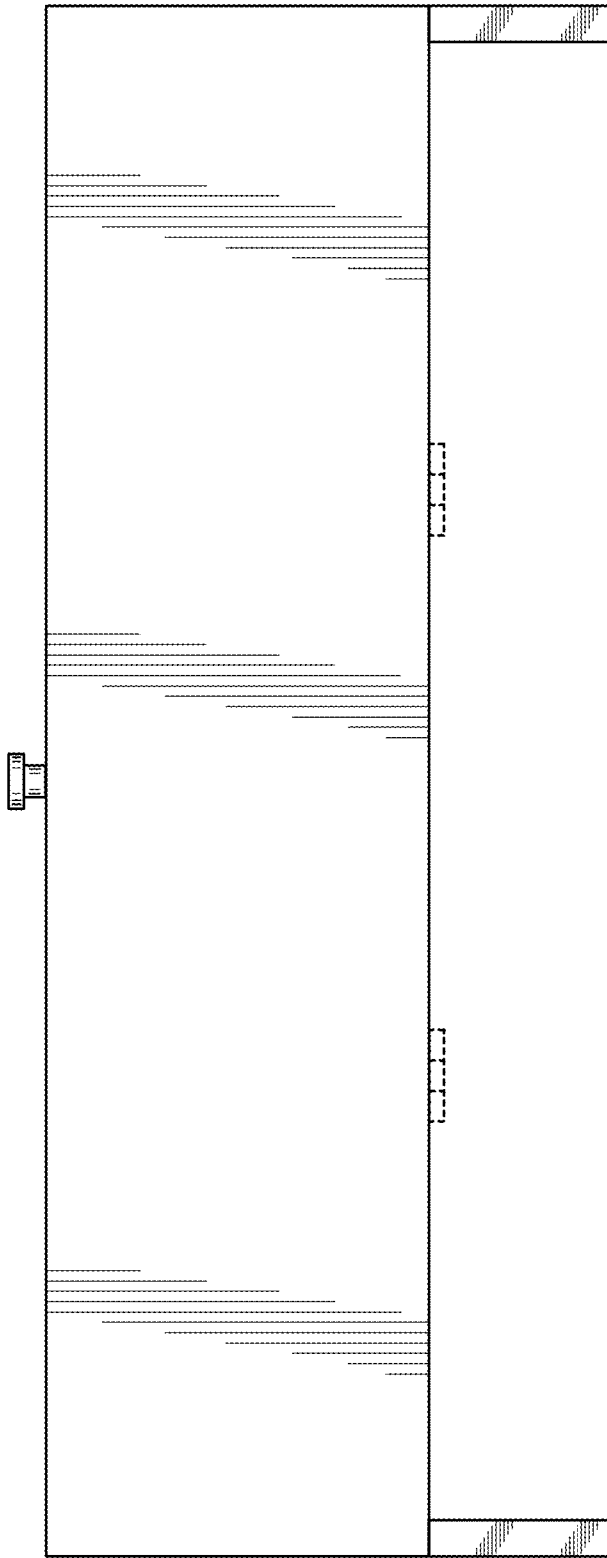


FIG. 6