



(12) **United States Design Patent**
Lazarini et al.

(10) **Patent No.:** **US D941,663 S**
(45) **Date of Patent:** **** Jan. 25, 2022**

- (54) **ROBE HOOK**
- (71) Applicant: **DELTA FAUCET COMPANY**,
Indianapolis, IN (US)
- (72) Inventors: **Alejandra Lazarini**, Carmel, IN (US);
Anthony G. Spangler, Indianapolis, IN (US)
- (73) Assignee: **DELTA FAUCET COMPANY**,
Indianapolis, IN (US)
- (**) Term: **15 Years**
- (21) Appl. No.: **29/712,968**
- (22) Filed: **Nov. 13, 2019**
- (51) **LOC (13) Cl.** **08-05**
- (52) **U.S. Cl.**
USPC **D8/367**
- (58) **Field of Classification Search**
USPC D8/367, 354, 349, 373; D6/323;
248/301-304, 339
CPC A47G 1/00; A47G 25/00
See application file for complete search history.

D356,941 S *	4/1995	Reddick	D8/367
D374,602 S *	10/1996	Protz, Jr.	D8/367
D658,029 S *	4/2012	Fulkerson	D8/307
D670,997 S *	11/2012	Thompson	D8/367
D761,093 S *	7/2016	Liu	D8/367
D811,201 S *	2/2018	Berger	D8/367
D811,862 S *	3/2018	Berger	D8/367
D812,454 S *	3/2018	Berger	D8/367
D818,353 S *	5/2018	Sacks	D8/367
D821,184 S *	6/2018	Berger	D8/367
D842,083 S *	3/2019	Thompson	D8/367
D864,697 S *	10/2019	Gnocchini	D8/367
D867,771 S *	11/2019	Zhong	D6/323
D879,596 S *	3/2020	Li	D8/367
10,842,304 B2 *	11/2020	Ye	A47G 29/087
D911,735 S *	3/2021	Spangler	D6/523
D911,736 S *	3/2021	Lazarini	D6/523
D918,698 S *	5/2021	Man	D8/367
D924,035 S *	7/2021	Lazarini	D8/307

* cited by examiner

Primary Examiner — Cynthia R Underwood
(74) *Attorney, Agent, or Firm* — Nirav D. Parikh; Edgar A. Zarins

(56) **References Cited**

U.S. PATENT DOCUMENTS

2,679,998 A *	6/1954	Keller	F16B 47/003 248/205.3
2,765,998 A *	10/1956	Engert	A47G 1/17 248/467
D212,553 S *	10/1968	Ye	D8/367
3,637,181 A *	1/1972	Janssen	A47G 1/17 248/205.3
4,003,538 A *	1/1977	Frye	B32B 27/304 248/544
4,756,498 A *	7/1988	Frye	A47G 1/17 248/205.3
5,121,896 A *	6/1992	Frye	F16B 47/003 248/205.3
D327,641 S *	7/1992	Hoskinson	D8/367

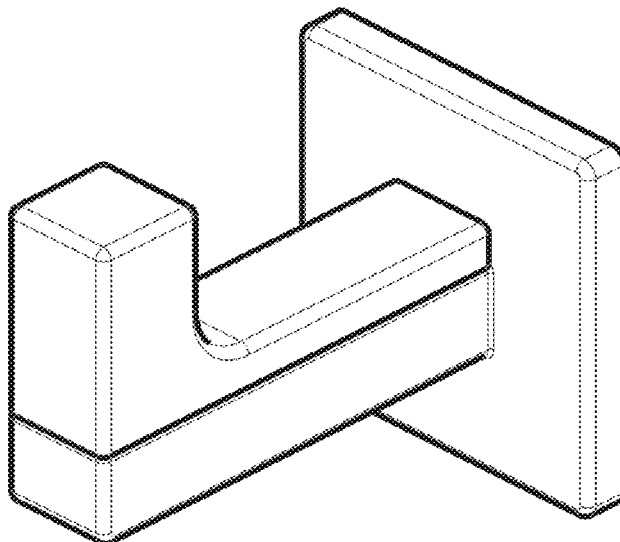
(57) **CLAIM**

The ornamental design for a robe hook, as shown and described.

DESCRIPTION

FIG. 1 is a front perspective view of a robe hook showing my new design;
FIG. 2 is a rear perspective view thereof;
FIG. 3 is a front elevational view thereof;
FIG. 4 is a left side view thereof;
FIG. 5 is a rear view thereof;
FIG. 6 is a right side view thereof;
FIG. 7 is a top plan view thereof; and,
FIG. 8 is a bottom view thereof.

1 Claim, 4 Drawing Sheets



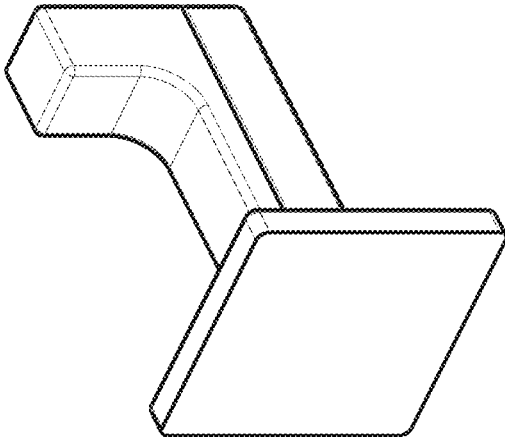


FIG-2

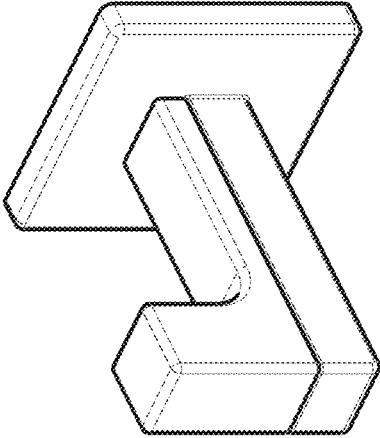


FIG-1

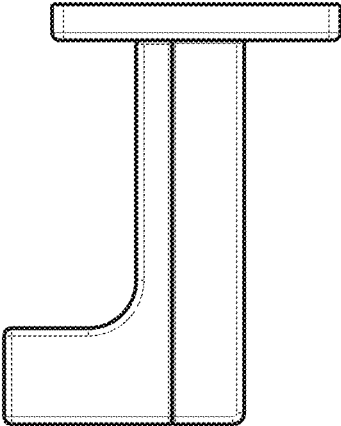


FIG - 4

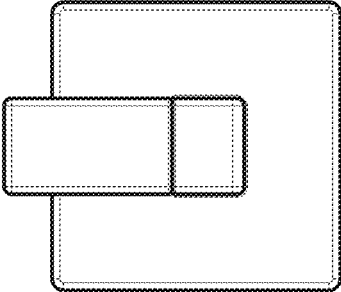


FIG - 3

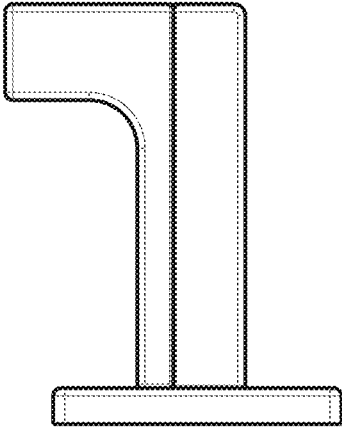


FIG - 6

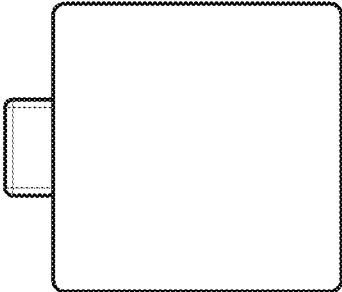


FIG - 5

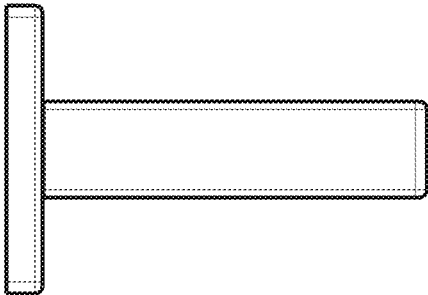


FIG-8

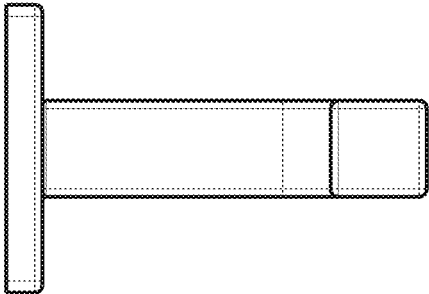


FIG-7