



US00D970253S

(12) **United States Design Patent**
Graf et al.

(10) **Patent No.:** **US D970,253 S**

(45) **Date of Patent:** **** Nov. 22, 2022**

- (54) **SPORTS EQUIPMENT RACK**
- (71) Applicants: **Steven T. Graf**, Westport, CT (US);
Zhachary R. Pham, Denver, CO (US)
- (72) Inventors: **Steven T. Graf**, Westport, CT (US);
Zhachary R. Pham, Denver, CO (US)

D340,608	S	*	10/1993	Hubbard	D6/567
D340,828	S	*	11/1993	Hubbard	D6/567
D341,051	S	*	11/1993	Hubbard	D6/567
D368,648	S	*	4/1996	Losier	D8/356
D372,827	S	*	8/1996	Roche	D6/567
D392,142	S	*	3/1998	Weisburn	D6/567
D457,369	S	*	5/2002	Fiscus	D6/552
6,481,583	B1	*	11/2002	Black	B25H 3/04 211/89.01
D488,054	S	*	4/2004	Myers	D8/356
D557,541	S	*	12/2007	Corbell	D6/552
D573,528	S	*	7/2008	Roche	D12/406
D705,885	S	*	5/2014	Peterson	D22/108
D725,223	S	*	3/2015	Heidkamp	D22/109
D737,925	S	*	9/2015	Norberg	D22/109
D790,127	S	*	6/2017	Verleur	D6/552

(**) Term: **15 Years**

(21) Appl. No.: **29/762,906**

(22) Filed: **Dec. 18, 2020**

(51) **LOC (13) Cl.** **12-16**

(52) **U.S. Cl.**
USPC **D6/552; D12/406**

(58) **Field of Classification Search**
 USPC D21/782, 783, 385; D6/552, 567, 569,
 D6/571, 572; 473/1, 42, 43, 44, 46, 50,
 473/19, 21, 22; 211/68, 60.1, 63, 70.1,
 211/90.1; 206/579, 315.1; D12/406,
 D12/400, 412-414
 CPC A63D 15/10; A63D 15/16; A63D 15/00;
 B60R 7/14; B60R 9/02; A47B 81/005;
 A47B 96/02
 See application file for complete search history.

(Continued)

OTHER PUBLICATIONS

RigStrips website, SnoStrip, Jul. 23, 2021, <https://www.rigstrips.com/collections/all/products/new-magnetic-snostrip-34-95> (Year: 2021).*

Primary Examiner — Nathan M Johnston

(57) **CLAIM**

The ornamental design for a sports equipment rack, as shown and described.

(56) **References Cited**

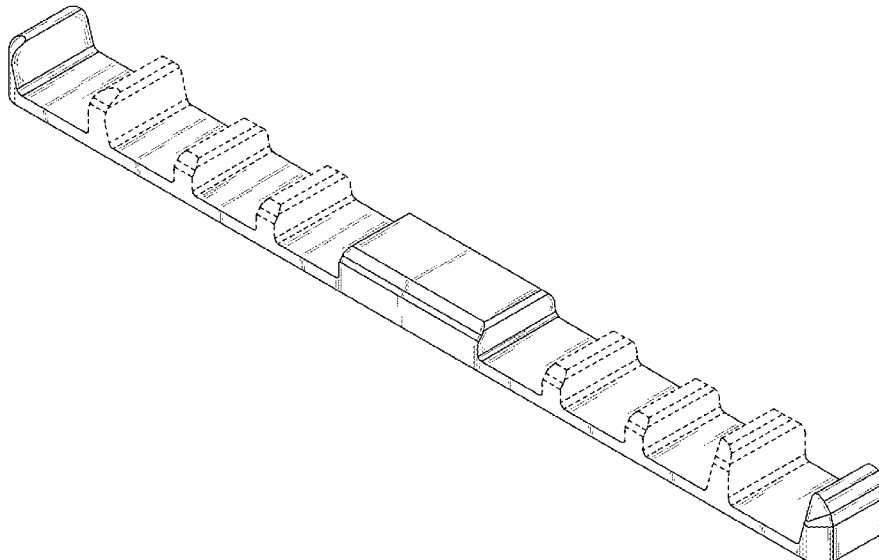
U.S. PATENT DOCUMENTS

2,099,906	A	*	11/1937	Reese	A47K 1/09 D7/637
3,217,891	A	*	11/1965	Weaver	B01L 9/54 211/74
4,134,499	A	*	1/1979	Joswig	B25H 3/04 248/316.3
4,410,095	A	*	10/1983	Dembicks	A47F 5/08 248/225.11
D303,192	S	*	9/1989	Bogar, III	D6/552
D321,126	S	*	10/1991	Westphal	D8/380
D340,606	S	*	10/1993	Hubbard	D6/567
D340,607	S	*	10/1993	Hubbard	D6/567

DESCRIPTION

FIG. 1 is a top isometric view of a sports equipment rack showing the design;
 FIG. 2 is a bottom isometric view thereof;
 FIG. 3 is a front view thereof;
 FIG. 4 is a rear view thereof;
 FIG. 5 is a left view thereof;
 FIG. 6 is a right view thereof;
 FIG. 7 is a top view thereof; and,
 FIG. 8 is a bottom view thereof.
 The broken lines form no part of the claimed design.

1 Claim, 7 Drawing Sheets



(56)

References Cited

U.S. PATENT DOCUMENTS

2003/0080079 A1* 5/2003 Wu F16B 2/16
211/89.01
2005/0269275 A1* 12/2005 Lin B25H 3/04
211/70.6
2008/0087785 A1* 4/2008 Roche A47B 81/005
248/309.4

* cited by examiner

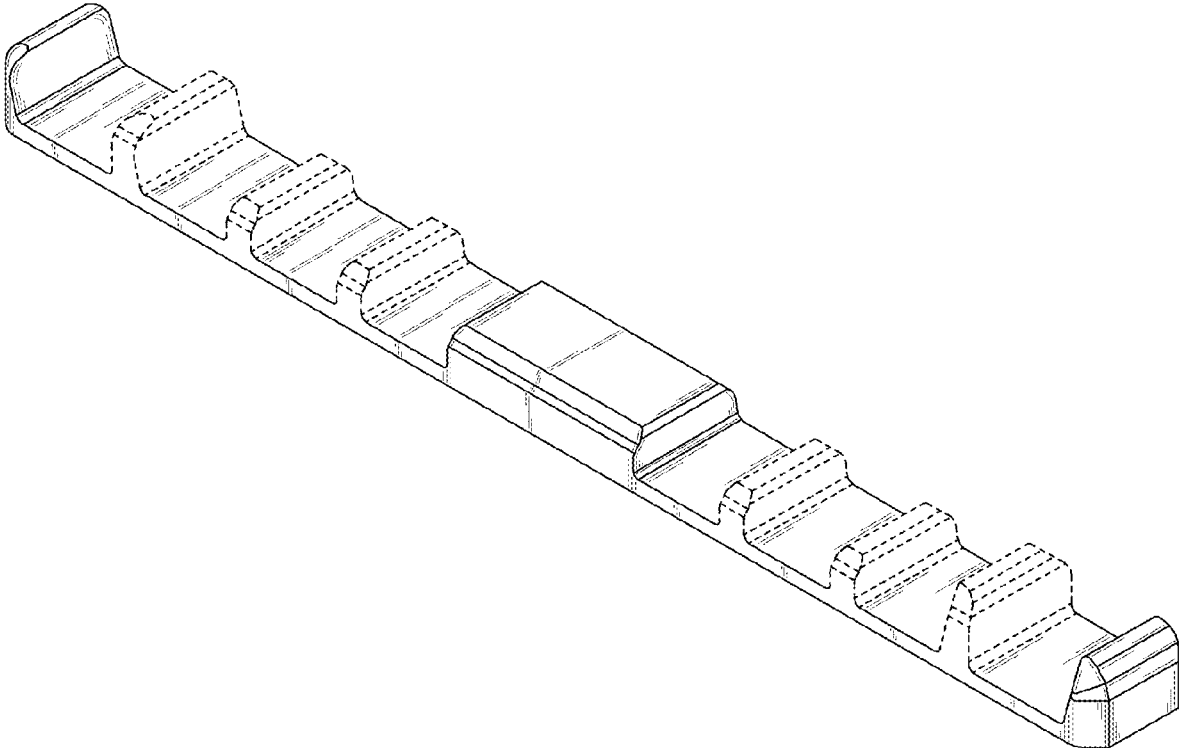


FIG. 1

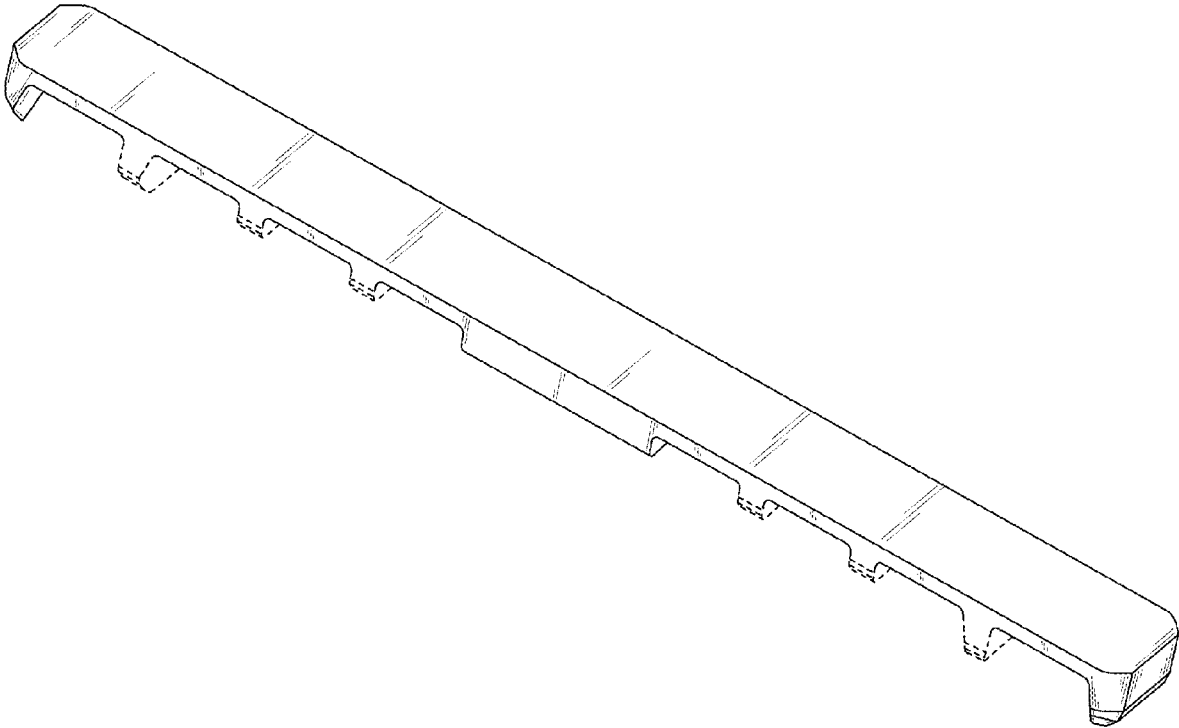


FIG. 2

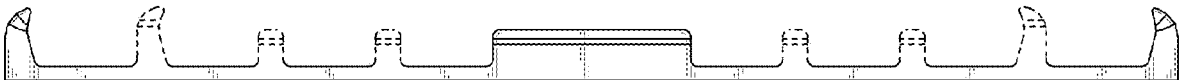


FIG. 3

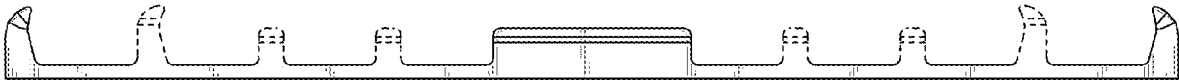


FIG. 4

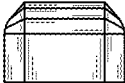


FIG. 5



FIG. 6

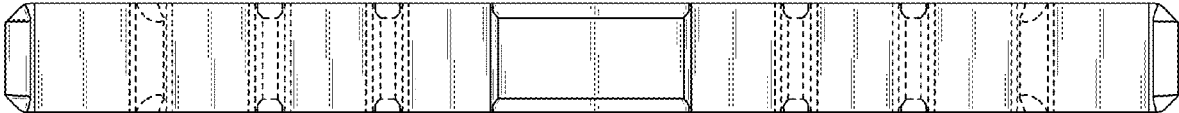


FIG. 7



FIG. 8