



- (51) International Patent Classification:  
*B21K 3/04* (2006.01)
- (21) International Application Number:  
PCT/US2013/023840
- (22) International Filing Date:  
30 January 2013 (30.01.2013)
- (25) Filing Language: English
- (26) Publication Language: English
- (71) Applicant: **UNITED TECHNOLOGIES CORPORATION** [US/US]; 1 Financial Plaza, Hartford, Connecticut 06101 (US).
- (72) Inventors: **BURD, Steven W.**; 36 Renee Court, Cheshire, Connecticut 06410 (US). **MERCER, Rickey P.**; 114 Harvest Lane, East Hartford, Connecticut 06118 (US).
- (74) Agent: **WISZ, David**; O'Shea Getz P.C., c/o CPA Global, P.O. Box 52050, Minneapolis, Minnesota 55402 (US).
- (81) Designated States (*unless otherwise indicated, for every kind of national protection available*): AE, AG, AL, AM, AO, AT, AU, AZ, BA, BB, BG, BH, BN, BR, BW, BY,

BZ, CA, CH, CL, CN, CO, CR, CU, CZ, DE, DK, DM, DO, DZ, EC, EE, EG, ES, FI, GB, GD, GE, GH, GM, GT, HN, HR, HU, ID, IL, IN, IS, JP, KE, KG, KM, KN, KP, KR, KZ, LA, LC, LK, LR, LS, LT, LU, LY, MA, MD, ME, MG, MK, MN, MW, MX, MY, MZ, NA, NG, NI, NO, NZ, OM, PA, PE, PG, PH, PL, PT, QA, RO, RS, RU, RW, SC, SD, SE, SG, SK, SL, SM, ST, SV, SY, TH, TJ, TM, TN, TR, TT, TZ, UA, UG, US, UZ, VC, VN, ZA, ZM, ZW.

- (84) Designated States (*unless otherwise indicated, for every kind of regional protection available*): ARIPO (BW, GH, GM, KE, LR, LS, MW, MZ, NA, RW, SD, SL, SZ, TZ, UG, ZM, ZW), Eurasian (AM, AZ, BY, KG, KZ, RU, TJ, TM), European (AL, AT, BE, BG, CH, CY, CZ, DE, DK, EE, ES, FI, FR, GB, GR, HR, HU, IE, IS, IT, LT, LU, LV, MC, MK, MT, NL, NO, PL, PT, RO, RS, SE, SI, SK, SM, TR), OAPI (BF, BJ, CF, CG, CI, CM, GA, GN, GQ, GW, ML, MR, NE, SN, TD, TG).

Published:  
— with international search report (Art. 21(3))

(54) Title: COATING PROCESS FOR GAS TURBINE ENGINE COMPONENT WITH COOLING HOLES

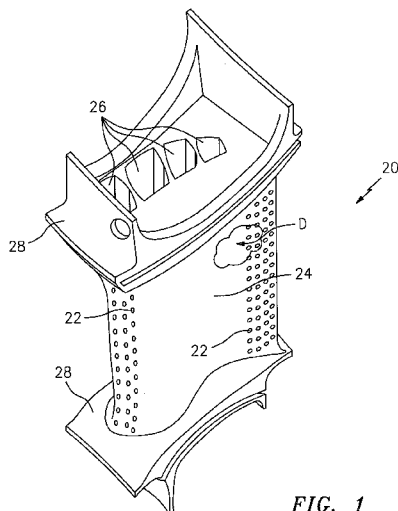


FIG. 1

(57) Abstract: A method of coating a component having a multiple of cooling holes including removing at least a portion of a prior coating from a component; mapping a location of each of the multiple of cooling holes to generate a map of cooling holes; applying a coat to the component; adjusting the map of cooling holes to account for said coat to generate an adjusted map of cooling holes; and re-drilling the multiple of cooling holes in response to the adjusted map of cooling holes.



## COATING PROCESS FOR GAS TURBINE ENGINE COMPONENT WITH COOLING HOLES

### BACKGROUND

[0001] The present disclosure relates generally to a coating process for air-cooled components.

[0002] Gas turbine engines, such as those that power modern commercial and military aircraft, generally include a compressor section to pressurize an airflow, a combustor section to burn a hydrocarbon fuel in the presence of the pressurized air, and a turbine section to extract energy from the resultant combustion gases.

[0003] Gas turbine engine hot section components such as blades and vanes are subject to high thermal loads for prolonged time periods. Other components also experience high thermal loads such as combustor, exhaust liner and nozzle components. Historically, such components have implemented various air-cooling arrangements within numerous cooling holes that permit the passage of air sourced from the compressor or fan section. In addition, the components are typically provided with various coatings such as a thermal barrier coating to further resist the thermal loads.

[0004] Over time, the coatings may wear. To restore these components to near-original capability, common repair practices involve stripping the coating with a water jet and re-performing the coating operation. These repairs are typically neither cost-effective nor operationally effective as the original cooling holes cannot be properly located due to recoat coverage within and over the cooling holes. This recoat coverage may result in a secondary

complication in that the cooling holes cannot be readily located for restoration as re-drill operations may often result in misaligned or duplicate cooling holes.

### SUMMARY

**[0005]** A method of coating a component according to one disclosed non-limiting embodiment of the present disclosure includes removing at least a portion of a prior coating from a component mapping a location of each of the multiple of cooling holes to generate a map of cooling holes; applying a coat to the component; adjusting the map of cooling holes to account for said coat to generate an adjusted map of cooling holes; and re-drilling the multiple of cooling holes in response to the adjusted map of cooling holes.

**[0006]** A further embodiment of the foregoing embodiment of the present disclosure includes generating the map of cooling holes from a backside of the component.

**[0007]** A further embodiment of any of the foregoing embodiments, of the present disclosure includes generating the map of cooling holes from a cold side of the component.

**[0008]** A further embodiment of any of the foregoing embodiments, of the present disclosure includes generating the map of cooling holes from a front side of the component.

**[0009]** A further embodiment of any of the foregoing embodiments, of the present disclosure includes generating the map of cooling holes from a hot side of the component.

**[0010]** A further embodiment of any of the foregoing embodiments, of the present disclosure includes removing all layers of a top coat of the prior coating.

**[0011]** A further embodiment of any of the foregoing embodiments, of the present disclosure includes removing all layers of a ceramic top coat of the prior coating.

**[0012]** A further embodiment of any of the foregoing embodiments, of the present disclosure includes removing at least one layer of a nickel alloy bond coat of the prior coating.

**[0013]** A further embodiment of any of the foregoing embodiments, of the present disclosure includes removing all layers of a ceramic top coat of the prior coating and at least one layer of the prior coating.

**[0014]** A further embodiment of any of the foregoing embodiments, of the present disclosure includes directing a gas through at least one of the multiple of cooling holes; and applying a coat while directing the gas through at least one of the multiple of cooling holes.

**[0015]** A further embodiment of any of the foregoing embodiments, of the present disclosure includes finish drilling the multiple of cooling holes.

**[0016]** A further embodiment of any of the foregoing embodiments, of the present disclosure includes cleaning the multiple of cooling holes.

**[0017]** A further embodiment of any of the foregoing embodiments, of the present disclosure includes dressing the multiple of cooling holes to obtain a desired flow quality.

**[0018]** A computer readable storage medium according to one disclosed non-limiting embodiment of the present disclosure includes an algorithm operable to adjust a map of cooling holes on a component to account for a coat and generate an adjusted map of cooling holes.

[0019] A further embodiment of the foregoing embodiment of the present disclosure includes wherein the map of cooling holes is from a hot side of the component of a gas turbine engine.

[0020] A further embodiment of the foregoing embodiment of the present disclosure includes wherein the map of cooling holes is from a cold side of the component of a gas turbine engine.

### **BRIEF DESCRIPTION OF THE DRAWINGS**

[0021] Various features will become apparent to those skilled in the art from the following detailed description of the disclosed non-limiting embodiment. The drawings that accompany the detailed description can be briefly described as follows:

[0022] Figure 1 is a general schematic view of an exemplary actively cooled component as a representative workpiece;

[0023] Figure 2 is an expanded cross section of the actively cooled component;

[0024] Figure 3 is a flow diagram of a method of repairing an actively cooled component according to one disclosed non-limiting embodiment;

[0025] Figure 4 is an expanded cross section of the actively cooled component representative of one step of the method of repairing an actively cooled component;

[0026] Figure 5 is a schematic representation of one step of the method in which the component is positioned to receive a gas through at least one of the multiple of cooling holes during coating according to another disclosed non-limiting embodiment;

[0027] Figure 6 is a schematic representation of one step of the method in which the component is positioned to receive a gas through at least one of the multiple of cooling holes during coating according to another disclosed non-liming embodiment;

[0028] Figure 7 is an expanded cross section of the actively cooled component representative of one step of the method of repairing an actively cooled component;

[0029] Figure 8 is an expanded cross section of the actively cooled component representative of one step of the method of repairing an actively cooled component;

[0030] Figure 9 is a flow diagram of a method of repairing an actively cooled component according to another disclosed non-liming embodiment;

[0031] Figure 10 is an expanded cross section of the actively cooled component representative of one step of the method of repairing an actively cooled component; and

[0032] Figure 11 is a flow diagram of a method of repairing an actively cooled component according to another disclosed non-liming embodiment.

### **DETAILED DESCRIPTION**

[0033] Figure 1 schematically illustrates a general perspective view of an exemplary component 20, e.g., an actively cooled turbine stator segment of a gas turbine engine. It should be appreciated that although a particular component type is illustrated in the disclosed non-limiting embodiment, other components, such as blades, vanes, exhaust duct liners, nozzle flaps nozzle seals as well as other actively cooled components will also benefit herefrom. These components operate in challenging high-temperature environments such as a hot section of a gas

turbine engine and have aggressive requirements in terms of durability and temperature allowances.

**[0034]** The stator 20 includes a multiple of cooling holes 22 in an airfoil section 24 that communicate with internal passageways 26 (shown schematically in phantom) that extend through the stator platforms 28. The cooling holes 22, film or effusion, may be formed with lasers, Electron Discharge Machining (EDM), water jet or other techniques and are typically approximately 0.020-0.125 inches (0.5-3.2 mm) in diameter and may be drilled normal or angled to the surface. Cooling air enters the internal passageways 26 of the component 20 through the internal passageways 26. The cooling holes 22, provide cooling to the exposed surface of the components to reduce temperatures and heat transfer. For example, the internal passageways 26 of the component 20 are cooled by convection while the outer surface is cooled through film cooling from air that exits the cooling holes 22.

**[0035]** Flow path surfaces such as the airfoil section 24 and the associated surfaces of the stator platforms 28 are coated to provide thermal barrier, environmental barriers and/or other capabilities required to survive in the high-temperature environment or to meet requirements. The coating may be a thermal barrier coating that includes a bond coat 30 and a top coat 32 (Figure 2). The bond coat 30 in one disclosed non-limiting embodiment may be a nickel-based alloy material and the top coat 32 may be a ceramic material, each typically applied in layers via plasma spray coating system. The top coat 32 is typically thicker than the bond coat 30.

**[0036]** With reference to Figure 2, the coating, over time, may become distressed in particular areas (illustrated schematically at D). The distressed areas D may include spallation or liberation of the coating – typically the top coat 32 flakes away from the bond coat 30.

[0037] With reference to Figure 3, to restore the component 20 to near-original capability, an aftermarket repair method for the coating involves stripping the top coat 32 in the distressed areas D with a water jet, grit blast or other system (Figure 4; Step 100). The top coat 32 and a portion of the bond coat 30 may be removed. That is, the top coat 32 and the bond coat 30 are typically applied in sprayed layers such that all layers of the top coat 32 are removed and one or more of the layers of bond coat 30 are removed in a repaired area. Alternatively, the entire top coat 32 is removed from the bond coat 30. Alternatively still, the top coat 32 and the bond coat 30 may be removed.

[0038] The removed layer(s) of bond coat 30 may then be reapplied if necessary to bring the thickness of the bond coat 30 to specification (Step 102). The bond coat 30 is relatively thin and reapplication thereof minimally effects, if at all, the multiple of cooling holes 22. The component 20 may then be cleaned and prepped if required to receive the top coat (Step 104).

[0039] The component 20 is then positioned to receive a gas such as air, nitrogen or other inert gas through at least one of the multiple of cooling holes 22 (Step 106). In one disclosed non-limiting embodiment, the gas is “shop air” at a pressure between 10-200 psi and more specifically at approximately 100psi. “Shop air” as defined herein is air typically available in a manufacturing and repair environment. Other pressures, gases and fluids may alternatively be provided dependent on, for example, the coating and application system.

[0040] In one disclosed non-limiting embodiment, the component 20 is affixed to a pressurized, sealed plenum 40 that mounted to a coating fixture 42 to permit flow from the uncoated surface of the component 20 and out through the cooling holes 22 (Figure 5). In

another disclosed non-limiting embodiment, the component 20 is connected to a bladder 50 in communication with the internal passageways 26 in the component 20 (Figure 6). The bladder 50 is then pressurized to force gas flow through the cooling holes 22. It should be appreciated that other systems to force the gas through the cooling holes 22 may alternatively or additionally be provided.

**[0041]** While the gas is directed through at least one of the multiple of cooling holes 22, the top coat 32 is reapplied with a spray system 60 (illustrated schematically; Figure 7) such as, for example, a plasma spray system (step 108). The gas flow through the cooling holes 22 during coating application prevents or minimizes the adhesion of the coating in the air path from the cooling holes 22 due to the momentum of the gas and the quenching nature of the gas interaction with the coating to form the cooling hole 22 in an ablative manner (Figure 8).

**[0042]** With reference to Figure 9, a method according to another disclosed non-limiting embodiment turns the gas flow through the cooling holes 22 during the coating step off, for example, during initial or final layers of top coat 32 application (step 110). That is, one or more top coat 32 layer applications may be relatively thin and reapplication thereof minimally effects, if at all, the multiple of cooling holes 22. In another disclosed non-limiting embodiment, the spray system 60 is within a vacuum environment 70 (illustrated schematically) which may ride along or is otherwise attached on the coated side of the component 20 and, thus, draws air through the component 20 (Figure 10).

**[0043]** The cooling holes 22 may then be cleaned and dressed post-coating (step 112) to achieve a desired flow quality, assure that the cooling holes 22 are not filled with extraneous coating matter or to accommodate the wake effect of the gas flow that may change the coating

characteristics on the acute angle side of the cooling holes 22. That is, the coating adjacent to the cooling holes 22 is ablated and may require finish drilling.

**[0044]** With reference to Figure 11, in another disclosed non-limiting embodiment, the above-described method may be coupled with mapping or scanning techniques to more precisely identify the cooling holes 22. The repair method for the coating involves stripping the top coat 32 either completely or in the distressed areas D with a water jet, grit blast or other system (Step 300).

**[0045]** The surface may then be cleaned and prepped for the mapping of the cooling holes 22 (Step 302). The prepping for mapping may include treatment of the part surface to facilitate the selected mapping technology (Step 304). For example, the surface to be mapped may be treated with a white coating to increase contrast with the cooling holes 22.

**[0046]** The cooling holes 22 are then mapped to locate the pre-existing cooling holes 22 on the uncoated component 20 (Step 304). The cooling holes 22 may be mapped, scanned or otherwise located with any or combinations of several technologies such as interferometry, optical, laser, digital vision, part probing and/or other methods to generate a map of the cooling holes 22.

**[0047]** The map of cooling holes 22 may then be stored on computer readable storage medium of a computing device. In terms of hardware architecture, such a computing device may include a processor, memory, and one or more input and/or output (I/O) device interface(s) that are communicatively coupled via a local interface. In one non-limiting embodiment, the processor may be any type of known microprocessor with desired performance characteristics, the memory may, for example only, includes UV PROM, EEPROM, FLASH, RAM, ROM,

DVD, CD, hard drive, or other computer readable storage medium which stores data as described herein. The interface facilitates communication and may, for example but not limited to, a keyboard, mouse, scanner, microphone, camera, proximity device, etc. Further, the I/O devices may also include output devices, for example but not limited to, a printer, display, etc., in either dedicated hardware circuitry or programmed software routines of computer readable medium capable of execution through a microprocessor based system.

**[0048]** When the computing device is in operation, the processor can be configured to execute software stored within the memory, to communicate data to and from the memory, and to generally control operations of the computing device pursuant to the software. Software in memory, in whole or in part, is read by the processor, perhaps buffered within the processor, and then executed.

**[0049]** In one disclosed non-limiting embodiment, the cooling holes 22 are mapped on the surface that was just stripped of coating (step 300). Such front side mapping may be particularly applicable to components such as turbine airfoils that provide ready access to a hot side. In another disclosed non-limiting embodiment, the cooling holes 22 are mapped on the surface opposite the surface that was stripped of coating (Step 300). Such backside mapping may be particularly applicable to components such as exhaust duct liner assemblies that provide ready access to a cold side. That is, either a cold side or a hot side of the component 22 may be mapped as the cooling holes 22 are through-holes. It should be appreciated that the “hot” side or “front side” is the portion of the component that is exposed to core combustion gases and is also typically the coated side, while the “cold” side is opposite the “hot” side and is typically uncoated and may also be referred to a the “back side”.

**[0050]** Next, location features such as predefined holes, etched or machined features that are readily identified post-coat may then be added (Step 308). The location features operate as a reference point to facilitate location of the cooling hole 22 in subsequent steps.

**[0051]** After mapping, additional preparation of the component 20 may be performed (Step 310). The preparation includes but is not limited to, cleaning masking or otherwise that which facilitates recoat of the - partial or full – bond coat 30 and the top coat 32.

**[0052]** Next, the component 20 is recoated with bond coat 30, if necessary, to bring the thickness of the bond coat 30 to original or near-original specification (Step 312). The top coat 32 is then reapplied to the original or near-original specifications (Step 314). The top coat 32 may be applied either with or without the gas being directed through at least one of the multiple of cooling holes 22 as discussed above.

**[0053]** The computing device includes an algorithm that utilizes the map of cooling holes from Step 300 and compensates for the thickness of the bond coat 30 and top coat 32, deformation from the coating process and/or other factors to generate an adjusted map of cooling holes. This algorithm may leverage the aforementioned locating feature (Step 308).

**[0054]** The cooling holes 22 are then restored via drilling or other procedure on the recoated component 20 in response to the adjusted map of cooling holes (Step 316). That is, the algorithm accounts for the thickness of the bond coat 30 and top coat 32, deformation from the coating process and/or other factors. The algorithm may thereby provide an offset between the map of cooling holes and the adjusted map of cooling holes. It should be appreciated by those skilled in the art with the benefit of this disclosure that these functions may be enacted in either

dedicated hardware circuitry or computer readable medium containing programming instructions capable of execution in a microprocessor based computing device.

**[0055]** The computing device thereby generates the updated cooling hole location coordinates which accommodates any shift caused by the coat thickness and thereby allows the cooling holes to be accurately re-drilled. That is, the holes are re-drilled approximately at every pre-existing cooling hole location such that at least some of the re-drilled cooling hole is coincident with the pre-existing cooling hole.

**[0056]** Furthermore, the above-described method may be utilized in the original equipment process as well where the disclosed process forms the hole geometry through a newly applied coating in place of laser, Electron Discharge Machining (EDM), waterjet or other drilling processes. In this non-limiting embodiment, the substrate requires pre-drilled holes that are continued through the coating or from the backside thereof during operation of the above-described methodology.

**[0057]** It should be appreciated that relative positional terms such as "forward," "aft," "upper," "lower," "above," "below," and the like are with reference to the engine but should not be considered otherwise limiting.

**[0058]** Although the different non-limiting embodiments have specific illustrated components, the embodiments of this invention are not limited to those particular combinations. It is possible to use some of the components or features from any of the non-limiting embodiments in combination with features or components from any of the other non-limiting embodiments.

**[0059]** It should be appreciated that like reference numerals identify corresponding or similar elements throughout the several drawings. It should also be appreciated that although a particular component arrangement is disclosed in the illustrated embodiment, other arrangements will benefit herefrom.

**[0060]** Although the different non-limiting embodiments have specific illustrated components, the embodiments of this invention are not limited to those particular combinations. It is possible to use some of the components or features from any of the non-limiting embodiments in combination with features or components from any of the other non-limiting embodiments.

**[0061]** Although particular step sequences are shown, described, and claimed, it should be appreciated that steps may be performed in any order, separated or combined unless otherwise indicated and will still benefit from the present disclosure.

**[0062]** The foregoing description is exemplary rather than defined by the limitations within. Various non-limiting embodiments are disclosed herein, however, one of ordinary skill in the art would recognize that various modifications and variations in light of the above teachings will fall within the scope of the appended claims. It is therefore to be appreciated that within the scope of the appended claims, the disclosure may be practiced other than as specifically described. For that reason the appended claims should be studied to determine true scope and content.

**CLAIMS**

What is claimed is:

1. A method of coating a component having a multiple of cooling holes comprising:  
removing at least a portion of a prior coating from a component;  
mapping a location of each of the multiple of cooling holes to generate a map of cooling holes;  
applying a coat to the component;  
adjusting the map of cooling holes to account for said coat to generate an adjusted map of cooling holes; and  
re-drilling the multiple of cooling holes in response to the adjusted map of cooling holes.
2. The method as recited in claim 1, further comprising generating the map of cooling holes from a backside of the component.
3. The method as recited in claim 1, further comprising generating the map of cooling holes from a cold side of the component.
4. The method as recited in claim 1, further comprising generating the map of cooling holes from a front side of the component.

5. The method as recited in claim 1, further comprising generating the map of cooling holes from a hot side of the component.

6. The method as recited in claim 1, further comprising removing all layers of a top coat of the prior coating.

7. The method as recited in claim 1, further comprising removing all layers of a ceramic top coat of the prior coating.

8. The method as recited in claim 1, further comprising removing at least one layer of a nickel alloy bond coat of the prior coating.

9. The method as recited in claim 1, further comprising removing all layers of a ceramic top coat of the prior coating and at least one layer of the prior coating.

10. The method as recited in claim 1, further comprising:

directing a gas through at least one of the multiple of cooling holes; and

applying a coat while directing the gas through at least one of the multiple of cooling holes.

11. The method as recited in claim 1, further comprising finish drilling the multiple of cooling holes.

12. The method as recited in claim 1, further comprising cleaning the multiple of cooling holes.

13. The method as recited in claim 1, further comprising dressing the multiple of cooling holes to obtain a desired flow quality.

14. A computer readable storage medium comprising:  
an algorithm operable to adjust a map of cooling holes on a component to account for a coat and generate an adjusted map of cooling holes.

15. The computer readable storage medium as recited in claim 14, wherein the map of cooling holes is from a hot side of the component of a gas turbine engine.

16. The computer readable storage medium as recited in claim 14, wherein the map of cooling holes is from a cold side of the component of a gas turbine engine.

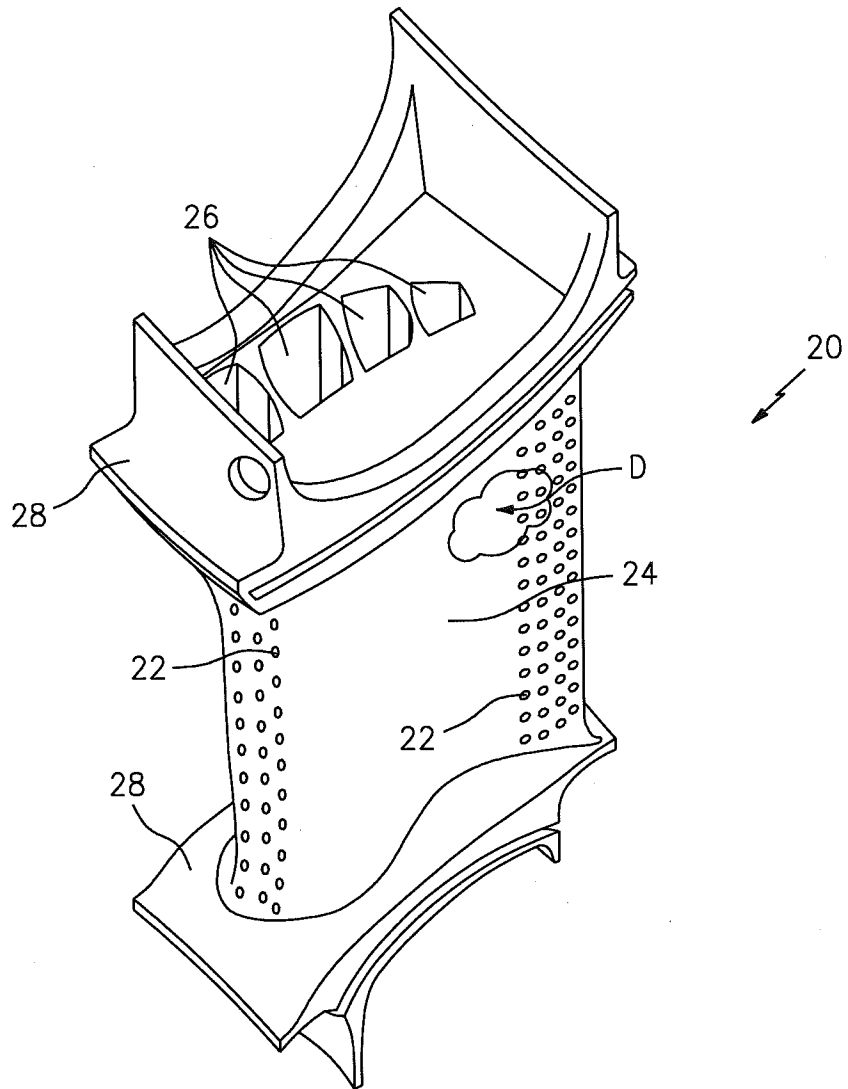


FIG. 1

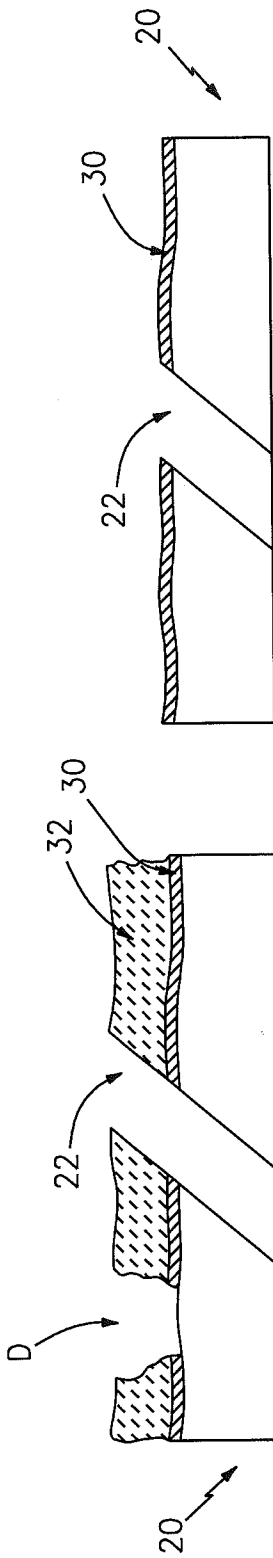


FIG. 4

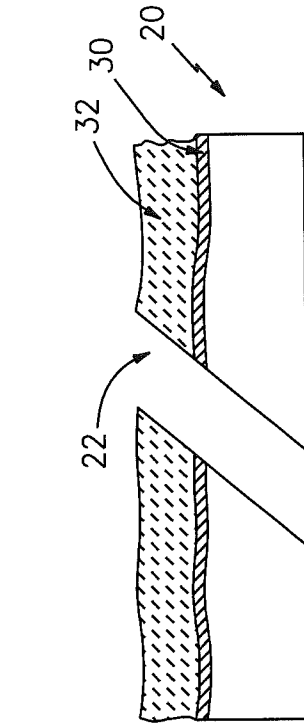


FIG. 8

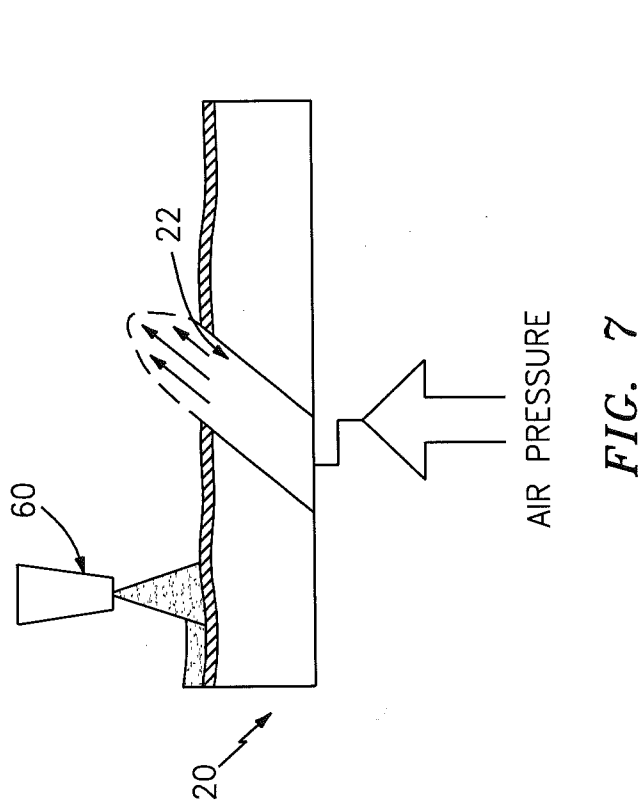
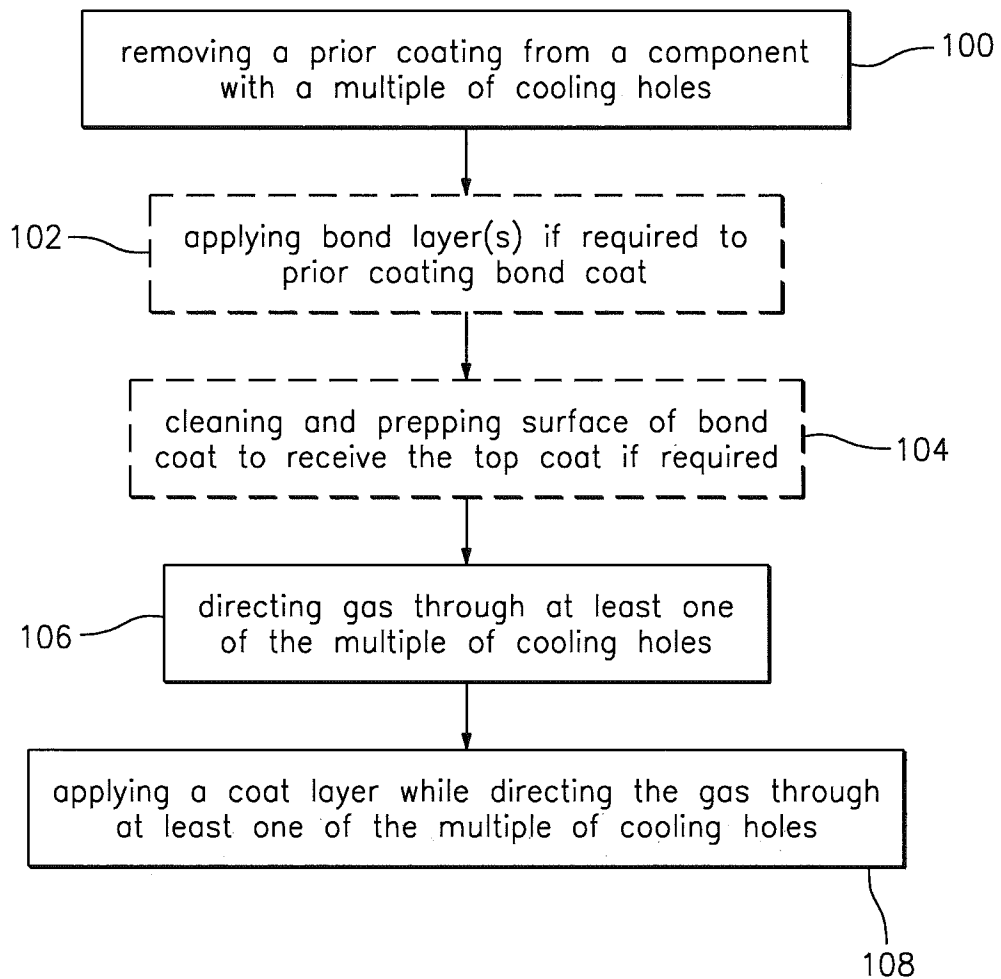
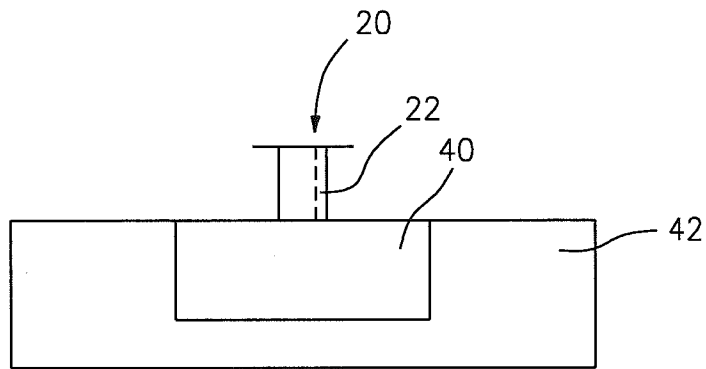


FIG. 7

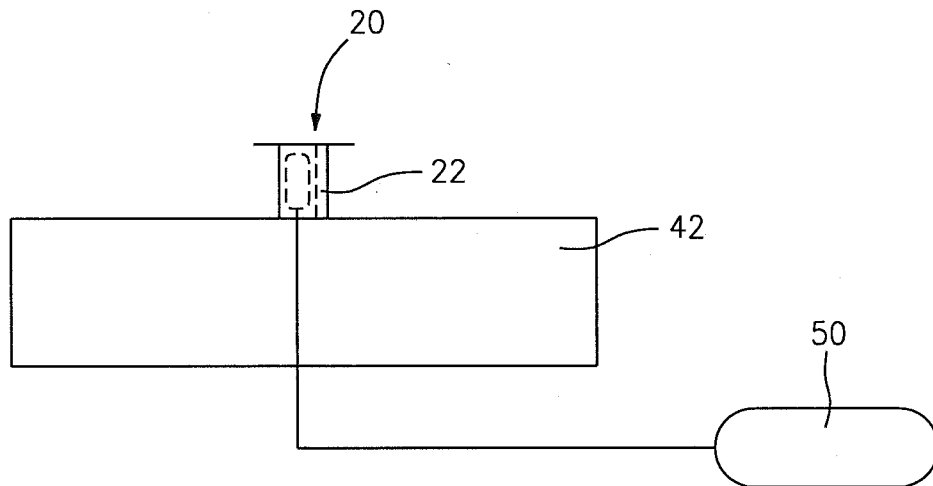
3/7

**FIG. 3**

4/7



**FIG. 5**



**FIG. 6**

5/7

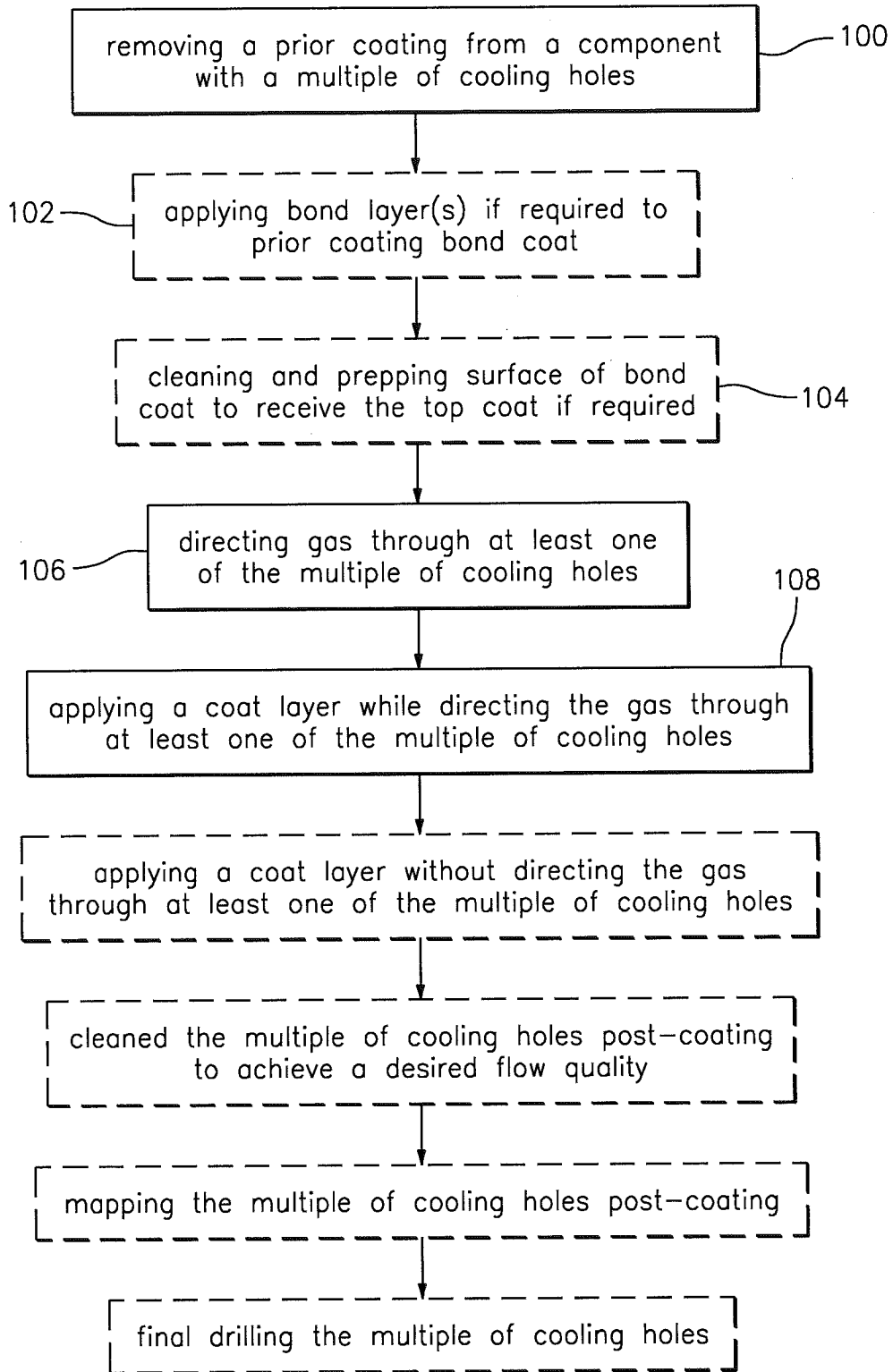


FIG. 9

6/7

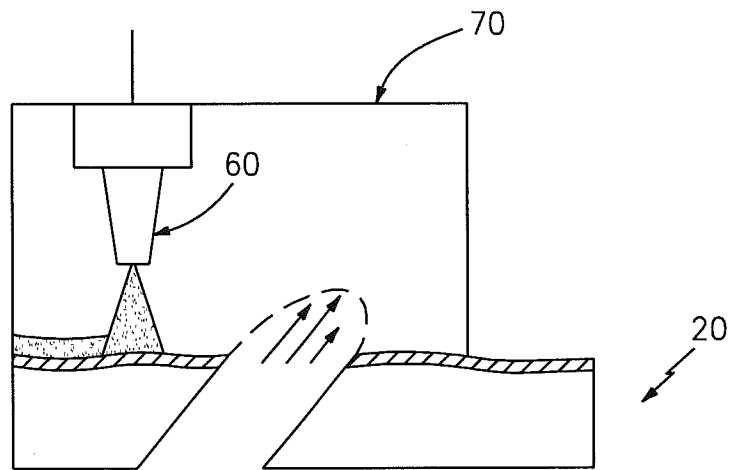


FIG. 10

7/7

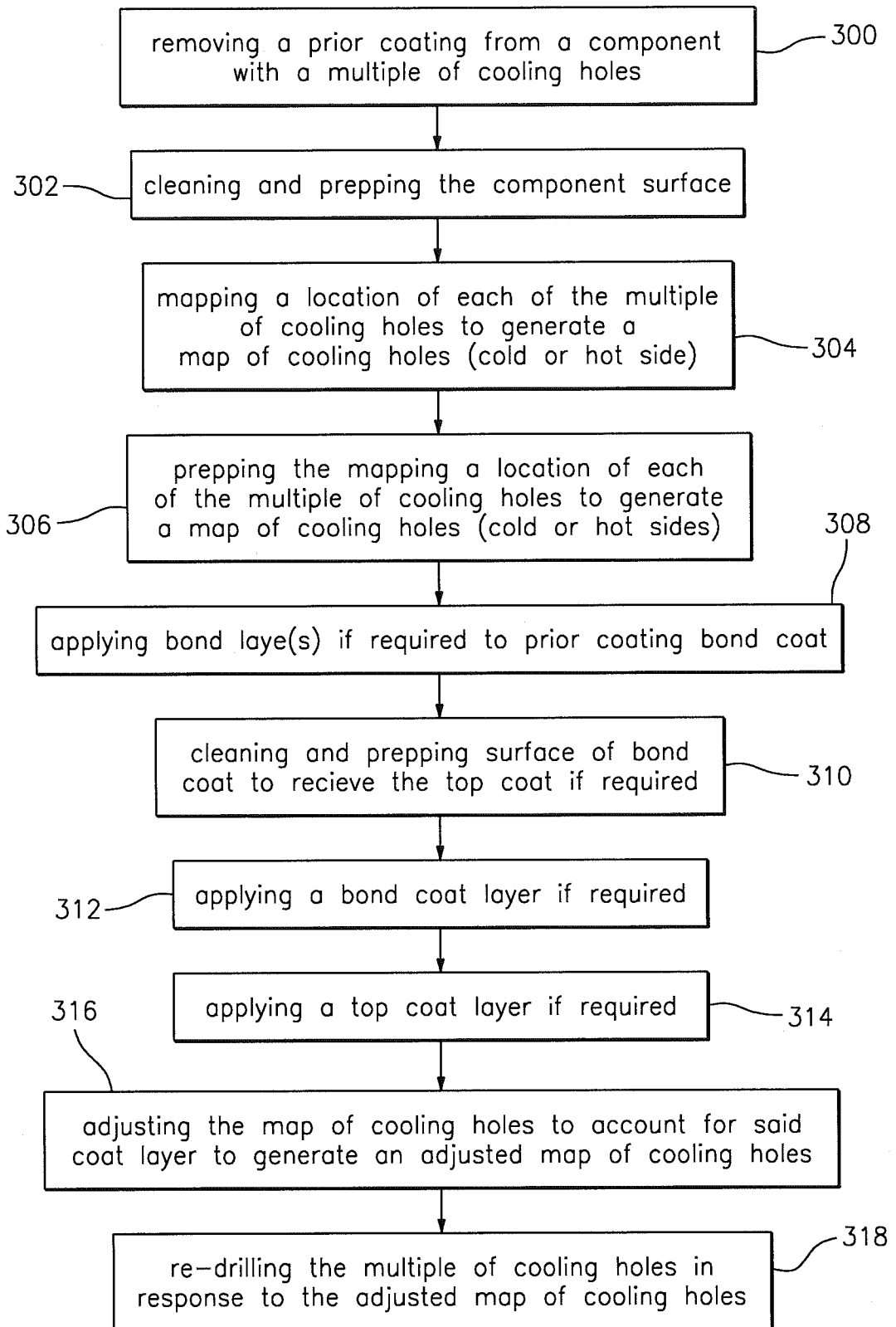


FIG. 11

## INTERNATIONAL SEARCH REPORT

International application No.

PCT/US2013/023840

## A. CLASSIFICATION OF SUBJECT MATTER

IPC(8) - B21K 3/04 (2013.01)

USPC - 29/889.721

According to International Patent Classification (IPC) or to both national classification and IPC

## B. FIELDS SEARCHED

Minimum documentation searched (classification system followed by classification symbols)

IPC(8) - B21D 53/78; B21K 3/00, 3/04; F01D 5/00, 5/12, 5/14, 5/18 (2013.01)

USPC - 29/889, 889.1, 889.7, 889.72, 889.721; 416/90R, 92, 223A, 223R, 231R, 232

Documentation searched other than minimum documentation to the extent that such documents are included in the fields searched

CPC - B21D 53/78; B21K 3/00, 3/04; F01D 5/00, 5/12, 5/14, 5/18 (2013.01)

Electronic data base consulted during the international search (name of data base and, where practicable, search terms used)

PatBase, ProQuest, Google

## C. DOCUMENTS CONSIDERED TO BE RELEVANT

Category*	Citation of document, with indication, where appropriate, of the relevant passages	Relevant to claim No.
X	US 2012/0179285 A1 (MELZER-JOKISCH et al) 12 July 2012 (12.07.2012) entire document	1, 6-9, 11, 14
--		
Y		2-5, 10, 12, 13, 15, 16
Y	US 2009/0220349 A1 (BOLMS et al) 03 September 2009 (03.09.2009) entire document	2-5, 15, 16
Y	US 4,402,992 A (LIEBERT) 06 September 1983 (06.09.1983) entire document	10, 12, 13

 Further documents are listed in the continuation of Box C.

\* Special categories of cited documents:

"A" document defining the general state of the art which is not considered to be of particular relevance

"E" earlier application or patent but published on or after the international filing date

"L" document which may throw doubts on priority claim(s) or which is cited to establish the publication date of another citation or other special reason (as specified)

"O" document referring to an oral disclosure, use, exhibition or other means

"P" document published prior to the international filing date but later than the priority date claimed

"T" later document published after the international filing date or priority date and not in conflict with the application but cited to understand the principle or theory underlying the invention

"X" document of particular relevance; the claimed invention cannot be considered novel or cannot be considered to involve an inventive step when the document is taken alone

"Y" document of particular relevance; the claimed invention cannot be considered to involve an inventive step when the document is combined with one or more other such documents, such combination being obvious to a person skilled in the art

"&amp;" document member of the same patent family

Date of the actual completion of the international search

18 March 2013

Date of mailing of the international search report

28 MAR 2013

Name and mailing address of the ISA/US

Mail Stop PCT, Attn: ISA/US, Commissioner for Patents  
P.O. Box 1450, Alexandria, Virginia 22313-1450

Facsimile No. 571-273-3201

Authorized officer:

Blaine R. Copenheaver

PCT Helpdesk: 571-272-4300  
PCT OSP: 571-272-7774