



(43) International Publication Date  
19 September 2013 (19.09.2013)

- (51) **International Patent Classification:**  
*F41A 5/20* (2006.01)      *F41A 13/12* (2006.01)  
*F41A 5/28* (2006.01)
- (21) **International Application Number:**  
PCT/IB2012/003126
- (22) **International Filing Date:**  
23 November 2012 (23.11.2012)
- (25) **Filing Language:** English
- (26) **Publication Language:** English
- (30) **Priority Data:**  
61/563,278 23 November 2011 (23.11.2011) US
- (72) **Inventor; and**  
(71) **Applicant :** ZHENG, Jing [CN/DE]; Von- Moltke-bogen  
2, 21035 Hamburg (DE).
- (81) **Designated States** (*unless otherwise indicated, for every kind of national protection available*): AE, AG, AL, AM, AO, AT, AU, AZ, BA, BB, BG, BH, BN, BR, BW, BY, BZ, CA, CH, CL, CN, CO, CR, CU, CZ, DE, DK, DM, DO, DZ, EC, EE, EG, ES, FI, GB, GD, GE, GH, GM, GT, HN, HR, HU, ID, IL, IN, IS, JP, KE, KG, KM, KN, KP, KR, KZ, LA, LC, LK, LR, LS, LT, LU, LY, MA, MD,

ME, MG, MK, MN, MW, MX, MY, MZ, NA, NG, NI, NO, NZ, OM, PA, PE, PG, PH, PL, PT, QA, RO, RS, RU, RW, SC, SD, SE, SG, SK, SL, SM, ST, SV, SY, TH, TJ, TM, TN, TR, TT, TZ, UA, UG, US, UZ, VC, VN, ZA, ZM, ZW.

- (84) **Designated States** (*unless otherwise indicated, for every kind of regional protection available*): ARIPO (BW, GH, GM, KE, LR, LS, MW, MZ, NA, RW, SD, SL, SZ, TZ, UG, ZM, ZW), Eurasian (AM, AZ, BY, KG, KZ, RU, TJ, TM), European (AL, AT, BE, BG, CH, CY, CZ, DE, DK, EE, ES, FI, FR, GB, GR, HR, HU, IE, IS, IT, LT, LU, LV, MC, MK, MT, NL, NO, PL, PT, RO, RS, SE, SI, SK, SM, TR), OAPI (BF, BJ, CF, CG, CI, CM, GA, GN, GQ, GW, ML, MR, NE, SN, TD, TG).

**Declarations under Rule 4.17:**

— of inventorship (*Rule 4.17(iv)*)

**Published:**

— with international search report (*Art. 21(3)*)

(88) **Date of publication of the international search report:**

23 January 2014

(54) **Title:** AN ANNULAR PISTON SYSTEM FOR RIFLES

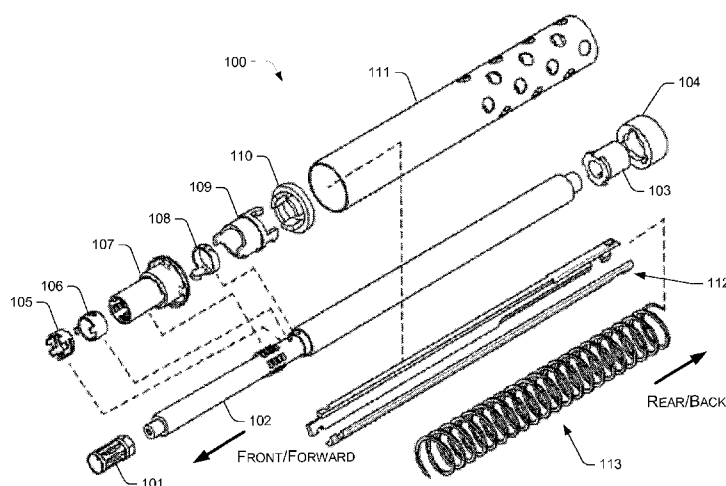


FIG. 2

(57) **Abstract:** An annular piston system for a firearm comprises a barrel, a gas block assembly, a piston, and a spring. The barrel has multiple sections lengthwise, one of the sections having at least one gas port hole to vent gas from the barrel. The gas block assembly is disposed annularly around the barrel and is adjustable to control an amount of gas flowing out of the barrel through the at least one gas port hole. The piston is disposed annularly around the barrel and can move longitudinally along the barrel in response to being pushed by the gas flowing out of the barrel. The spring is disposed annularly around the third section of the barrel and coupled to the piston. The spring limits a distance that the piston can move longitudinally along the barrel when the piston is pushed to move by the gas flowing out of the barrel.



# INTERNATIONAL SEARCH REPORT

International application No PCT/IB2012/003126
---

<b>A. CLASSIFICATION OF SUBJECT MATTER</b> INV. F41A5/20      F41A5/28      F41A13/12 ADD.		
According to International Patent Classification (IPC) or to both national classification and IPC		
<b>B. FIELDS SEARCHED</b>		
Minimum documentation searched (classification system followed by classification symbols) F41A		
Documentation searched other than minimum documentation to the extent that such documents are included in the fields searched		
Electronic data base consulted during the international search (name of data base and, where practicable, search terms used) EPO-Internal, WPI Data		
<b>C. DOCUMENTS CONSIDERED TO BE RELEVANT</b>		
Category*	Citation of document, with indication, where appropriate, of the relevant passages	Relevant to claim No.
X	US 2011/209607 A1 (ST GEORGE CHARLES [US]) 1 September 2011 (2011-09-01)	1, 13, 14
Y	abstract paragraph [0043] paragraph [0051] figure 1 figure 2 figure 3 figure 7 figures 8-9 figures 9a-9b	2, 5, 6, 15
Y	----- WO 2008/118504 A2 (MICROTECH SMALL ARMS RES INC [US]; MARFIONE ANTHONY L [US]) 2 October 2008 (2008-10-02) abstract paragraph [0095] figures 2,6 -----	2, 15
----- -/--		
<input checked="" type="checkbox"/> Further documents are listed in the continuation of Box C. <input checked="" type="checkbox"/> See patent family annex.		
* Special categories of cited documents :		
"A" document defining the general state of the art which is not considered to be of particular relevance	"T" later document published after the international filing date or priority date and not in conflict with the application but cited to understand the principle or theory underlying the invention	
"E" earlier application or patent but published on or after the international filing date	"X" document of particular relevance; the claimed invention cannot be considered novel or cannot be considered to involve an inventive step when the document is taken alone	
"L" document which may throw doubts on priority claim(s) or which is cited to establish the publication date of another citation or other special reason (as specified)	"Y" document of particular relevance; the claimed invention cannot be considered to involve an inventive step when the document is combined with one or more other such documents, such combination being obvious to a person skilled in the art	
"O" document referring to an oral disclosure, use, exhibition or other means	"&" document member of the same patent family	
"P" document published prior to the international filing date but later than the priority date claimed		
Date of the actual completion of the international search	Date of mailing of the international search report	
17 October 2013	25/10/2013	
Name and mailing address of the ISA/ European Patent Office, P.B. 5818 Patentlaan 2 NL - 2280 HV Rijswijk Tel. (+31-70) 340-2040, Fax: (+31-70) 340-3016	Authorized officer  Lahousse, Alexandre	

**INTERNATIONAL SEARCH REPORT**

International application No PCT/IB2012/003126
---

C(Continuation). DOCUMENTS CONSIDERED TO BE RELEVANT

Category*	Citation of document, with indication, where appropriate, of the relevant passages	Relevant to claim No.
Y	US 2005/262997 A1 (BRIXIUS JOHN [US]) 1 December 2005 (2005-12-01) abstract paragraph [0059] figure 12	5, 6
A	----- US 2 211 405 A (BROWNING JONATHAN E) 13 August 1940 (1940-08-13) the whole document	1, 13
A	----- US 834 753 A (REIFGRABER JOSEPH JOACHIM [US]) 30 October 1906 (1906-10-30) the whole document	1, 13
A	----- WO 2009/123775 A2 (OSPREY DEFENSE LLC [US]; GRIFFIN RITCHIE [US]) 8 October 2009 (2009-10-08) the whole document -----	1, 13

# INTERNATIONAL SEARCH REPORT

Information on patent family members

International application No PCT/IB2012/003126
---

Patent document cited in search report	Publication date	Patent family member(s)	Publication date
US 2011209607 A1	01-09-2011	US 2011209607 A1	01-09-2011
		WO 2011149568 A2	01-12-2011
-----			
WO 2008118504 A2	02-10-2008	NONE	
-----			
US 2005262997 A1	01-12-2005	US 2005262997 A1	01-12-2005
		US 2010058921 A1	11-03-2010
		US 2010224053 A1	09-09-2010
		US 2010326266 A1	30-12-2010
-----			
US 2211405 A	13-08-1940	NONE	
-----			
US 834753 A	30-10-1906	NONE	
-----			
WO 2009123775 A2	08-10-2009	US 2012180645 A1	19-07-2012
		WO 2009123775 A2	08-10-2009
-----			