



US00D775113S

(12) **United States Design Patent**
Lim et al.

(10) **Patent No.:** **US D775,113 S**
(45) **Date of Patent:** **** Dec. 27, 2016**

- (54) **MOBILE PHONE CASE**
- (71) Applicant: **LG ELECTRONICS INC.**, Seoul (KR)
- (72) Inventors: **Hwitae Lim**, Seoul (KR); **Hyejin Kim**, Seoul (KR); **Hyunwoo Kim**, Seoul (KR); **Youngho Kim**, Seoul (KR)
- (73) Assignee: **LG ELECTRONICS INC.**, Seoul (KR)
- (**) Term: **15 Years**
- (21) Appl. No.: **29/529,920**
- (22) Filed: **Jun. 11, 2015**
- (30) **Foreign Application Priority Data**
Dec. 12, 2014 (KR) 30-2014-0060839
- (51) **LOC (10) Cl.** **14-03**
- (52) **U.S. Cl.**
USPC **D14/250**
- (58) **Field of Classification Search**
USPC D14/238.1, 248, 250, 440, 203.3–203.7, D14/217, 240, 251–253, 447, 496; D3/201, 218, 247, 269, 273, 301, 303; D13/103, 107–108, 119
CPC A45C 1/06; A45C 11/00; A45C 13/02; A45C 2011/002; A45F 2005/026; A45F 2200/0525; A45F 2200/0516; H04B 1/3888; H04M 1/0283; H04M 1/0202
See application file for complete search history.

- (56) **References Cited**
U.S. PATENT DOCUMENTS
D540,539 S * 4/2007 Gutierrez D14/484.1
D547,057 S * 7/2007 Griffin D3/218
D551,856 S * 10/2007 Ko D3/201
D641,348 S * 7/2011 Kim D14/250
D668,458 S * 10/2012 Lee D3/303

D705,207 S *	5/2014	Kim	D14/250
D710,838 S *	8/2014	Song	D14/250
D721,693 S *	1/2015	Lee	D14/250
D721,694 S *	1/2015	Lee	D14/250
D725,643 S *	3/2015	Lee	D14/250
D730,342 S *	5/2015	Kim	D14/250
D747,305 S *	1/2016	Choe	D14/250
D748,086 S *	1/2016	Choe	D14/250
D749,067 S *	2/2016	Choe	D14/250
D750,608 S *	3/2016	Kim	D14/250
D751,539 S *	3/2016	Ahn	D14/250
2008/0053851 A1 *	3/2008	Ko	A45C 11/00 206/320
2008/0053852 A1 *	3/2008	Ko	A45C 11/00 206/320
2008/0251512 A1 *	10/2008	Griffin	A45C 11/00 220/4.02
2015/0155903 A1 *	6/2015	Jang	H04B 1/3888 455/575.8

* cited by examiner

Primary Examiner — Carla Jobe Wright
(74) *Attorney, Agent, or Firm* — Birch, Stewart, Kolasch & Birch, LLP

(57) **CLAIM**

The ornamental design for a mobile phone case, as shown and described.

DESCRIPTION

FIG. 1 is a perspective view of the interior of a mobile phone case in an open configuration showing our new design; FIG. 2 is an elevation view of the interior thereof; FIG. 3 is an elevation view of the exterior thereof; FIG. 4 is a left-side elevation view thereof; FIG. 5 is a right-side elevation view thereof; FIG. 6 is a top plan view thereof; FIG. 7 is a bottom plan view thereof; and, FIG. 8 is a front perspective view thereof in a closed configuration. The broken lines depict environmental subject matter that forms no part of the claimed design.

1 Claim, 7 Drawing Sheets

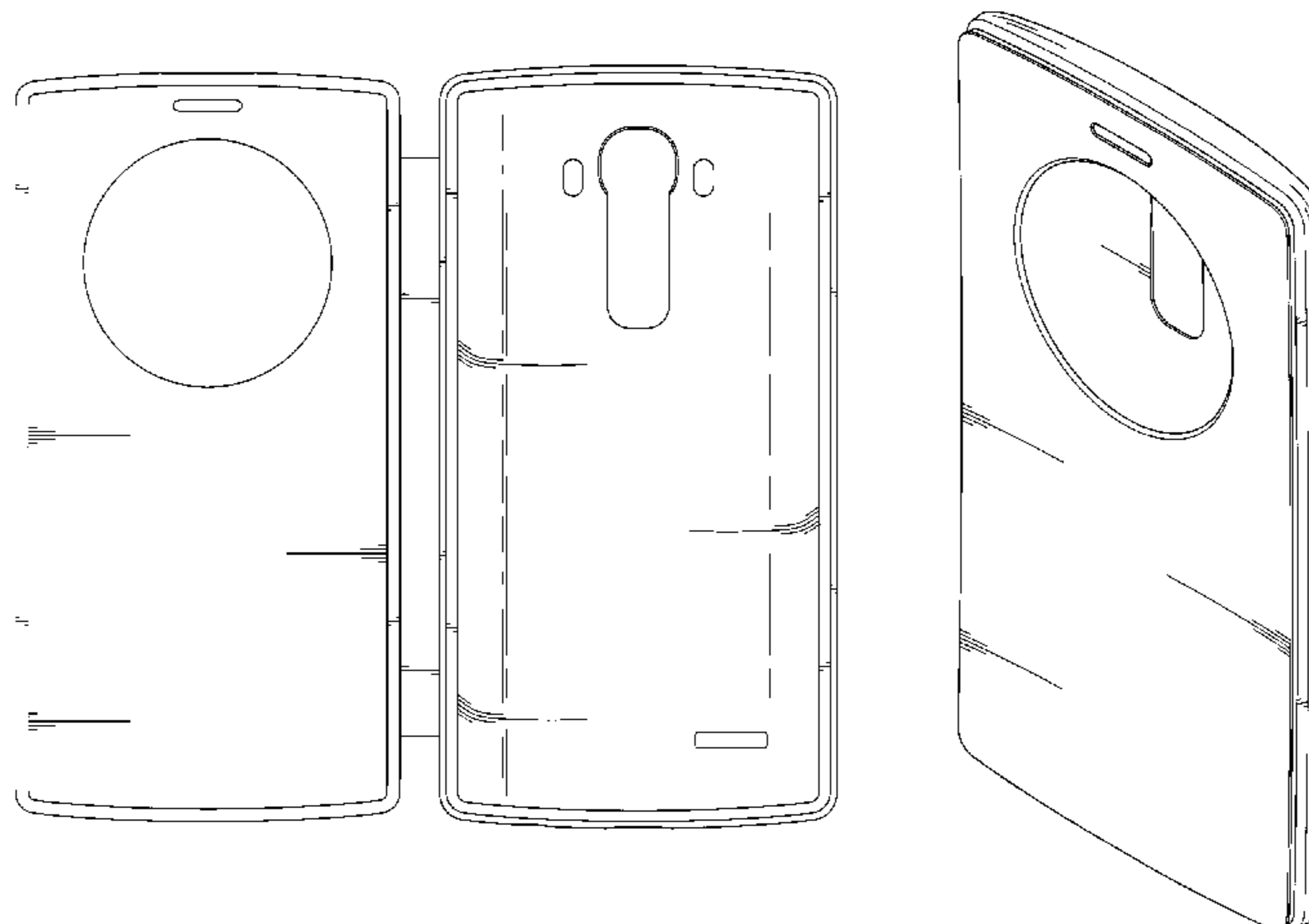


FIG. 1

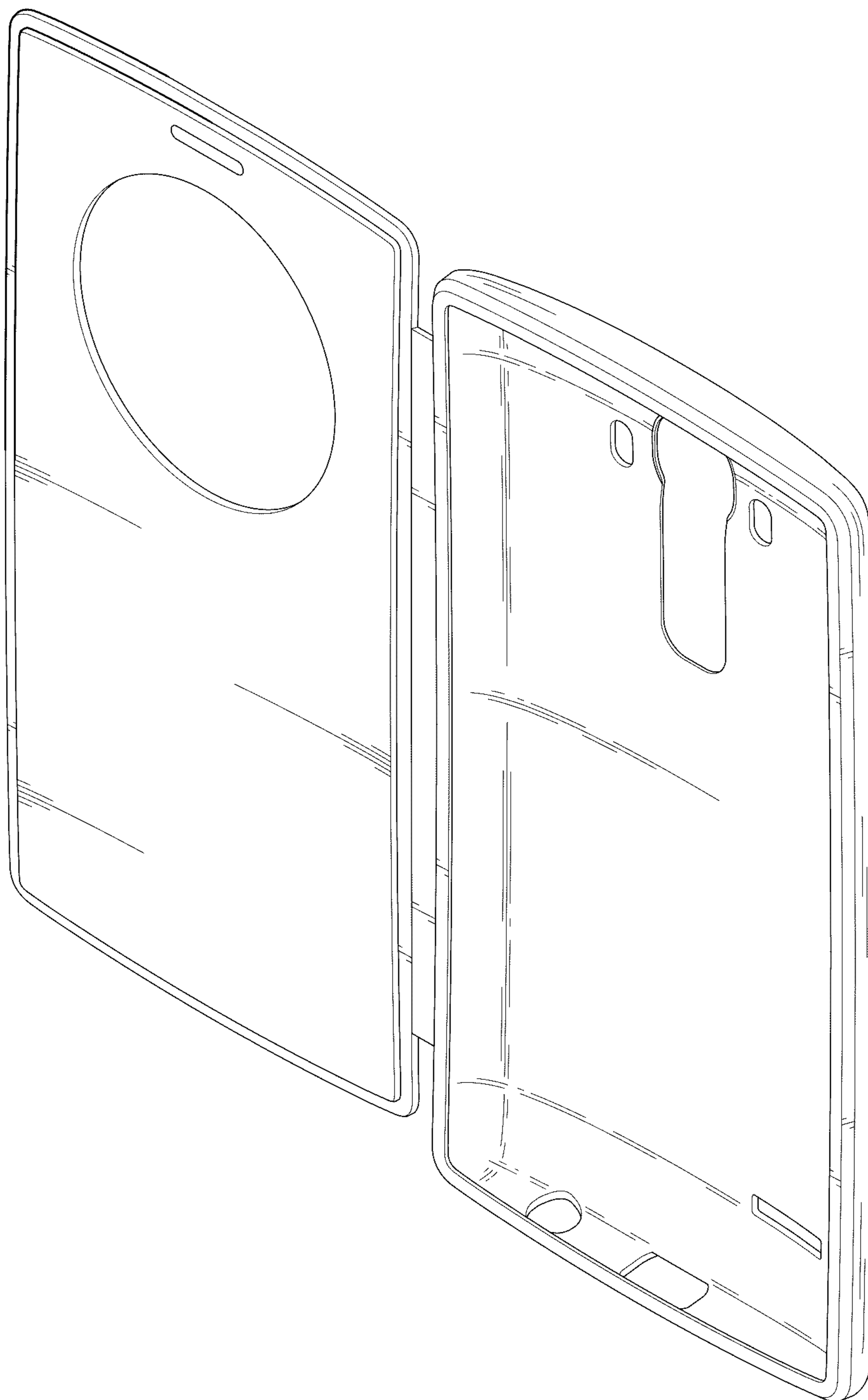


FIG. 2

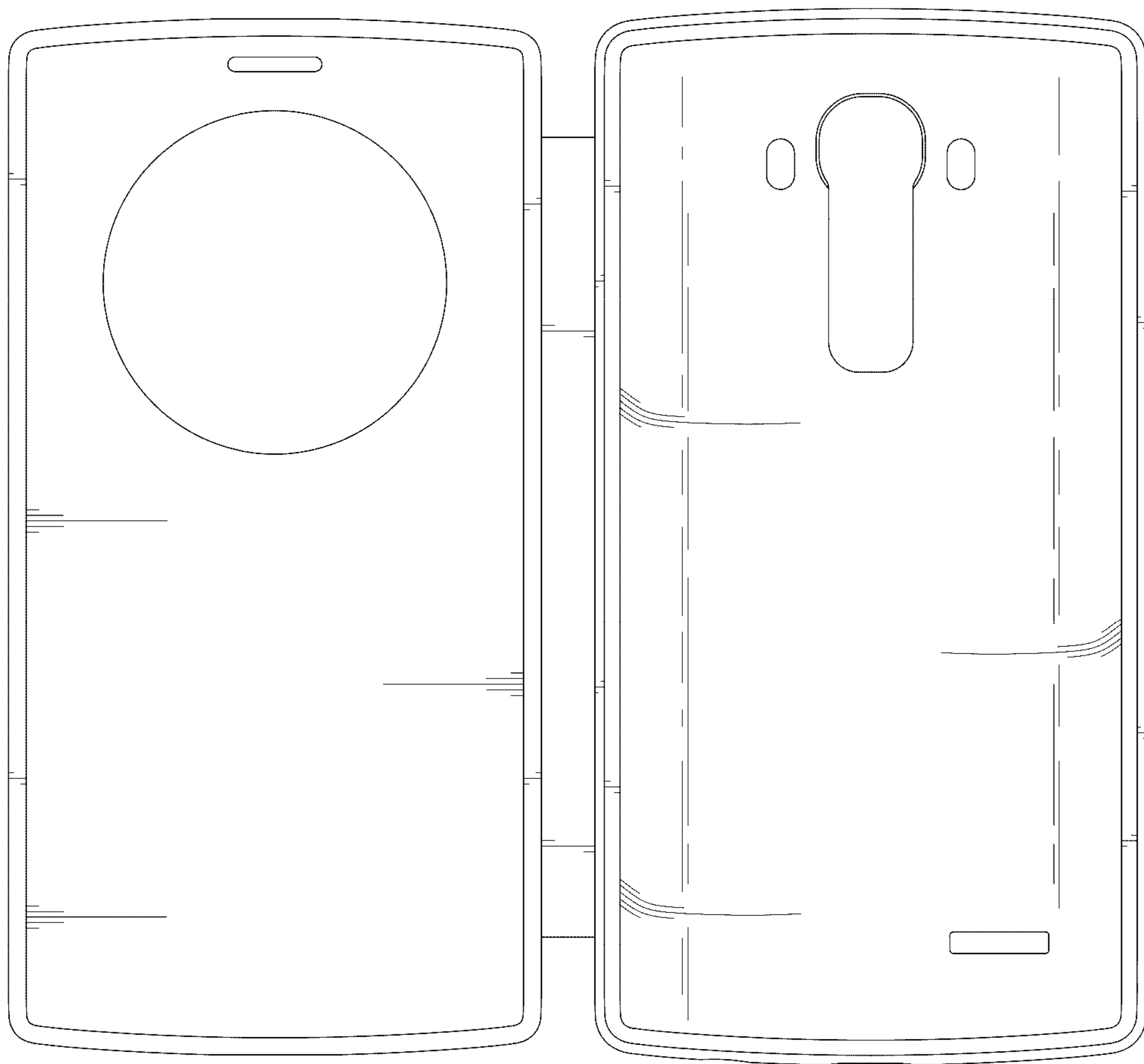


FIG. 3

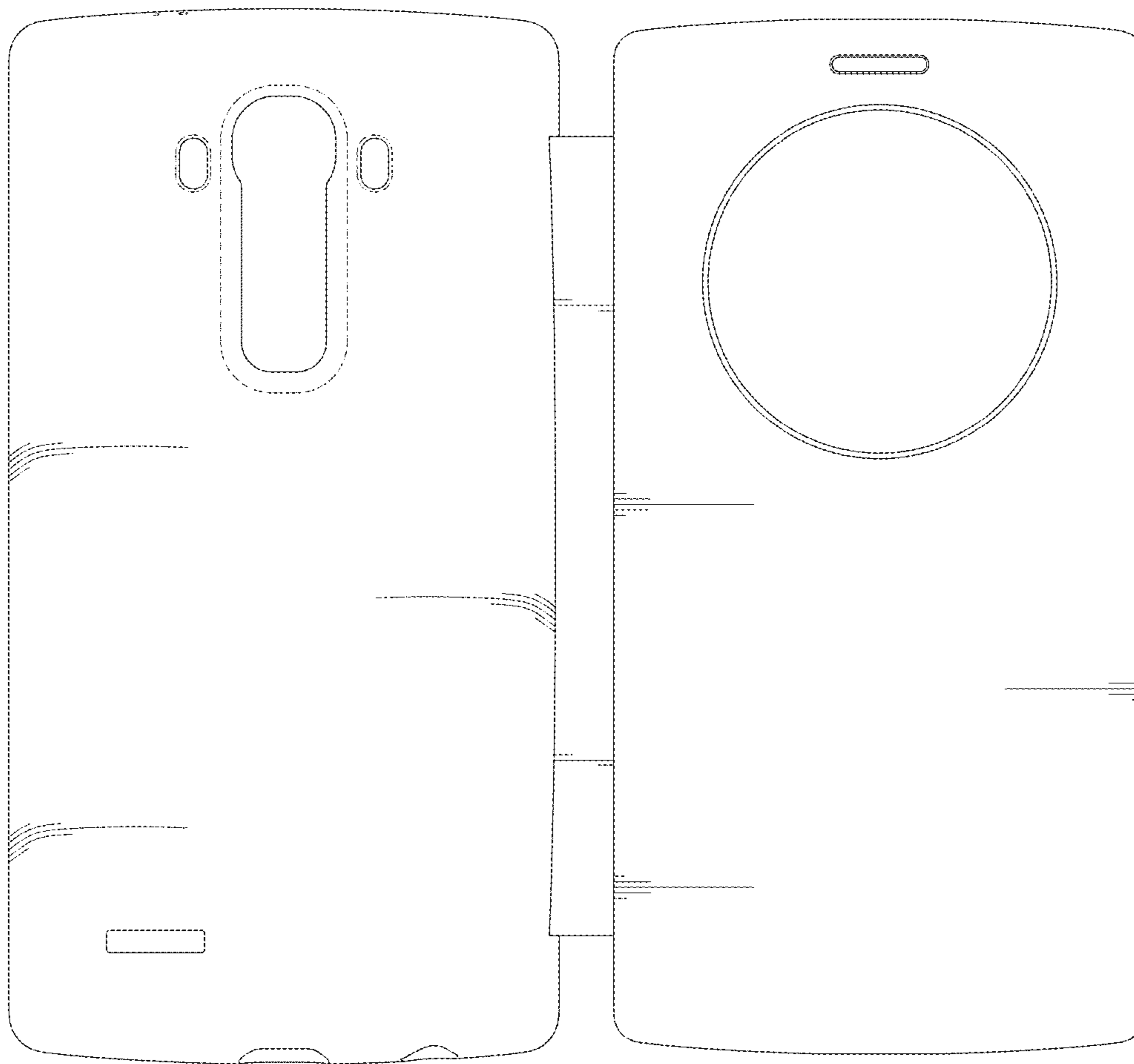


FIG. 4

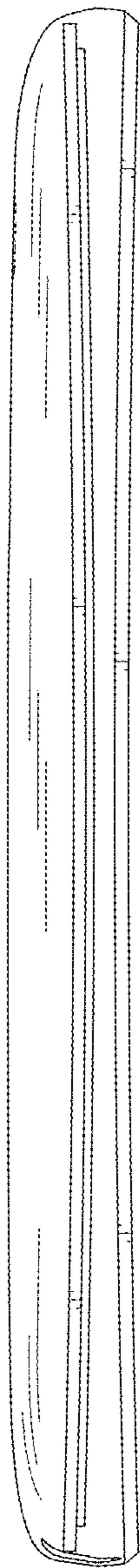


FIG. 5

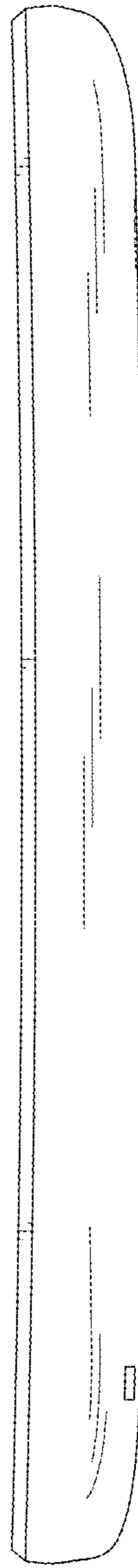


FIG. 6

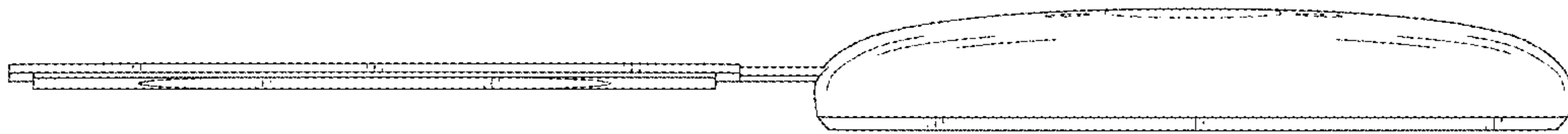


FIG. 7

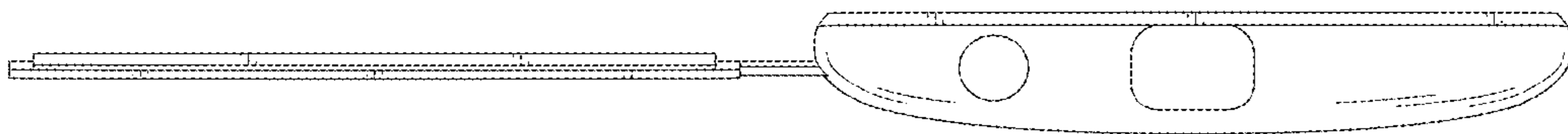


FIG. 8

