



US00D415238S

United States Patent [19]
Kay

[11] **Patent Number: Des. 415,238**

[45] **Date of Patent: ** Oct. 12, 1999**

[54] **AMBIDEXTROUS THUMB SAFETY**

4,523,510	6/1985	Wilhelm	89/142
5,212,327	5/1993	Schuemann	89/154
5,267,407	12/1993	Bornancini	89/154

[76] Inventor: **Ira M. Kay**, 7553 Gary Rd., P.O. Box 1750, Manassas, Va. 20109

[**] Term: **14 Years**

[21] Appl. No.: **29/098,568**

[22] Filed: **Dec. 31, 1998**

Primary Examiner—Louis S. Zarfaz
Assistant Examiner—Monica A. Weingart
Attorney, Agent, or Firm—Shlesinger, Arkwright & Garvey LLP

[57] **CLAIM**

The ornamental design for an ambidextrous thumb safety, as shown and described.

Related U.S. Application Data

[63] Continuation-in-part of application No. 29/071,033, May 19, 1997.

[51] **LOC (6) Cl.** **22-01**

[52] **U.S. Cl.** **D22/108; D22/100; D22/199**

[58] **Field of Search** **D22/100, 108, D22/199; 89/27.12, 142, 148, 154**

DESCRIPTION

FIG. 1 is rear perspective view of an ambidextrous thumb safety, showing my new design;
FIG. 2 is a rear elevational view of FIG. 1;
FIG. 3 is a front elevational view of FIG. 1;
FIG. 4 is a top plan view of FIG. 1;
FIG. 5 is a bottom plan view of FIG. 1;
FIG. 6 is a right side elevational view of FIG. 1; and,
FIG. 7 is a left side elevational view of FIG. 1.
The broken lines shown in FIGS. 1-7 form no part of the claimed design.

[56] **References Cited**

U.S. PATENT DOCUMENTS

D. 258,139	2/1981	Behlert	D22/108
D. 260,548	9/1981	Holland	D22/108
3,713,242	1/1973	Seifried	89/142

1 Claim, 2 Drawing Sheets

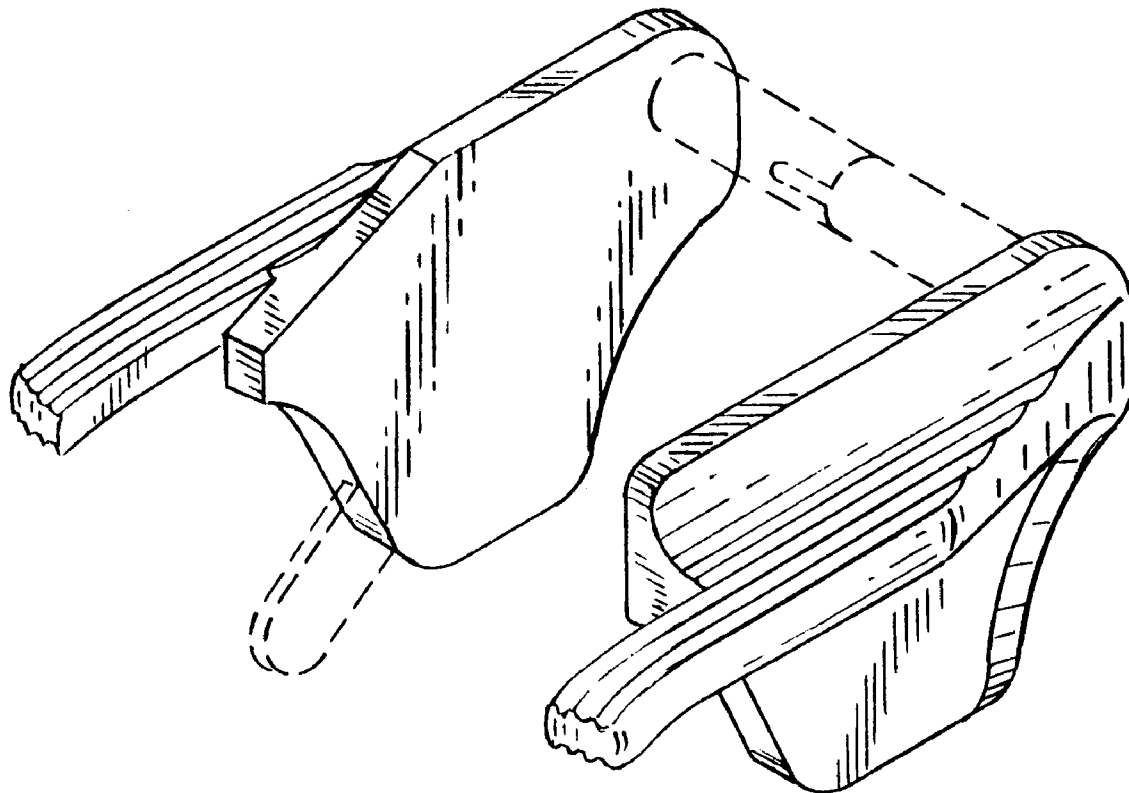


FIG. 1

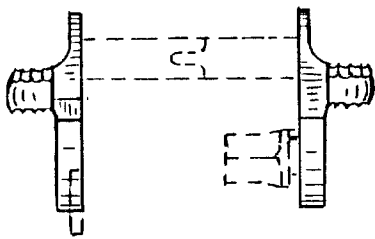
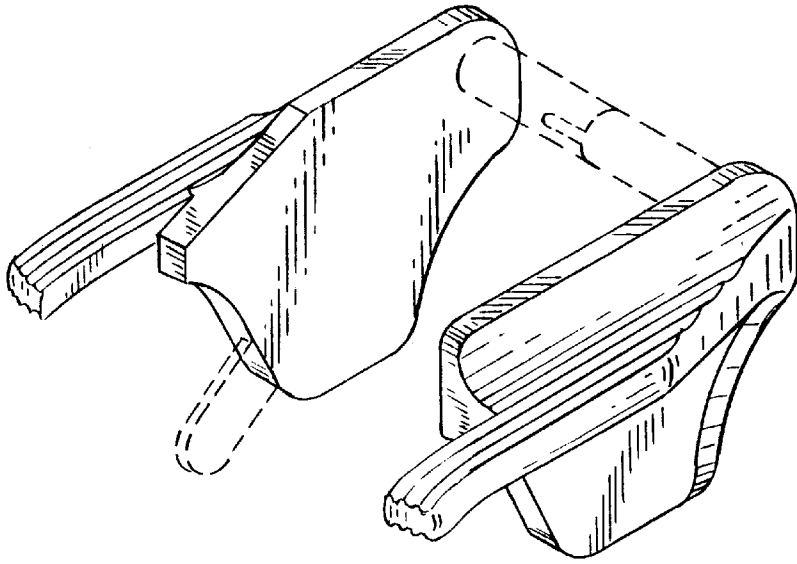


FIG. 2

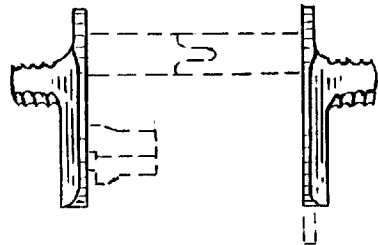


FIG. 3

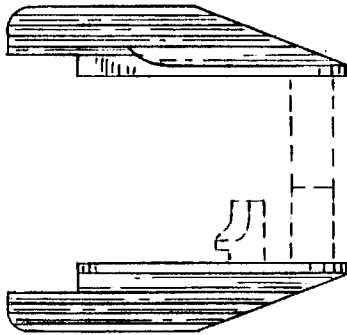


FIG. 4

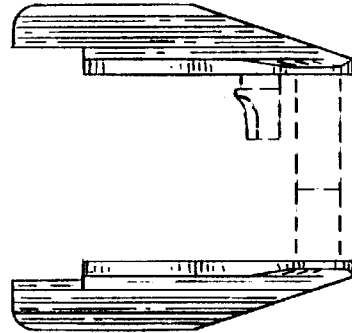


FIG. 5

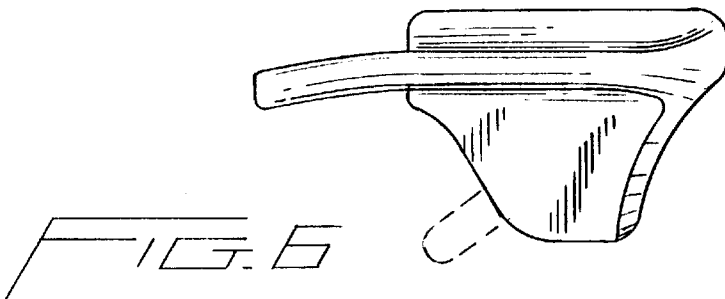


FIG. 6

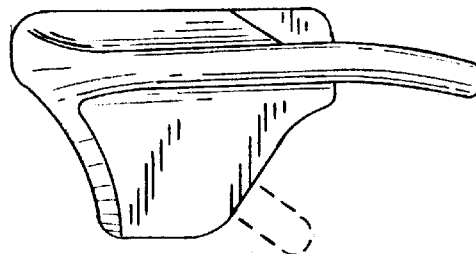


FIG. 7