

(19) World Intellectual Property Organization  
International Bureau



(43) International Publication Date  
7 July 2005 (07.07.2005)

PCT

(10) International Publication Number  
WO 2005/060398 A3

(51) International Patent Classification:

A61B 18/18 (2006.01) A61B 10/00 (2006.01)  
A61B 18/04 (2006.01)

(21) International Application Number:

PCT/US2004/029898

(22) International Filing Date:

10 September 2004 (10.09.2004)

(25) Filing Language:

English

(26) Publication Language:

English

(30) Priority Data:

10/730,633 8 December 2003 (08.12.2003) US

(71) Applicant (for all designated States except US): **INTACT MEDICAL CORPORATION** [US/US]; One Apple Hill, Suite 316, Natick, MA 01760 (US).

(72) Inventors; and

(75) Inventors/Applicants (for US only): **EGGERS, Philip, E.** [US/US]; 5366 Reserve Drive, Dublin, OH 43017 (US). **EGGERS, Andrew, R.** [US/US]; 3868 Fry Road, Ostrander, OH 43061 (US). **EGGERS, Eric, A.** [US/US]; 400 NE 44th Avenue, Portland, OR 97213 (US).

(74) Agents: **BURKE, Diane, E.** et al.; Mueller and Smith, LPA, 7700 Rivers Edge Drive, Columbus, OH 43235 (US).

(81) Designated States (unless otherwise indicated, for every kind of national protection available): AE, AG, AL, AM, AT, AU, AZ, BA, BB, BG, BR, BW, BY, BZ, CA, CH, CN, CO, CR, CU, CZ, DE, DK, DM, DZ, EC, EE, EG, ES, FI, GB, GD, GE, GH, GM, HR, HU, ID, IL, IN, IS, JP, KE, KG, KP, KR, KZ, LC, LK, LR, LS, LT, LU, LV, MA, MD, MG, MK, MN, MW, MX, MZ, NA, NI, NO, NZ, OM, PG, PH, PL, PT, RO, RU, SC, SD, SE, SG, SK, SL, SY, TJ, TM, TN, TR, TT, TZ, UA, UG, US, UZ, VC, VN, YU, ZA, ZM, ZW.

(84) Designated States (unless otherwise indicated, for every kind of regional protection available): ARIPO (BW, GH, GM, KE, LS, MW, MZ, NA, SD, SL, SZ, TZ, UG, ZM, ZW), Eurasian (AM, AZ, BY, KG, KZ, MD, RU, TJ, TM), European (AT, BE, BG, CH, CY, CZ, DE, DK, EE, ES, FI, FR, GB, GR, HU, IE, IT, LU, MC, NL, PL, PT, RO, SE, SI, SK, TR), OAPI (BF, BJ, CF, CG, CI, CM, GA, GN, GQ, GW, ML, MR, NE, SN, TD, TG).

Published:

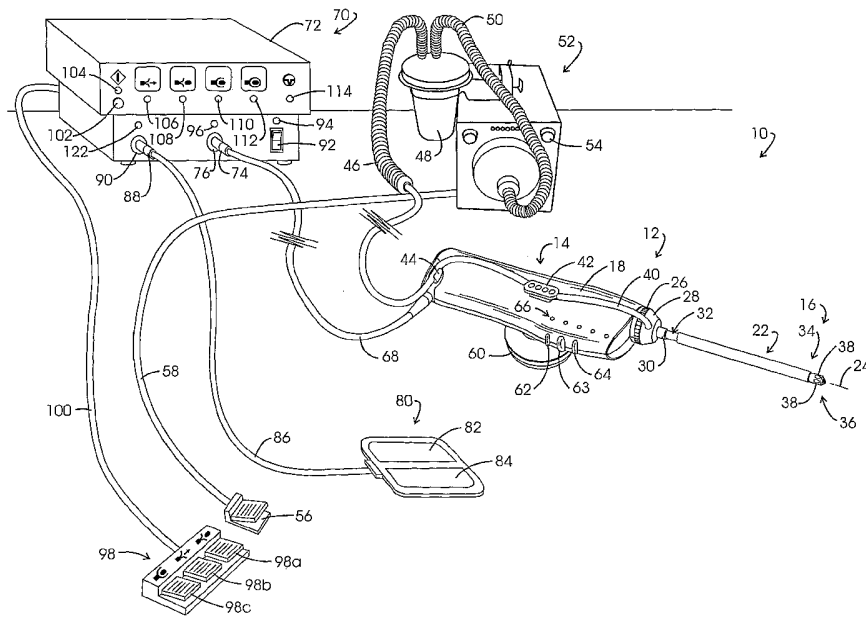
— with international search report

(88) Date of publication of the international search report:

18 January 2007

For two-letter codes and other abbreviations, refer to the "Guidance Notes on Codes and Abbreviations" appearing at the beginning of each regular issue of the PCT Gazette.

(54) Title: ELECTROSURGICAL SYSTEM WITH IMPROVED TISSUE CAPTURE COMPONENT



(57) Abstract: Electrosurgical tissue specimen recovery apparatus and system employing a multi-leaf capture component configured with pursing cables which are electrosurgically excited to define a cutting leading edge. To complete a capture, the cables are loaded in tension to purse and thus converge the tips of the capture component leaves together. The forward regions of the leaves are configured with a combination of a thin flat stainless steel region over which a polymeric cable guide is positioned. The polymeric cable guide and stainless steel leaf driving combination improves frictional aspects as well as the resulting aspect ratio of a recovered tissue specimen.

WO 2005/060398 A3

**INTERNATIONAL SEARCH REPORT**

International application No.  
PCT/US04/29898

**A. CLASSIFICATION OF SUBJECT MATTER**  
 IPC: **A61B 18/18( 2006.01),18/04( 2006.01),10/00( 2006.01)**  
  
 USPC: 606/39,34,32;600/562,564  
 According to International Patent Classification (IPC) or to both national classification and IPC

**B. FIELDS SEARCHED**  
 Minimum documentation searched (classification system followed by classification symbols)  
 U.S. : 606/39,34,32,37,38,40,41,45,46,47,48,49,50;600/562,564,565,566,567,568  
  
 Documentation searched other than minimum documentation to the extent that such documents are included in the fields searched

Electronic data base consulted during the international search (name of data base and, where practicable, search terms used)

**C. DOCUMENTS CONSIDERED TO BE RELEVANT**

Category *	Citation of document, with indication, where appropriate, of the relevant passages	Relevant to claim No.
X	US 2002/0072688 A1 (BURBANK et al) 13 June 2002 (13.06.2002), entire document.	1-29

Further documents are listed in the continuation of Box C.       See patent family annex.

* Special categories of cited documents:	
"A" document defining the general state of the art which is not considered to be of particular relevance	"T" later document published after the international filing date or priority date and not in conflict with the application but cited to understand the principle or theory underlying the invention
"E" earlier application or patent published on or after the international filing date	"X" document of particular relevance; the claimed invention cannot be considered novel or cannot be considered to involve an inventive step when the document is taken alone
"L" document which may throw doubts on priority claim(s) or which is cited to establish the publication date of another citation or other special reason (as specified)	"Y" document of particular relevance; the claimed invention cannot be considered to involve an inventive step when the document is combined with one or more other such documents, such combination being obvious to a person skilled in the art
"O" document referring to an oral disclosure, use, exhibition or other means	"&" document member of the same patent family
"P" document published prior to the international filing date but later than the priority date claimed	

Date of the actual completion of the international search 21 June 2006 (21.06.2006)	Date of mailing of the international search report <b>24 OCT 2006</b>
--	--

Name and mailing address of the ISA/US Mail Stop PCT, Attn: ISA/US Commissioner for Patents P.O. Box 1450 Alexandria, Virginia 22313-1450 Facsimile No. (571) 273-3201	Authorized officer Max F Hindenburg <i>A. Hurley for</i> Telephone No. (571) 272-4726
---	---