



- (51) International Patent Classification:
G09G 5/00 (2006.01)
- (21) International Application Number:
PCT/US2011/042818
- (22) International Filing Date:
1 July 2011 (01.07.2011)
- (25) Filing Language: English
- (26) Publication Language: English
- (30) Priority Data:
12/830,274 2 July 2010 (02.07.2010) US
- (71) Applicant (for all designated States except US): **ALPHA & OMEGA, INC.** [US/US]; 4735 Montview Blvd., Denver, CO 80207 (US).
- (72) Inventors; and
- (75) Inventors/Applicants (for US only): **AUGUSTE, Donna, M.** [US/US]; 4735 Montview Blvd., Denver, CO 80207 (US). **HAYES, David, E.** [US/US]; 4735 Montview Blvd., Denver, CO 80207 (US).
- (74) Agent: **HICKMAN, Paul, L.**; Technology & Intellectual Property Strategies Group PC, 1000 Elwell Court, Suite 150, Palo Alto, CA 94303 (US).

- (81) Designated States (unless otherwise indicated, for every kind of national protection available): AE, AG, AL, AM, AO, AT, AU, AZ, BA, BB, BG, BH, BR, BW, BY, BZ, CA, CH, CL, CN, CO, CR, CU, CZ, DE, DK, DM, DO, DZ, EC, EE, EG, ES, FI, GB, GD, GE, GH, GM, GT, HN, HR, HU, ID, IL, IN, IS, JP, KE, KG, KM, KN, KP, KR, KZ, LA, LC, LK, LR, LS, LT, LU, LY, MA, MD, ME, MG, MK, MN, MW, MX, MY, MZ, NA, NG, NI, NO, NZ, OM, PE, PG, PH, PL, PT, RO, RS, RU, SC, SD, SE, SG, SK, SL, SM, ST, SV, SY, TH, TJ, TM, TN, TR, TT, TZ, UA, UG, US, UZ, VC, VN, ZA, ZM, ZW.
- (84) Designated States (unless otherwise indicated, for every kind of regional protection available): ARIPO (BW, GH, GM, KE, LR, LS, MW, MZ, NA, SD, SL, SZ, TZ, UG, ZM, ZW), Eurasian (AM, AZ, BY, KG, KZ, MD, RU, TJ, TM), European (AL, AT, BE, BG, CH, CY, CZ, DE, DK, EE, ES, FI, FR, GB, GR, HR, HU, IE, IS, IT, LT, LU, LV, MC, MK, MT, NL, NO, PL, PT, RO, RS, SE, SI, SK, SM, TR), OAPI (BF, BJ, CF, CG, CI, CM, GA, GN, GQ, GW, ML, MR, NE, SN, TD, TG).

Published:

— with international search report (Art. 21(3))

- (88) Date of publication of the international search report:
27 March 2014

(54) Title: REMOTE BUTTON ACTIVATOR FOR ELECTRONIC DISPLAY DEVICES

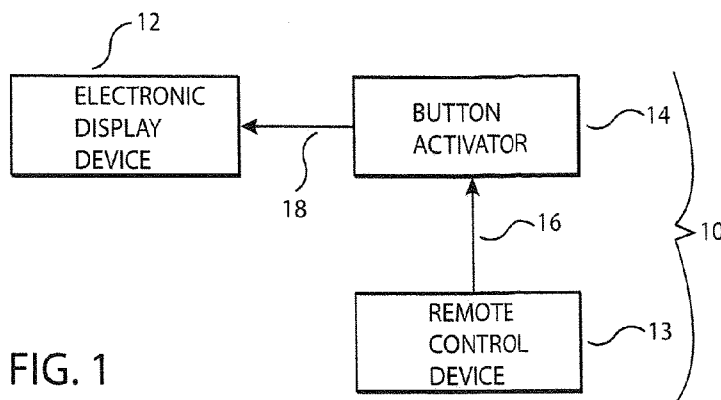


FIG. 1

(57) Abstract: An e-book reader page turner system includes a remote control device and a button activator. The remote control device includes a case provided with a number of buttons, a digital processor coupled to the number of buttons, and a digital packet transmitter. The button actuator includes a frame configured to engage with an e-book reader, a number of physical actuators supported by the frame and movable with respect thereto, a digital packet receiver, a digital processor coupled to the digital packet receiver, a motor controller coupled to the digital processor, and a number of motors electrically coupled to the motor controller and physically coupled to the number of physical actuators.



INTERNATIONAL SEARCH REPORT

International application No.

PCT/US2011/042818

A. CLASSIFICATION OF SUBJECT MATTER

IPC(8) - G09G 5/00 (2011.01)

USPC - 345/901

According to International Patent Classification (IPC) or to both national classification and IPC

B. FIELDS SEARCHED

Minimum documentation searched (classification system followed by classification symbols)

IPC(8) - G09G 5/00, 5/36; H04N 5/232 (2011.01)

USPC - 345/169, 204, 901

Documentation searched other than minimum documentation to the extent that such documents are included in the fields searched

Electronic data base consulted during the international search (name of data base and, where practicable, search terms used)

Micropatent; Google Patents; Google Scholar

C. DOCUMENTS CONSIDERED TO BE RELEVANT

Category*	Citation of document, with indication, where appropriate, of the relevant passages	Relevant to claim No.
X	US 2003/0214601 A1 (YUEN) 20 November 2003 (20.11.2003) entire document	1-6, 9, 10
Y		7, 8, 11-15
Y	US 6,822,635 B1 (SHAOIAN et al) 23 November 2004 (23.11.2004) entire document	7, 8, 11, 15
A	US 7,386,804 B2 (HO et al) 10 June 2008 (10.06.2008) entire document	1-15
A	US 6,712,701 B1 (BOYLAN III et al) 30 March 2004 (30.03.2004) entire document	1-15

 Further documents are listed in the continuation of Box C.

* Special categories of cited documents:	"T" later document published after the international filing date or priority date and not in conflict with the application but cited to understand the principle or theory underlying the invention
"A" document defining the general state of the art which is not considered to be of particular relevance	"X" document of particular relevance; the claimed invention cannot be considered novel or cannot be considered to involve an inventive step when the document is taken alone
"E" earlier application or patent but published on or after the international filing date	"Y" document of particular relevance; the claimed invention cannot be considered to involve an inventive step when the document is combined with one or more other such documents, such combination being obvious to a person skilled in the art
"L" document which may throw doubts on priority claim(s) or which is cited to establish the publication date of another citation or other special reason (as specified)	"&" document member of the same patent family
"O" document referring to an oral disclosure, use, exhibition or other means	
"P" document published prior to the international filing date but later than the priority date claimed	

Date of the actual completion of the international search

16 November 2011

Date of mailing of the international search report

02 DEC 2011

Name and mailing address of the ISA/US

Mail Stop PCT, Attn: ISA/US, Commissioner for Patents
P.O. Box 1450, Alexandria, Virginia 22313-1450

Facsimile No. 571-273-3201

Authorized officer:

Blaine R. Copenheaver

PCT Helpdesk: 571-272-4300
PCT OSP: 571-272-7774