

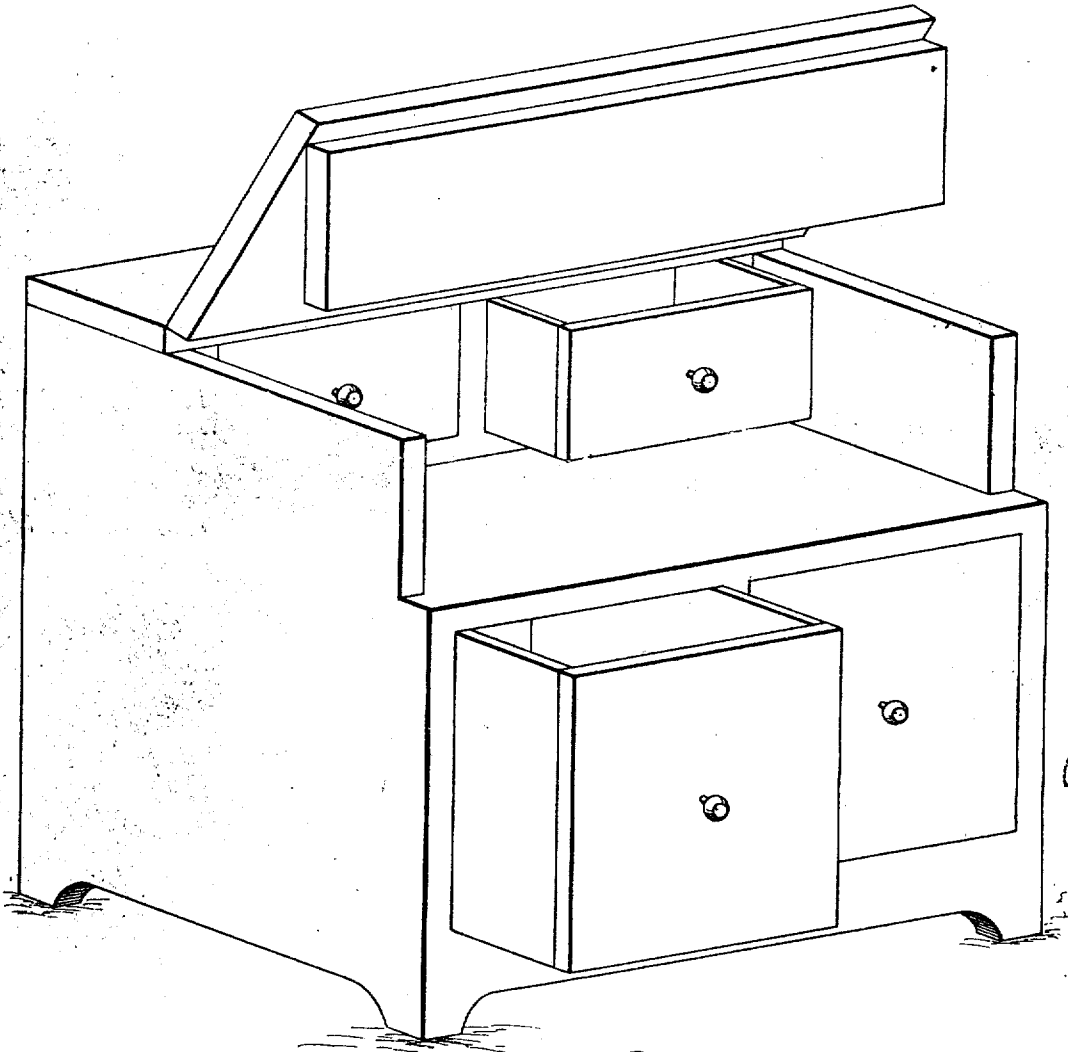
BEST AVAILABLE COPY

NO. 1

Design for a Flour Safe .

D 5224

PATENTED AUG 22 1871



6082

*C. David*

INVENTOR.

*By Hugh H. Ross*  
*Att'y*

Attest.

*Geo. H. Layman*  
*Notary*

BEST AVAILABLE COPY

5,224

# UNITED STATES PATENT OFFICE.

GEORGE DAVIS, OF CINCINNATI, OHIO.

## DESIGN FOR A FLOUR-SAFE.

Specification forming part of Design No. 5,224, dated August 22, 1871.

*To all whom it may concern:*

Be it known that I, GEORGE DAVIS, of Cincinnati, in the county of Hamilton and State of Ohio, have invented and produced a new and original Design for a Flour-Safe, of which the following is a specification:

The nature of my design is fully represented in the accompanying illustration, to which reference is made.

I claim as my invention—  
The design for a flour-safe, as shown.  
In testimony of which invention I hereunto set  
my hand.

GEORGE DAVIS.

Witnesses:

GEO. H. KNIGHT,  
JAMES H. LAYMAN.