

(19) World Intellectual Property Organization
International Bureau



(43) International Publication Date
19 August 2004 (19.08.2004)

PCT

(10) International Publication Number
WO 2004/069431 A3

(51) International Patent Classification:
G07D 3/00 (2006.01) G07D 3/14 (2006.01)

CO, CR, CU, CZ, DE, DK, DM, DZ, EC, EE, EG, ES, FI, GB, GD, GE, GH, GM, HR, HU, ID, IL, IN, IS, JP, KE, KG, KP, KR, KZ, LC, LK, LR, LS, LT, LU, LV, MA, MD, MG, MK, MN, MW, MX, MZ, NA, NI, NO, NZ, OM, PG, PH, PL, PT, RO, RU, SC, SD, SE, SG, SK, SL, SY, TJ, TM, TN, TR, TT, TZ, UA, UG, US, UZ, VC, VN, YU, ZA, ZM, ZW.

(21) International Application Number:
PCT/US2004/002331

(22) International Filing Date: 28 January 2004 (28.01.2004)

(25) Filing Language: English

(84) Designated States (unless otherwise indicated, for every kind of regional protection available): ARIPO (BW, GH, GM, KE, LS, MW, MZ, SD, SL, SZ, TZ, UG, ZM, ZW), Eurasian (AM, AZ, BY, KG, KZ, MD, RU, TJ, TM), European (AT, BE, BG, CH, CY, CZ, DE, DK, EE, ES, FI, FR, GB, GR, HU, IE, IT, LU, MC, NL, PT, RO, SE, SI, SK, TR), OAPI (BF, BJ, CF, CG, CI, CM, GA, GN, GQ, GW, ML, MR, NE, SN, TD, TG).

(26) Publication Language: English

(30) Priority Data:
60/444,178 3 February 2003 (03.02.2003) US
10/742,722 19 December 2003 (19.12.2003) US

(71) Applicants and

Published:
— with international search report
— before the expiration of the time limit for amending the claims and to be republished in the event of receipt of amendments

(72) Inventors: DE MEUTTER, Ludo [BE/BE]; J. Reusenslei 110, B-2150 Borsbeek (BE). DE RAEDT, Peter, Wolfgang [BE/US]; 6473 Meadow Hill Drive, Reno, NV 89509 (US).

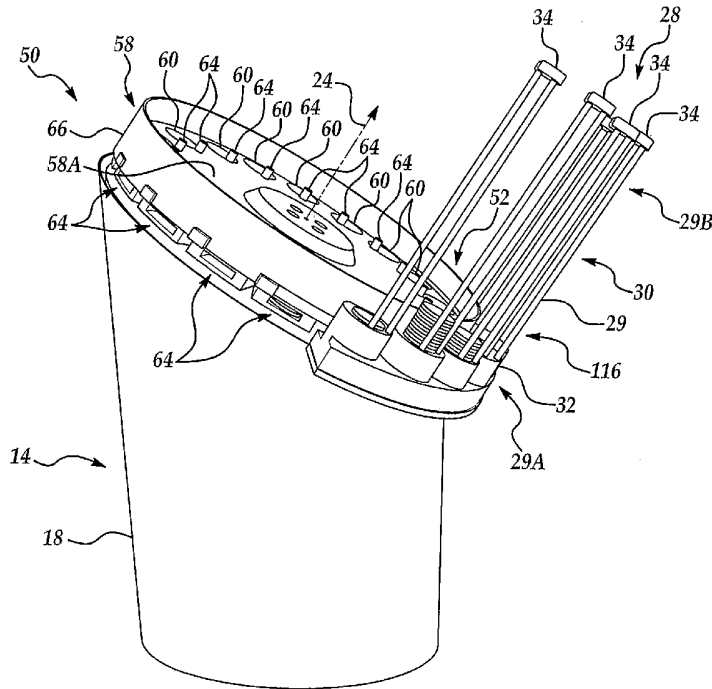
(88) Date of publication of the international search report:
31 August 2006

(74) Agents: YEE, James, R. et al.; Howard and Howard Attorneys, P.C., Suite 101, 39400 Woodward Avenue, Bloomfield Hills, MI 48304-5151 (US).

For two-letter codes and other abbreviations, refer to the "Guidance Notes on Codes and Abbreviations" appearing at the beginning of each regular issue of the PCT Gazette.

(81) Designated States (unless otherwise indicated, for every kind of national protection available): AE, AG, AL, AM, AT, AU, AZ, BA, BB, BG, BR, BW, BY, BZ, CA, CH, CN,

(54) Title: APPARATUS FOR SORTING ARTICLES



(57) Abstract: A device (Fig. 2) for sorting discs ejects the disks from the receptacle by means of a rotating wheel with numerous wells (62) into collecting devices (34).



WO 2004/069431 A3

INTERNATIONAL SEARCH REPORT

International application No.

PCT/US04/02331

A. CLASSIFICATION OF SUBJECT MATTER

IPC: **G07D 3/00**(2006.01),**3/14**(2006.01)

USPC: 453/6,12,13

According to International Patent Classification (IPC) or to both national classification and IPC

B. FIELDS SEARCHED

Minimum documentation searched (classification system followed by classification symbols)

U.S. : 209/552, 576, 580, 583, 651, 652; 194/210-213; 453/6, 10, 12, 13, 15, 33, 45, 49

Documentation searched other than minimum documentation to the extent that such documents are included in the fields searched

Electronic data base consulted during the international search (name of data base and, where practicable, search terms used)

Text search EAST (Search terms: coin sort ejector well collector wheel circle)

C. DOCUMENTS CONSIDERED TO BE RELEVANT

Category *	Citation of document, with indication, where appropriate, of the relevant passages	Relevant to claim No.
X	US 6,080,056 A (KARLSSON) 27 June 2000 (27.06.00), Fig. 1-3.	23-27, 29-30
A	US 3,143,118 A (HAINES) 04 August 1964 (04.08.1964).	
A	US 1,947,456 A (BOCK) 20 February 1934 (20.02.1934).	

Further documents are listed in the continuation of Box C.

See patent family annex.

* Special categories of cited documents:

"A" document defining the general state of the art which is not considered to be of particular relevance

"B" earlier application or patent published on or after the international filing date

"L" document which may throw doubts on priority claim(s) or which is cited to establish the publication date of another citation or other special reason (as specified)

"O" document referring to an oral disclosure, use, exhibition or other means

"P" document published prior to the international filing date but later than the priority date claimed

"T" later document published after the international filing date or priority date and not in conflict with the application but cited to understand the principle or theory underlying the invention

"X" document of particular relevance; the claimed invention cannot be considered novel or cannot be considered to involve an inventive step when the document is taken alone

"Y" document of particular relevance; the claimed invention cannot be considered to involve an inventive step when the document is combined with one or more other such documents, such combination being obvious to a person skilled in the art

"&" document member of the same patent family

Date of the actual completion of the international search

18 April 2006 (18.04.2006)

Date of mailing of the international search report

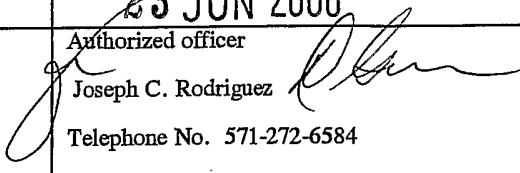
23 JUN 2006

Name and mailing address of the ISA/US

Mail Stop PCT, Attn: ISA/US
Commissioner for Patents
P.O. Box 1450
Alexandria, Virginia 22313-1450

Facsimile No. (571) 273-3201

Authorized officer

Joseph C. Rodriguez 

Telephone No. 571-272-6584