



US00D883296S

(12) **United States Design Patent**
Lee

(10) **Patent No.:** **US D883,296 S**

(45) **Date of Patent:** **** May 5, 2020**

(54) **PROTECTIVE COVER SKIN FOR ELECTRONIC DEVICE**

(71) Applicant: **elago CO. LTD**, Goyang-si, Gyeonggi-do (KR)

(72) Inventor: **Chanwoo Lee**, Goyang-si (KR)

(73) Assignee: **elago CO. LTD**, Goyang-si, Gyeonggi-Do (KR)

(**) Term: **15 Years**

(21) Appl. No.: **29/718,750**

(22) Filed: **Dec. 27, 2019**

(51) **LOC (12) Cl.** **14-02**

(52) **U.S. Cl.**
USPC **D14/440**

(58) **Field of Classification Search**
USPC D14/440, 447, 250; 206/45.23, 320,
206/45.2; 361/679.55; 294/25; 224/218;
D3/294; D9/420

(Continued)

(56) **References Cited**

U.S. PATENT DOCUMENTS

D323,929 S * 2/1992 Hodson D14/440
D377,788 S * 2/1997 Carlson D14/440

(Continued)

FOREIGN PATENT DOCUMENTS

CN 304616205 5/2018
CN 304708016 7/2018

(Continued)

Primary Examiner — Cynthia R Underwood

(74) *Attorney, Agent, or Firm* — Paratus Law Group, PLLC

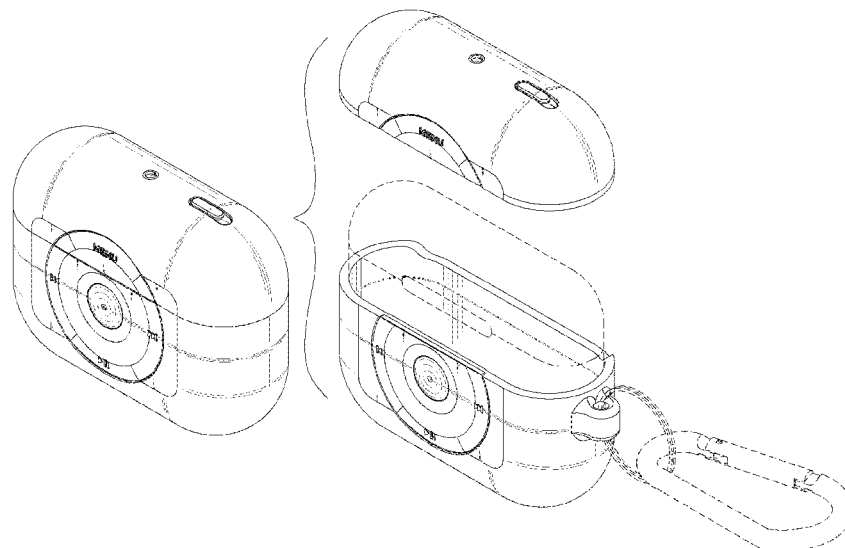
(57) **CLAIM**

The ornamental design for a protective cover skin for electronic device, as shown and described.

DESCRIPTION

FIG. 1 is a front, top, and right perspective view of a protective cover skin for electronic device, showing a first embodiment of the claimed design;
FIG. 2 is a front view of the first embodiment;
FIG. 3 is a back view of the first embodiment;
FIG. 4 is a left side view of the first embodiment;
FIG. 5 is a right view of the first embodiment;
FIG. 6 is a top view of the first embodiment;
FIG. 7 is a bottom view of the first embodiment;
FIG. 8 is a rear, top, and right perspective view of the first embodiment;
FIG. 9 is a front, bottom, and right perspective view of the first embodiment;
FIG. 10 is an exploded front, top and right perspective view of the first embodiment with a top portion open in use;
FIG. 11 is a front, top, and right perspective view of a protective cover skin for electronic device, showing a second embodiment of the claimed design;
FIG. 12 is a front view of the second embodiment;
FIG. 13 is a back view of the second embodiment;
FIG. 14 is a left side view of the second embodiment;
FIG. 15 is a right view of the second embodiment;
FIG. 16 is a top view of the second embodiment;
FIG. 17 is a bottom view of the second embodiment;
FIG. 18 is a rear, top, and right perspective view of the second embodiment;
FIG. 19 is a rear, bottom, and right perspective view of the second embodiment; and,
FIG. 20 is an exploded front, top and right perspective view of the second embodiment with a top portion open in use. The broken lines shown in FIGS. 3, 10, 13 and 20 depict parts of the protective cover skin for electronic device but form no part of the claimed design. The broken lines shown in FIGS. 10 and 20 forming a keyring and carabiner depict environment and form no part of the claimed design.

1 Claim, 10 Drawing Sheets



US D883,296 S

(58) **Field of Classification Search**

CPC G06F 1/1628; G06F 1/1626; A47B 23/044
See application file for complete search history.

(56) **References Cited**

U.S. PATENT DOCUMENTS

D467,799 S * 12/2002 Persson D9/420
D489,051 S 4/2004 Shiraki et al.
D558,973 S * 1/2008 Hussaini D3/201
D650,355 S 12/2011 Andre et al.
D656,159 S 3/2012 Andre et al.
D665,820 S 8/2012 Andre et al.
D714,296 S * 9/2014 Fujioka D14/440
8,831,538 B2 * 9/2014 Yuen A61B 5/222
455/90.1
D720,096 S * 12/2014 McDougall D28/66
D740,692 S * 10/2015 Christie D9/748
D764,476 S * 8/2016 Gleason, III D14/440
D806,388 S 1/2018 Akana et al.
D810,421 S * 2/2018 Ross D3/203.1
D812,065 S * 3/2018 Shim D14/440

D817,640 S * 5/2018 Dang D3/294
D818,268 S * 5/2018 Akana D3/294
D846,264 S * 4/2019 Wu D3/201
D849,401 S * 5/2019 Akana D3/274
D851,913 S 6/2019 Yu
D864,971 S 10/2019 Lee et al.
D868,453 S 12/2019 Lee et al.
D868,465 S 12/2019 Lee et al.
D872,094 S * 1/2020 Wright D14/440
D873,217 S * 1/2020 Zhang D13/108
D876,821 S * 3/2020 Lee D3/203.3
2007/0184781 A1 8/2007 Huskinson
2007/0256946 A1 * 11/2007 Godshaw B65D 25/10
206/320

FOREIGN PATENT DOCUMENTS

CN 304814243 9/2018
CN 304877424 11/2018
GB 6040802 8/2018
KR 301028794.0000 10/2019
KR 301028795.0000 10/2019

* cited by examiner

FIG. 1

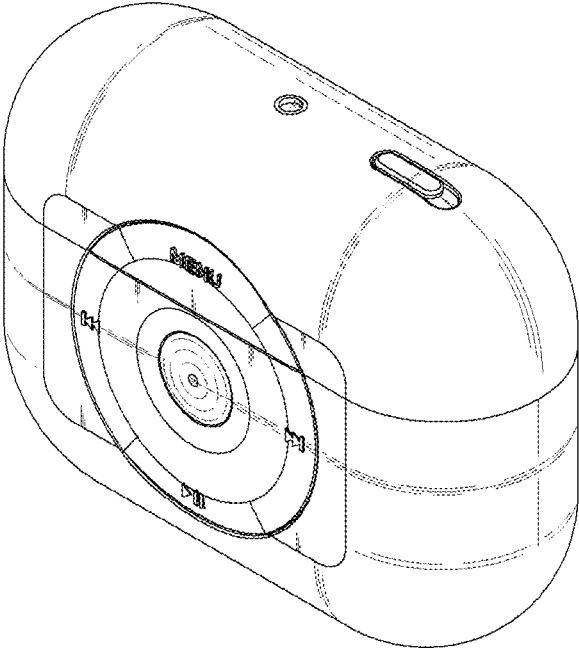


FIG. 2

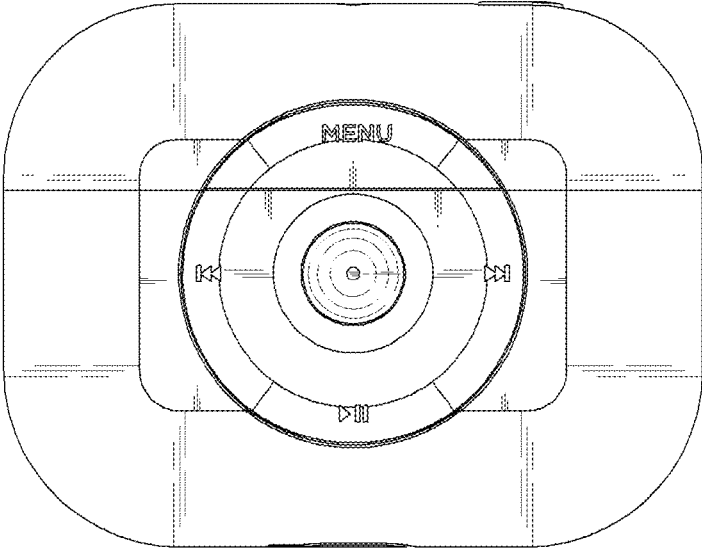


FIG. 3

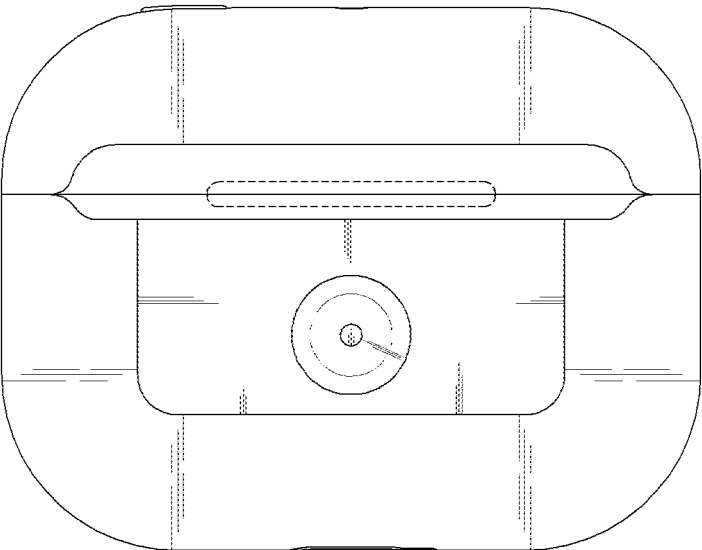


FIG. 4

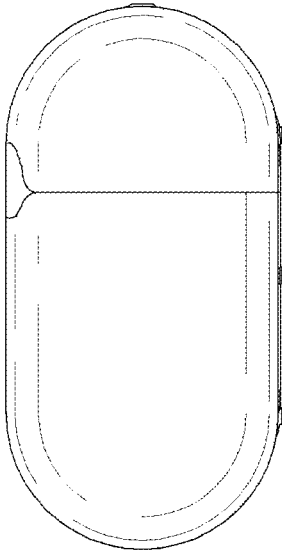


FIG. 5

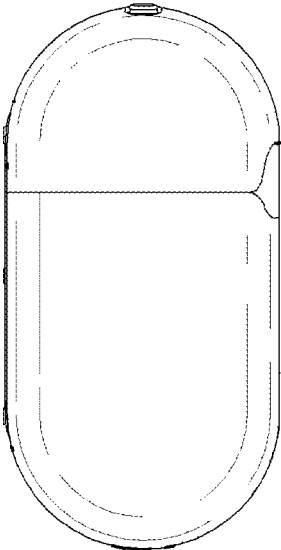


FIG. 6

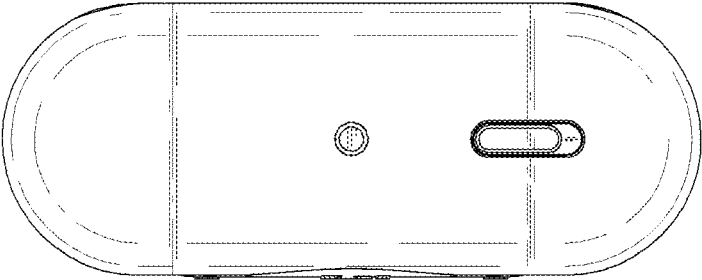


FIG. 7

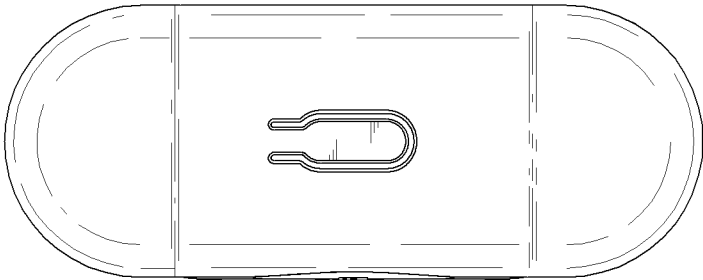


FIG. 8

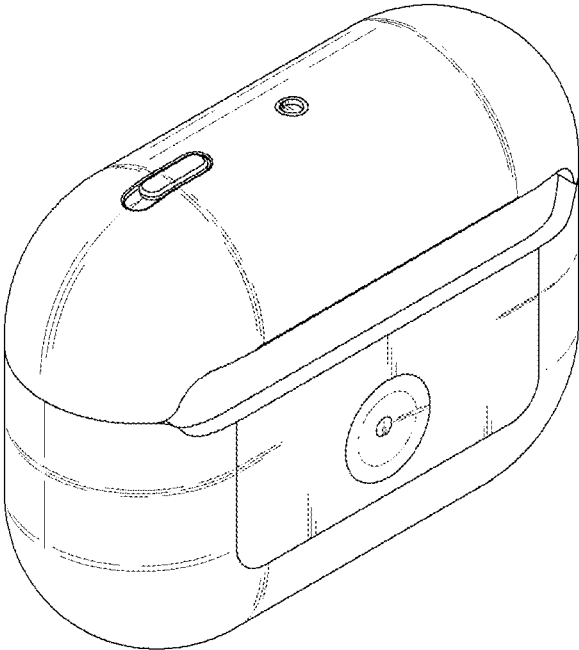


FIG. 9

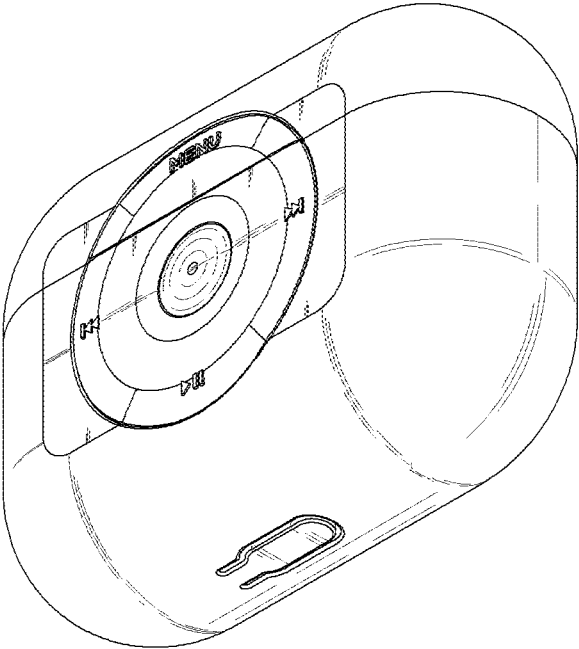


FIG. 10

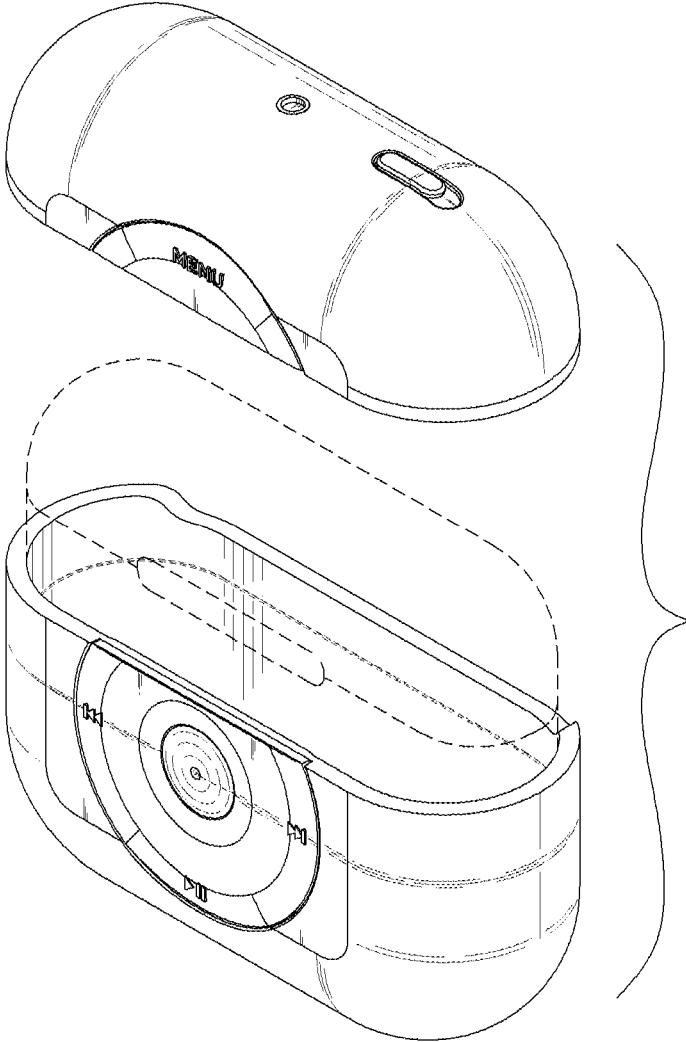


FIG. 11

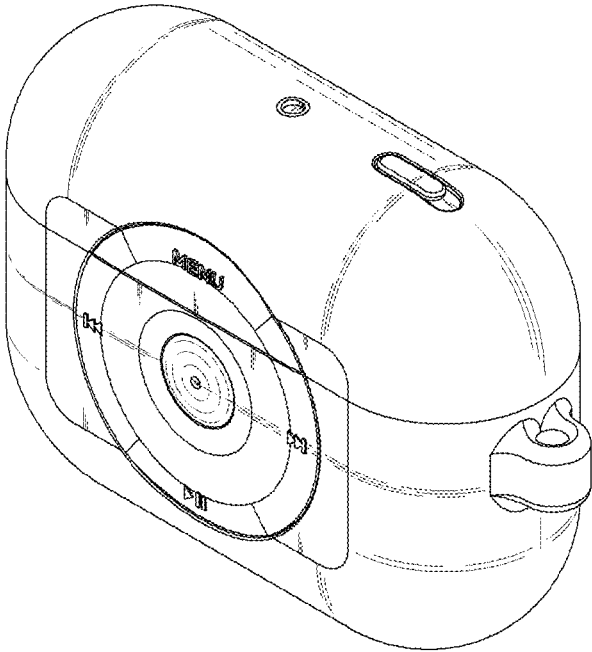


FIG. 12

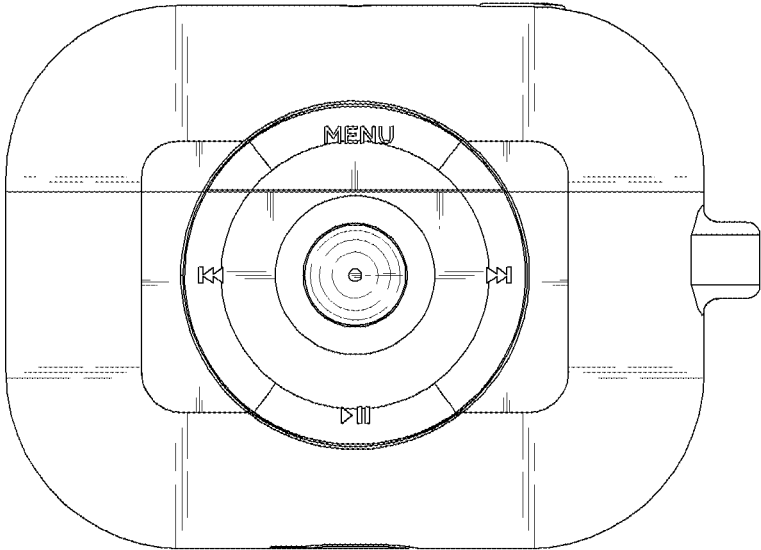


FIG. 13

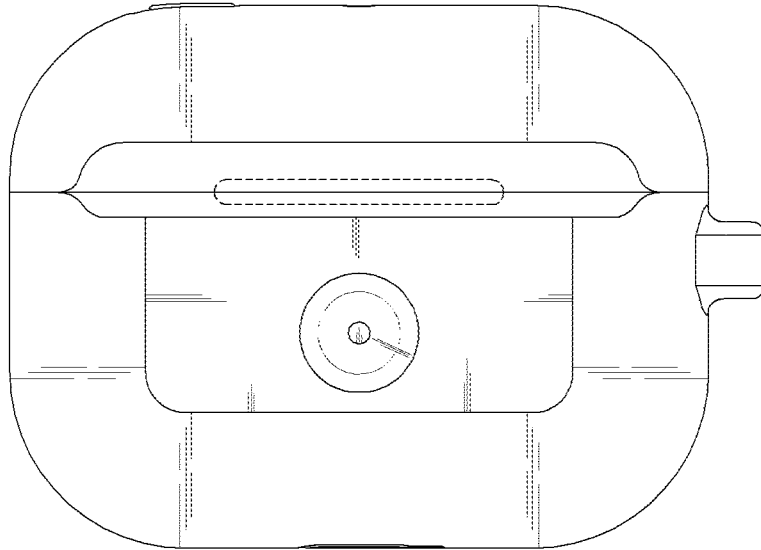


FIG. 14

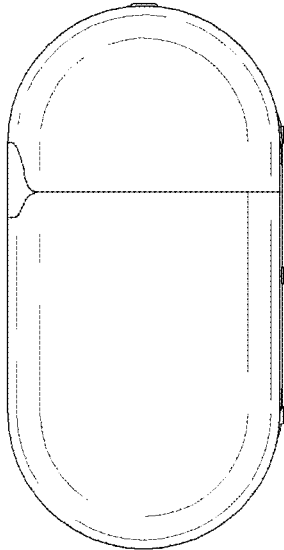


FIG. 15

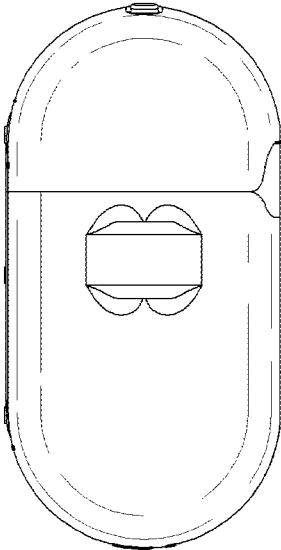


FIG. 16

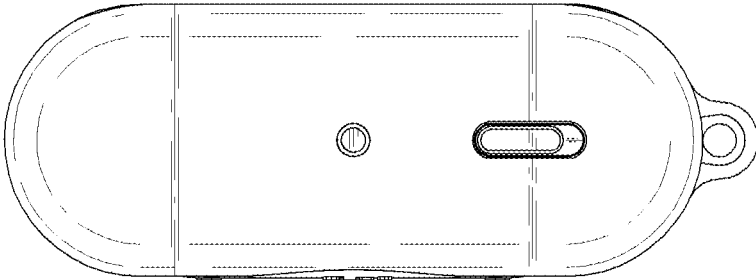


FIG. 17

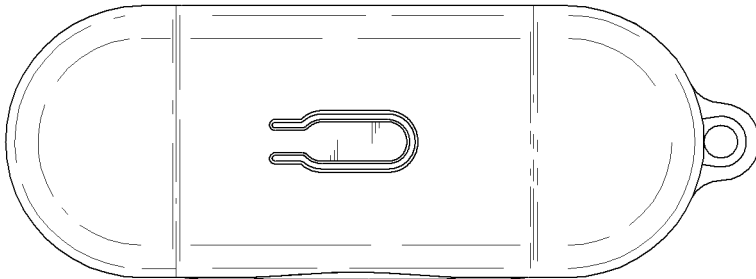


FIG. 18

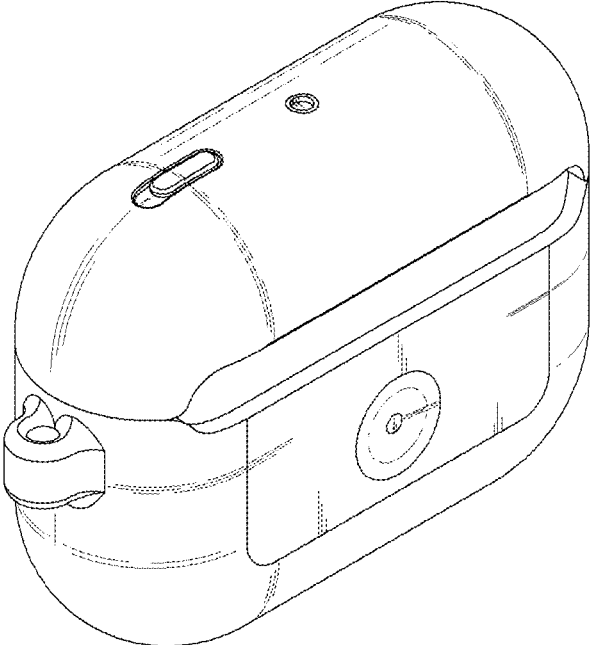


FIG. 19

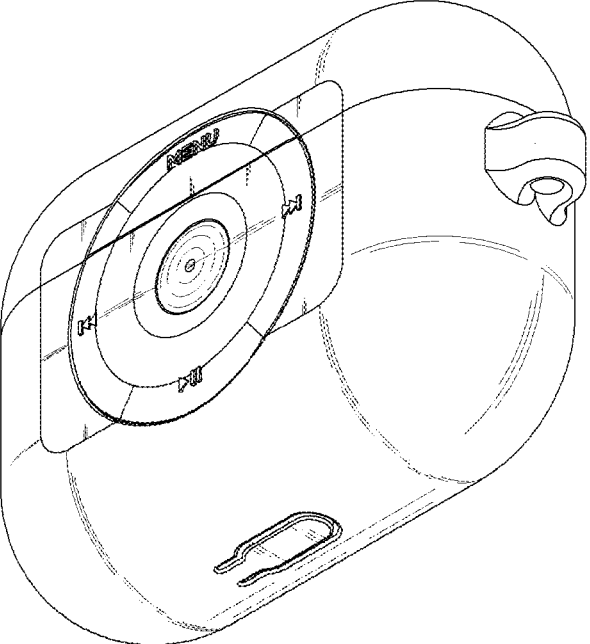


FIG. 20

